

Job Name: 25-1664 Springfield WWTP
 Job Location: Springfield, TN
 Contractor: Smith Contractors, Inc.

Plant: Beaver Dam

Tech: J. Coppage

12/17/2025 2:35:15 PM

PC: C. Goff



Structure ID: OCS (Detention Pond)

P1 BX4848-08BA36

BOX BASE 8inW, 8inF

P2) 48" x 48" - CASTING HEIGHT - 0"
 P1) 48" x 48" - BOX BASE 8inW, 8inF - 36"

- 1) CASTING - TRASHRACKS LFS-4848-P SQ. Flush Mount Grate
- 1) 48" x 48" - Conseal CS-102 1.00"
- 1) DOGHOUSE INVRTD - 40"x40"
- 3) Orifice - 6"

Structure Notes:
 1. TRASHRACK LFG-4848-P PROVIDED BY ICAST.
 2. PER ASTM C913 SPECIFICATIONS.
 3. CONCRETE = 4,000 PSI AT 28 DAYS.
 4. REINFORCING PER ASTM A615 (GRADE 60).
 - WALLS (As .12) #5 BARS AT 12" C.C.E.W.
 - FLOOR (As .12) #5 BARS AT 12" C.C.E.W.

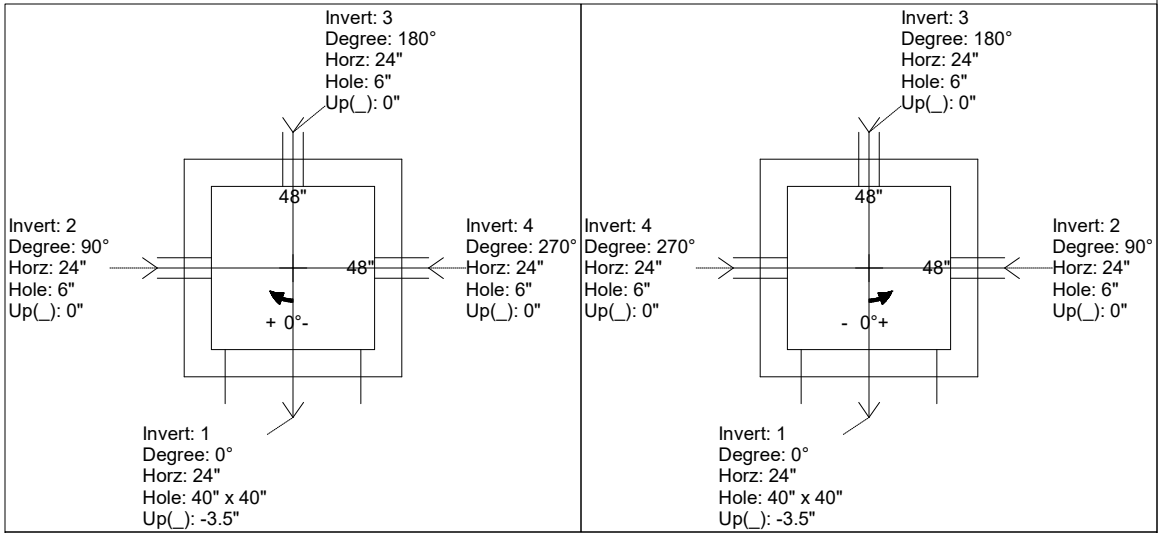
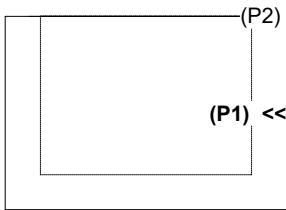
Structure Total: 7450 lb

Rim: 514.5' Rim to Invert: 3' Slack: 0" Sump: 0" Step Position: 0°

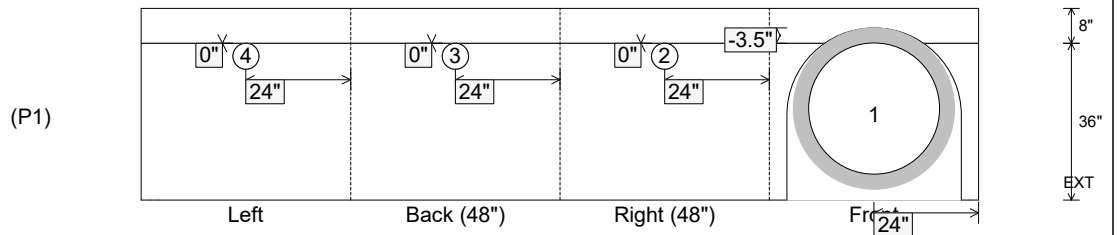
Position	Elev	Angle	Ext. (cw)	Pipe	Pipe OD	Connector	Hole	Horz Size	Up ()	Offset
Invert 1	511.5'	0°	32"	30" RCP B WALL	37"	DOGHOUSE INVRTD 40"x40"	40" x 40"	40"	-3.5"	0"
Invert 2	511.5'	90°	32"	6" Orifice	6"	Orifice 6"	6"	6"	0"	0"
Invert 3	511.5'	180°	32"	6" Orifice	6"	Orifice 6"	6"	6"	0"	0"
Invert 4	511.5'	270°	32"	6" Orifice	6"	Orifice 6"	6"	6"	0"	0"
Invert 5										
Invert 6										
Invert 7										
Invert 8										

RIGHT-SIDE UP VIEW (int. dimensions)

UPSIDE-DOWN VIEW (int. dimensions)



INSIDE WALL DIMENSIONS



Coating (Int):
 Coating (Ext):

Seam Up: Flat
 Seam Dn: n/a

Wall Thickness: 8"
 Floor Height: 8"

Height (Int): 36"
 Height (Ext): 44"

Weight (Net): 7161 lb
 Volume (Net): 1.83cu.yd