

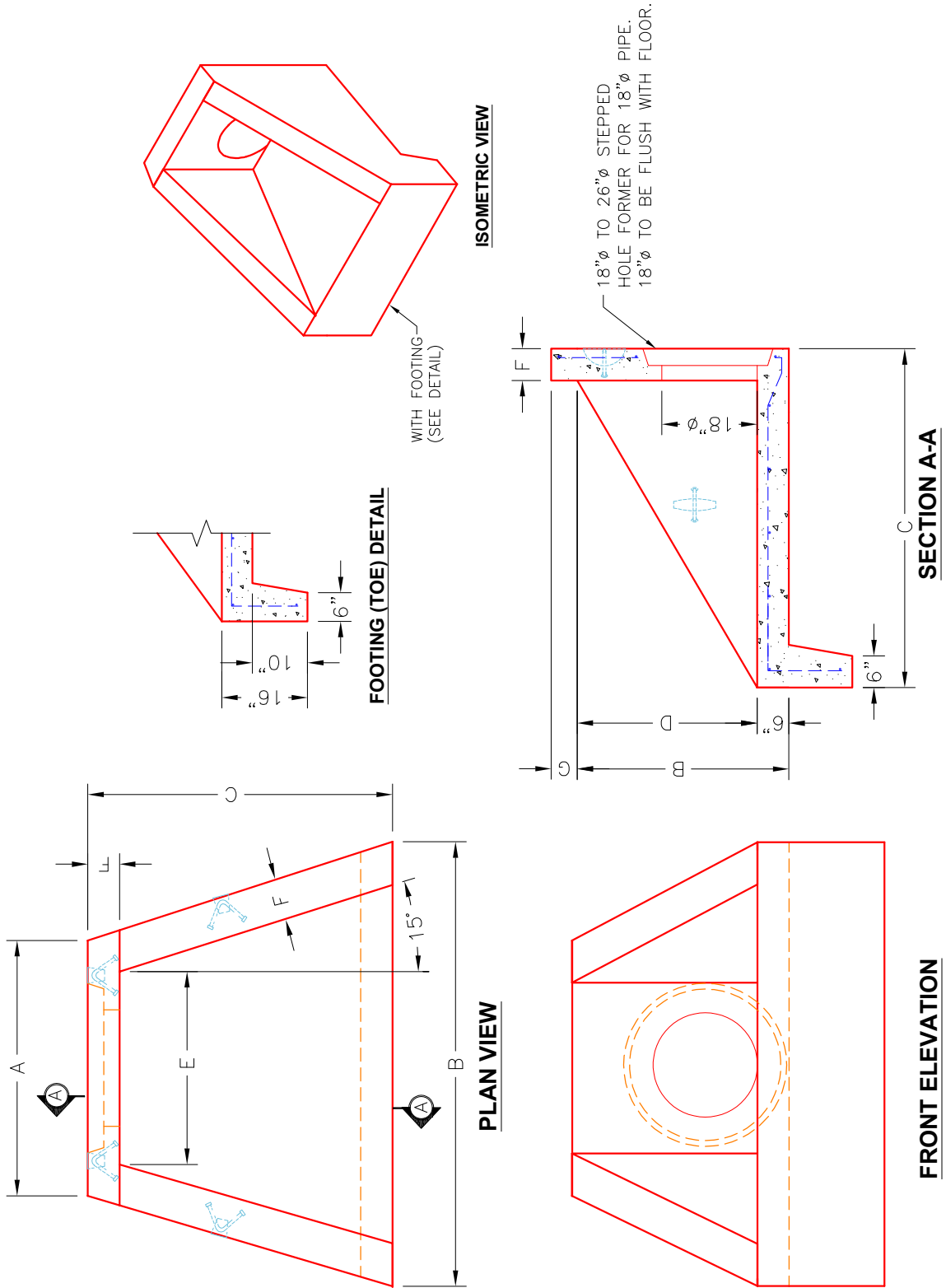


Structure ID: HW 8+50.00

P1 HAWW18

18" - HW AW w/FOOTER

DIMENSIONS & QUANTITIES									
TYPE	PIPE ϕ	A	B	C	D	E	F	G	WEIGHT W/TOE
AW	18"	2'-8"	4'-0"	2'-6"	2'-2"	2'-0"	6"	0"	1,630 LBS.



FRONT ELEVATION

- ~NOTES:
1. CONCRETE: 4500 PSI AT 28 DAYS MIN. STRENGTH.
 2. REINFORCING: #4 BAR @ 12" C/C E.W.-GRADE 60, (WITH 2" CONCRETE COVER MINIMUM)
 3. REINFORCING BARS TO BE TACK WELDED OR TIED.