

Job Name: 25-1664 Springfield WWTP
Job Location: Springfield, TN
Contractor: Smith Contractors, Inc.

PC: C. Goff
 TECH: J. Coppage
 Plant: Beaver Dam



Structure ID: HEADWORKS SAMPLE VAULT

Spec: Storm-Pipe Centered
 Type: BX 8inW, (Open Btm)
 Size: 36" x 36"

Rim: 3.58'
 Invert: 1.11'
 Rim to Invert: 2.47'

Sump: 13.32"
 Floor (Top): 0'
 Floor Height: 0"

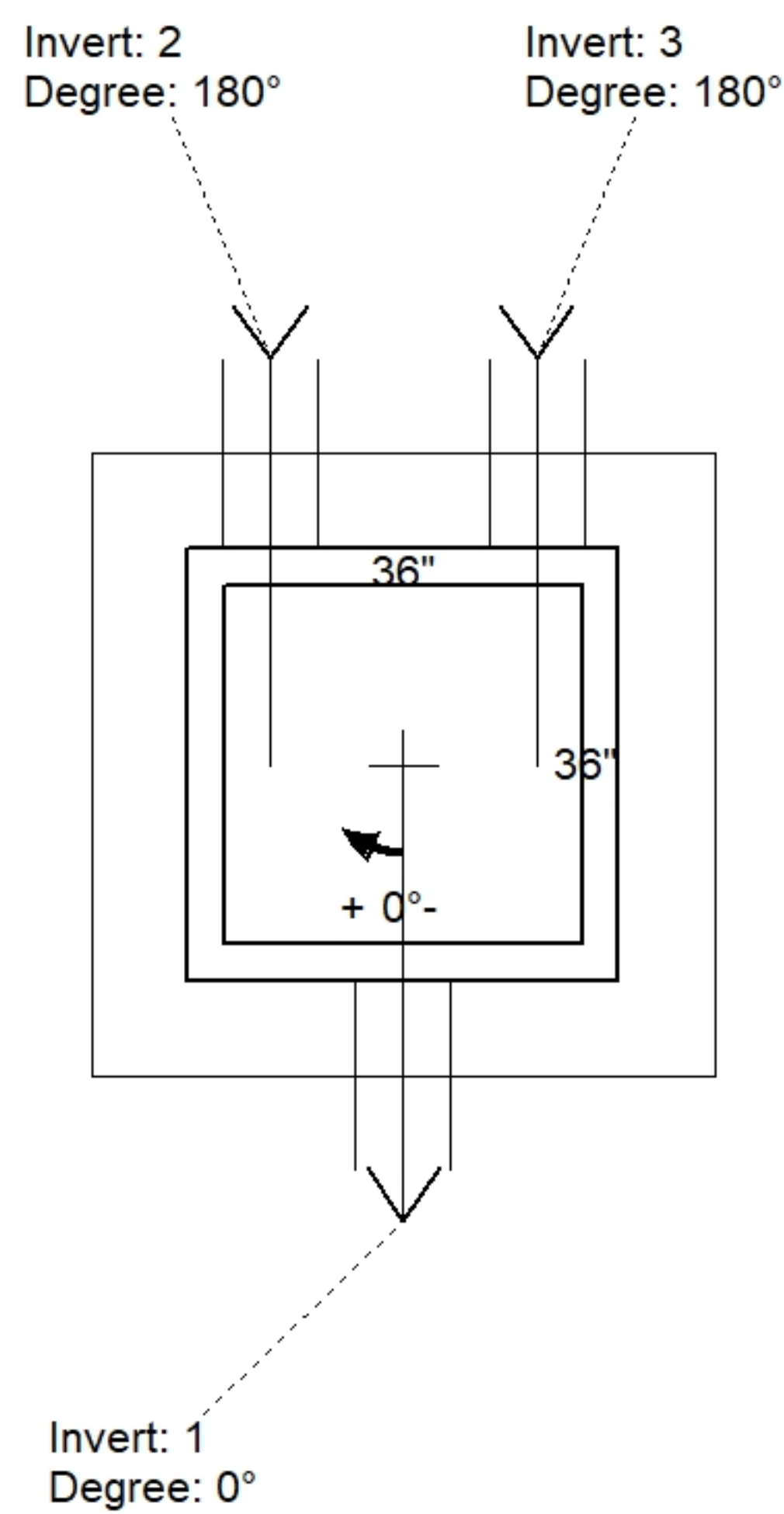
Floor (Bot): 0'
 Overall Height: 3.583'
 Slack: -0.04"

Structure Notes:

1. MANUFACTURED TO ASTM C-913.
2. CONCRETE: 5,000 PSI AT 28 DAYS
3. REINFORCING: PER ASTM A615 (GRADE 60)
4. (30" X 30" HATCH PROVIDED BY OTHERS)
5. HATCH TO BE CAST INTO THE TOP SLAB.

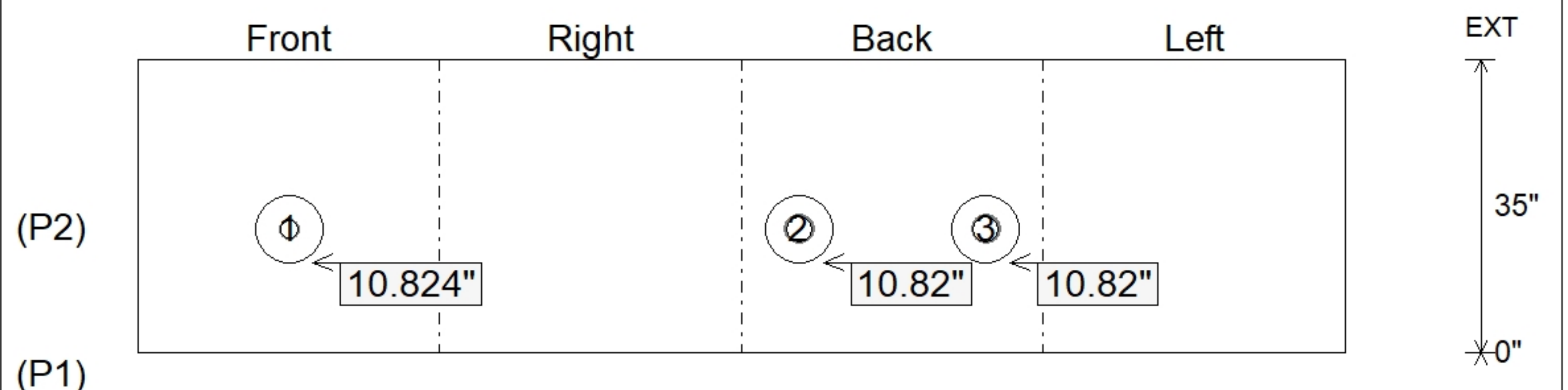
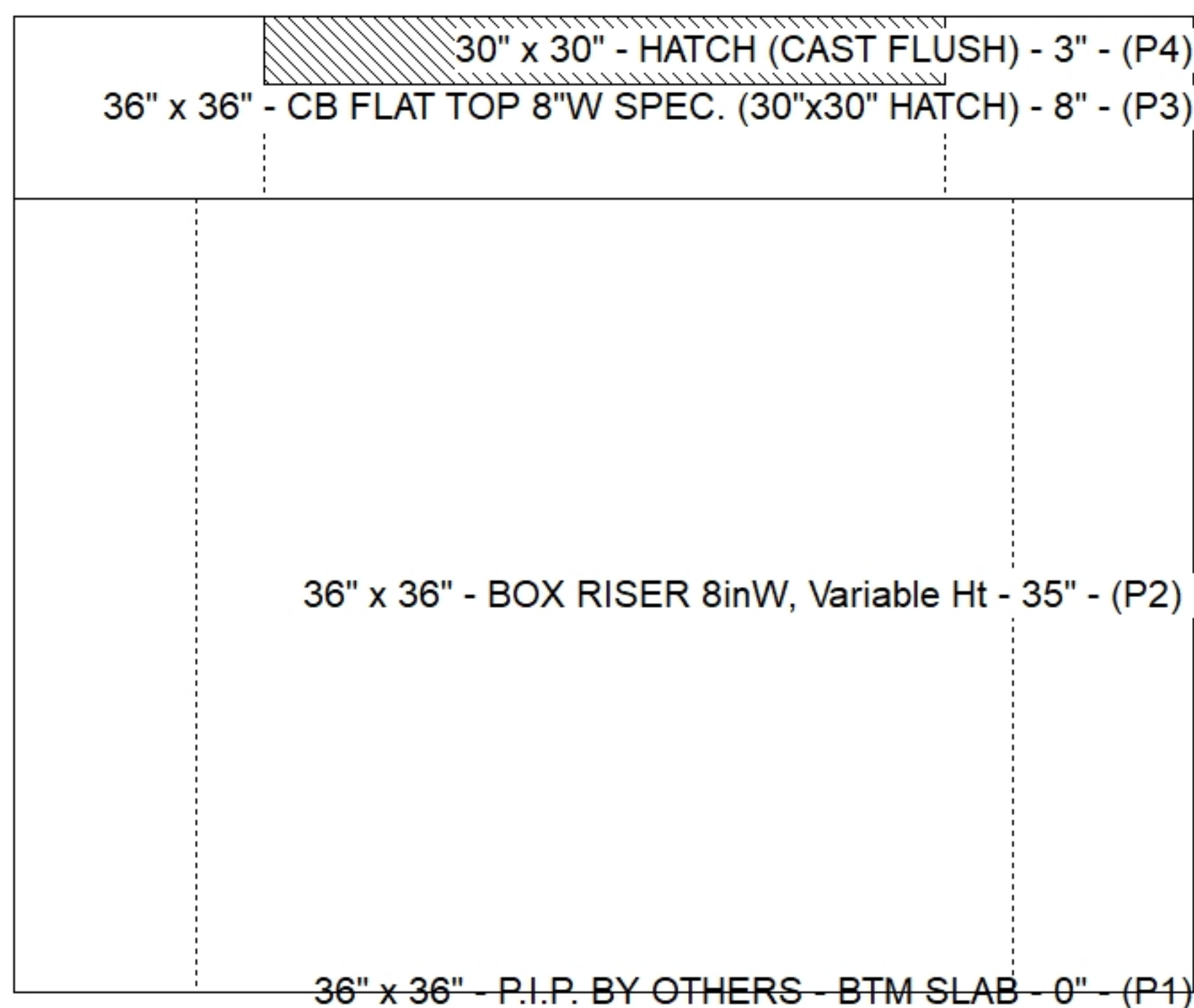
STRUCTURE SUMMARY:

P4) 30" x 30" - HATCH (CAST FLUSH) - 3"	100 lb
P3) 36" x 36" - CB FLAT TOP 8"W SPEC. (30"x30" HATCH) - 8"	1215 lb
P2) 36" x 36" - BOX RISER 8inW, Variable Ht - 35"	4034 lb
P1) 36" x 36" - P.I.P. BY OTHERS - BTM SLAB - 0"	0 lb
1) 36" x 36" - Conseal CS-102 1.00"	0 lb
3) PSX - 8QRS-S NYLO	20 lb
Structure Total:	5368 lb



Position	Elev	Angle	Pipe	Pipe OD	Hole	Connector	Up (")	Ref
Rim	3.58'							
Reducer								
Invert 1	1.15'	0°	2" PVC SCH40	2.375"	8"	PSX 8QRS-S NYLO	10.824"	P2
Invert 2	1.11'	180°	3" DI	3.5"	8"	PSX 8QRS-S NYLO	10.82"	P2
Invert 3	1.11'	180°	3" DI	3.5"	8"	PSX 8QRS-S NYLO	10.82"	P2
Invert 4								
Invert 5								
Invert 6								
Invert 7								
Invert 8								

Default - Interior Dimensions



Submittal Drawing
 3/20/2026 10:27:41 AM

SUBMITTAL
 APPROVED BY: