

Job Name: 25-1664 Springfield WWTP Job Location: Springfield, TN Contractor: Smith Contractors, Inc.	Plant: Beaver Dam 3/20/2026 10:27:52 AM	Tech: J. Coppage PC: C. Goff	
--	--	---------------------------------	--

**Structure ID: FILTER-UV SAMPLE VAULT**

**P1 P.I.P. BY OTHERS - BTM SLAB**

P4) 30" x 30" - HATCH (CAST FLUSH) - 3"	100 lb
P3) 36" x 36" - CB FLAT TOP 8"W SPEC. (30"x30" HATCH) - 8"	1215 lb
P2) 36" x 36" - BOX RISER 8inW, Variable Ht - 47"	5452 lb
P1) 36" x 36" - P.I.P. BY OTHERS - BTM SLAB - 0"	0 lb
1) 36" x 36" - Conseal CS-102 1.00"	0 lb
3) PSX - 8QRS-S NYLO	20 lb
Structure Total:	6786 lb

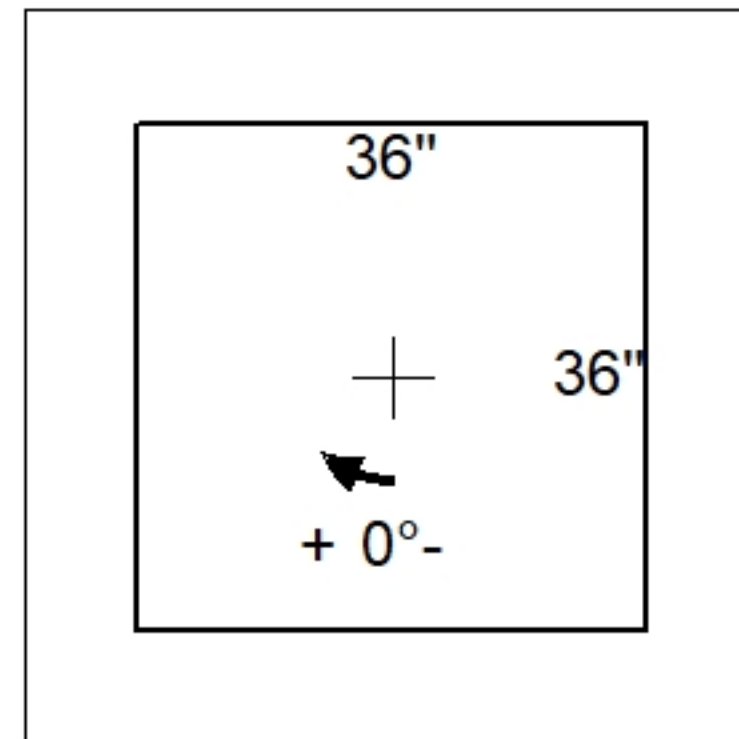
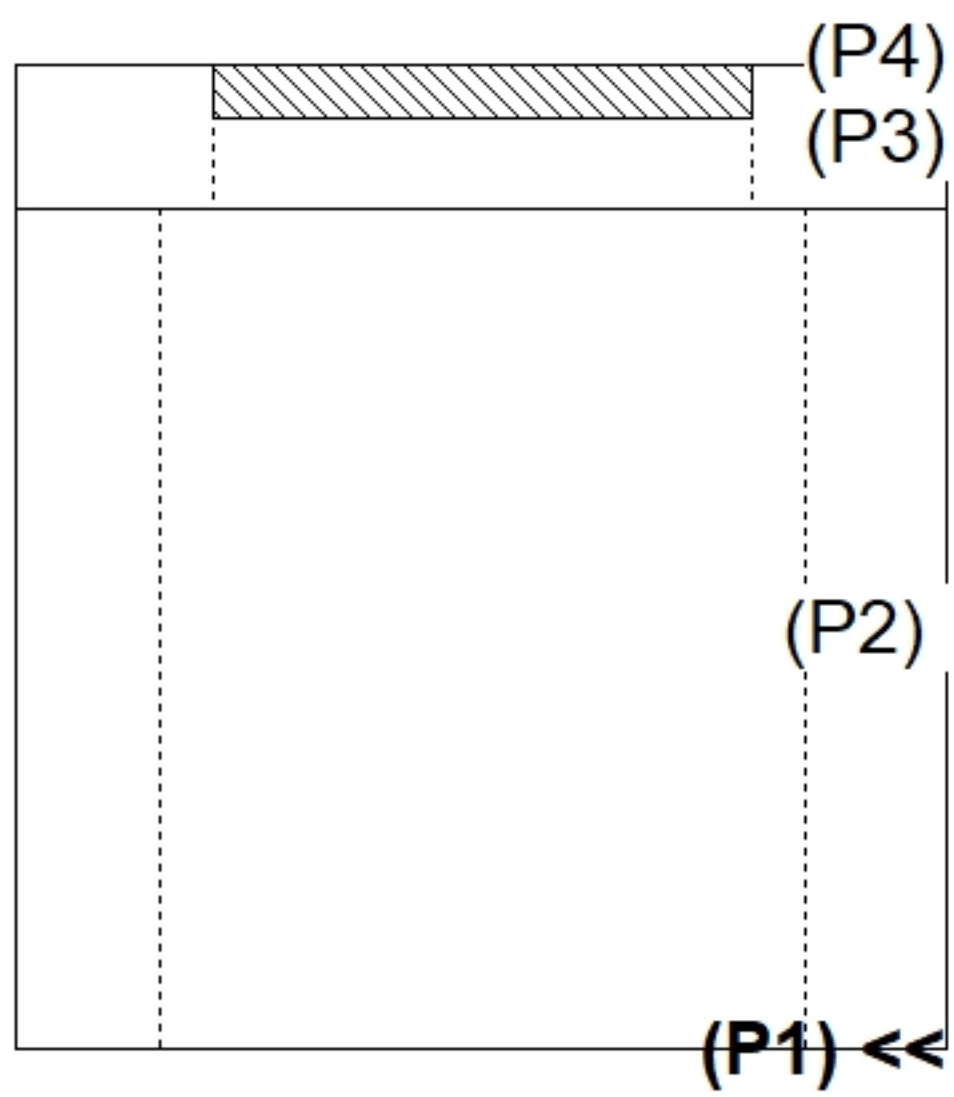
- Structure Notes:
1. MANUFACTURED TO ASTM C-913.
  2. CONCRETE: 5,000 PSI AT 28 DAYS
  3. REINFORCING: PER ASTM A615 (GRADE 60)
  4. (30" X 30" HATCH PROVIDED BY OTHERS)
  5. HATCH TO BE CAST INTO THE TOP SLAB.

Rim: 4.58' Rim to Invert: 3.29' Slack: -0.04" Sump: 15.48" Step Position:

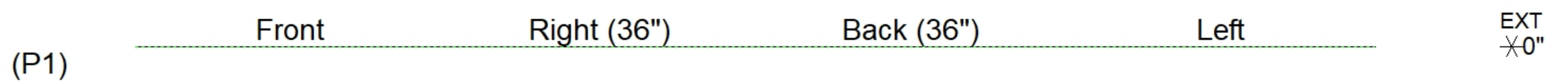
Position	Elev	Angle	Ext. (cw)	Pipe	Pipe OD	Connector	Hole	Horz Size	Up (L)	Offset
Invert 1										
Invert 2										
Invert 3										
Invert 4										
Invert 5										
Invert 6										
Invert 7										
Invert 8										

RIGHT-SIDE UP VIEW (int. dimensions)

UPSIDE-DOWN VIEW (int. dimensions)



INSIDE WALL DIMENSIONS



Coating (Int): Coating (Ext):	Seam Up: Flat Seam Dn: n/a	Wall Thickness: 8" Floor Height: 0"	Height (Int): 0" Height (Ext): 0"	Weight (Net): 0 lb Volume (Net): 0cu.yd
----------------------------------	-------------------------------	--	--------------------------------------	--