

Job Name: 25-1664 Springfield WWTP
Job Location: Springfield, TN
Contractor: Smith Contractors, Inc.

PC: C. Goff
 TECH: J. Coppage
 Plant: Beaver Dam



Structure ID: FILTER-UV PUMP STATION

Spec: Sanitary-Xypex
 Type: Manhole
 Size: 72"

Rim: 516.75'
 Invert: 511'
 Rim to Invert: 5.75'

Sump: 48"
 Floor (Top): 507'
 Floor Height: 12"

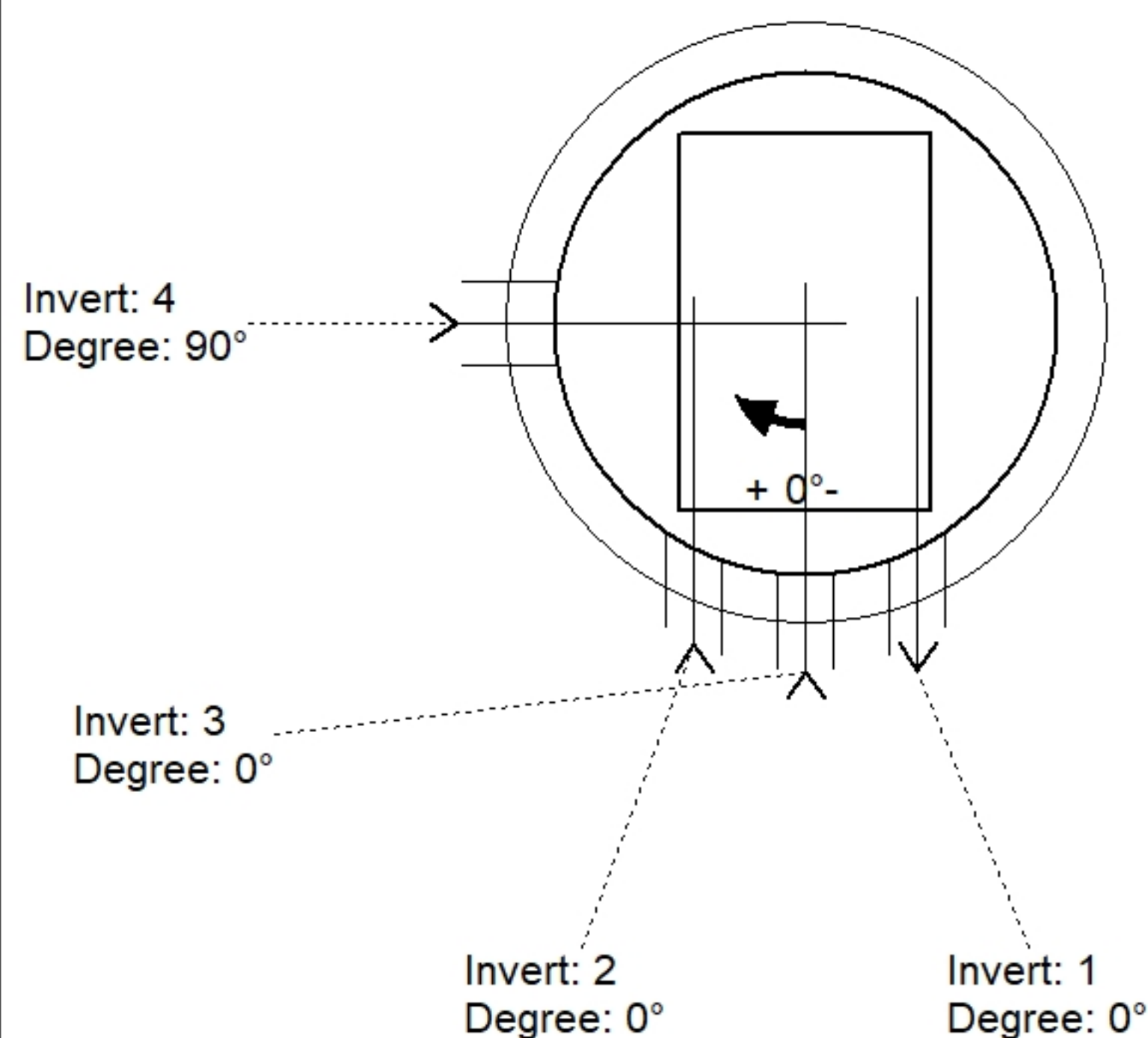
Floor (Bot): 506'
 Overall Height: 10.75'
 Slack: 0"

Structure Notes:

- PER ASTM C-478 LATEST REVISION
- CONCRETE = 5,000 PSI AT 28 DAYS
- XYPEX ADMIXTURE REQUIRED
- REINFORCEMENT: PER ASTM A615 (GRADE 60)
 - TOP SLAB
 - TOP LAYER (As .31) #4 BARS AT 18" C.C.E.W.
 - BTM LAYER (As .31) #4 BARS AT 12" C.C.E.W.
 - RISER/WALLS (As .12)
 - FLOOR (As .37) #5 BARS AT 10" C.C.E.W. DBL MAT
- (36" X 54" HATCH PROVIDED BY OTHERS)
- HATCH TO BE CAST INTO THE TOP SLAB.

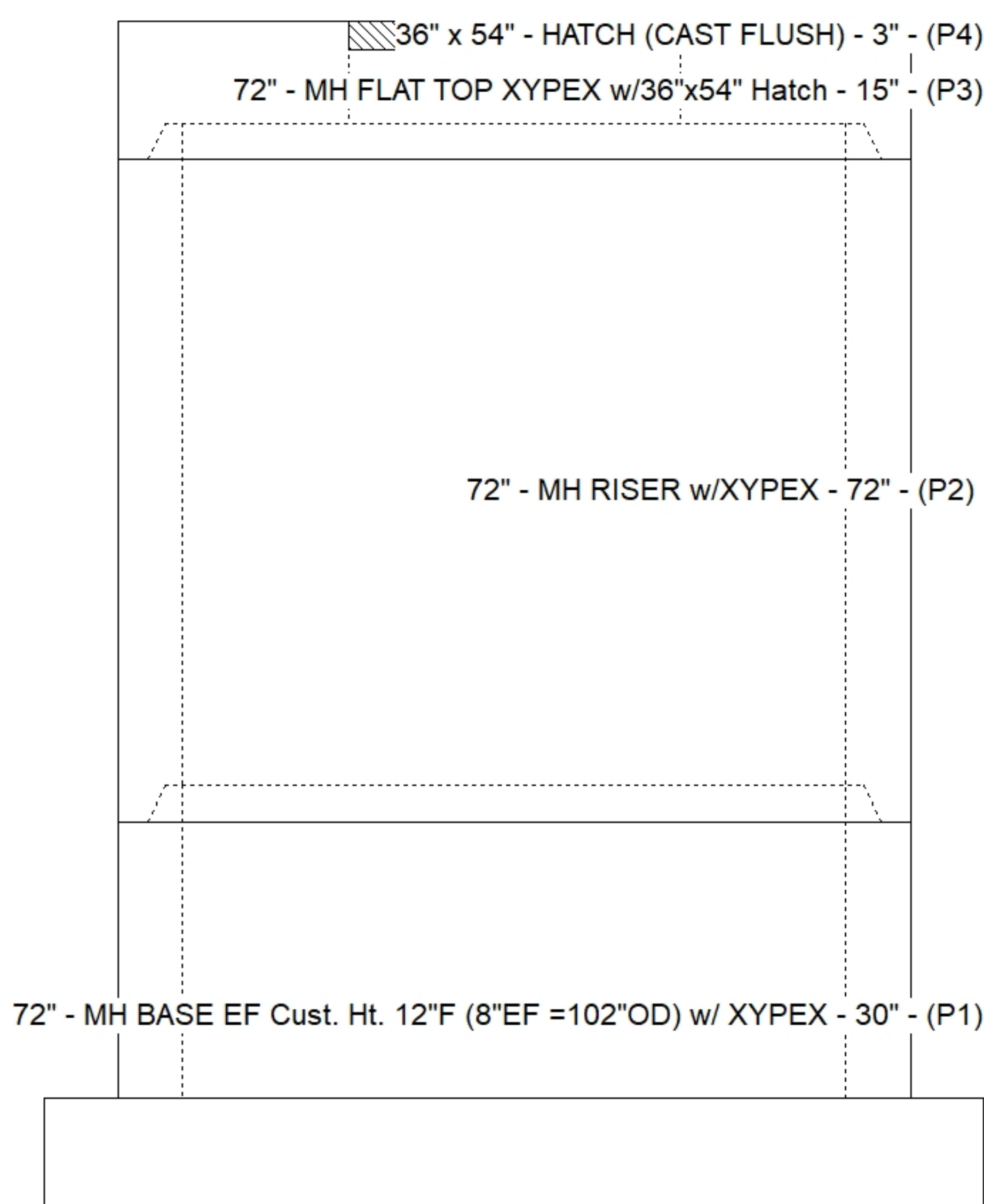
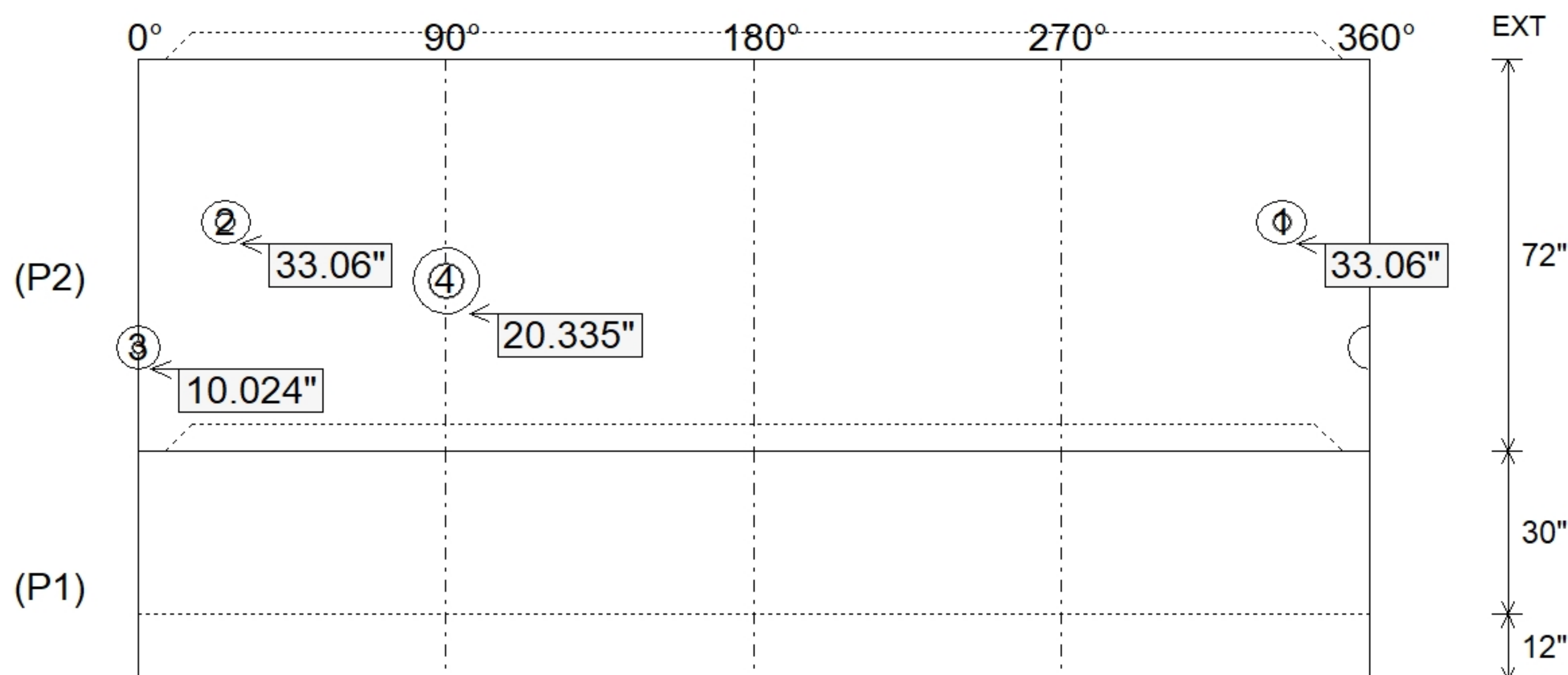
STRUCTURE SUMMARY:

P4) 36" x 54" - HATCH (CAST FLUSH) - 3"	100 lb
P3) 72" - MH FLAT TOP XYPEX w/36"x54" Hatch - 15"	3625 lb
P2) 72" - MH RISER w/XYPEX - 72"	10335 lb
P1) 72" - MH BASE EF Cust. Ht. 12"F (8"EF =102"OD) w/ XYPEX - 30"	12601 lb
1) SECONDARY POUR - EXT. FLANGE	0 lb
2) 72" - Conseal CS-231 1.00" (Double)	0 lb
1) 36" x 54" - Conseal CS-231 1.00" (Double)	0 lb
3) PSX - 8QRS-S NYLO	20 lb
1) PSX - 12-06 NYLO	8 lb
Structure Total:	26689 lb



Position	Elev	Angle	Pipe	Pipe OD	Hole	Connector	Up ()	Ref
Rim	516.75'							
Reducer								
Invert 1	512.88'	0°	3" DI	3.5"	8"	PSX 8QRS-S NYLO	33.06"	P2
Invert 2	512.88'	0°	3" DI	3.5"	8"	PSX 8QRS-S NYLO	33.06"	P2
Invert 3	511'	0°	2" PVC SCH40	2.375"	8"	PSX 8QRS-S NYLO	10.024"	P2
Invert 4	511.86'	90°	6" PVC SCH40	6.625"	12"	PSX 12-06 NYLO	20.335"	P2
Invert 5								
Invert 6								
Invert 7								
Invert 8								

Default - Interior Dimensions



Submittal Drawing
 3/20/2026 10:27:42 AM

SUBMITTAL
 APPROVED BY: