

Job Name: 25-1664 Springfield WWTP
Job Location: Springfield, TN
Contractor: Smith Contractors, Inc.

PC: C. Goff
 TECH: J. Coppage
 Plant: Beaver Dam



Structure ID: **CC-SSMH-0+20.00**

Spec: Sanitary-Xypex
 Type: Transition Manhole
 Size: 96"

Rim: 511.3'
 Invert: 492.4'
 Rim to Invert: 18.9'

Sump: 3"
 Floor (Top): 492.15'
 Floor Height: 13"

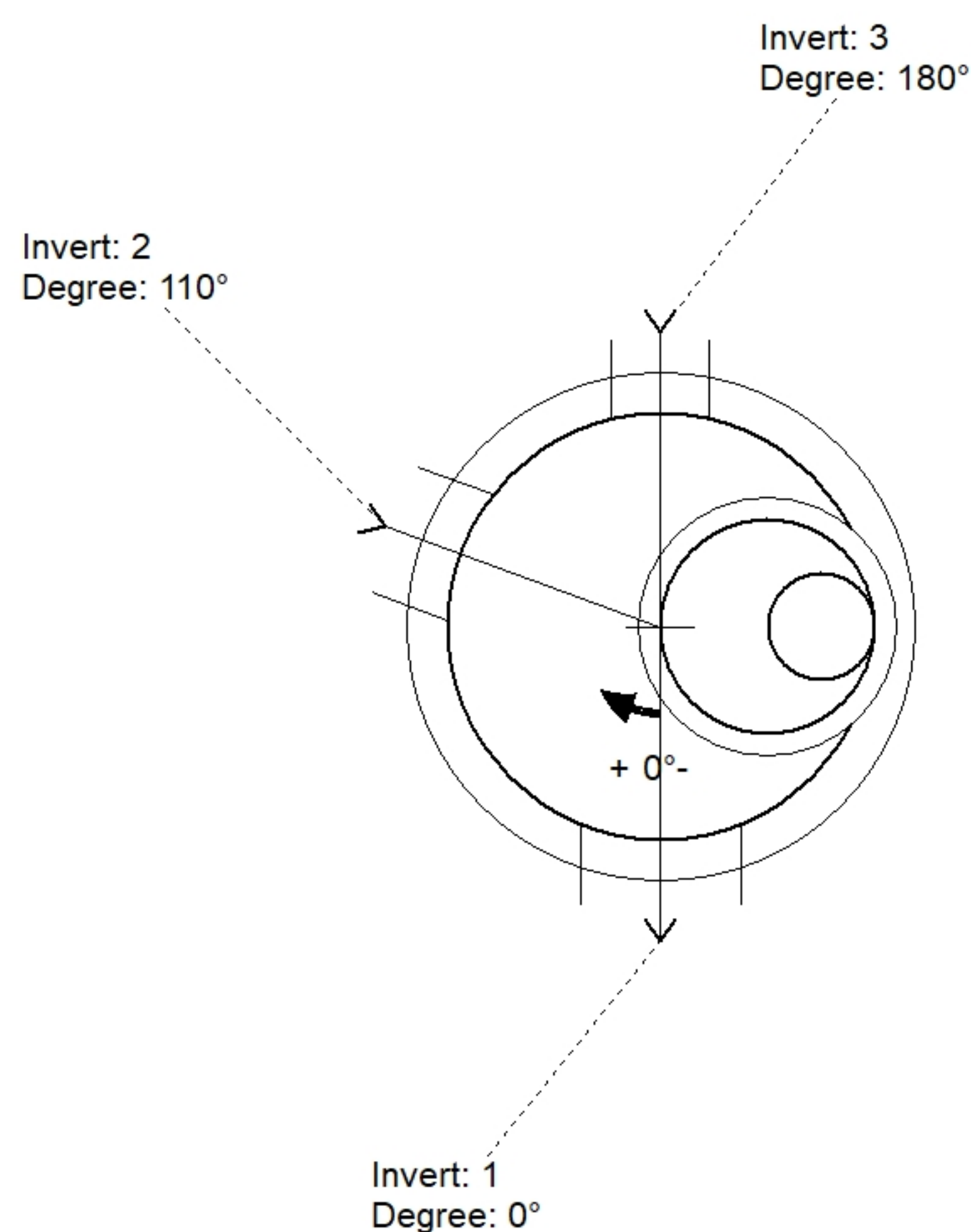
Floor (Bot): 491.067'
 Overall Height: 20'
 Slack: 2.8"

Structure Notes:

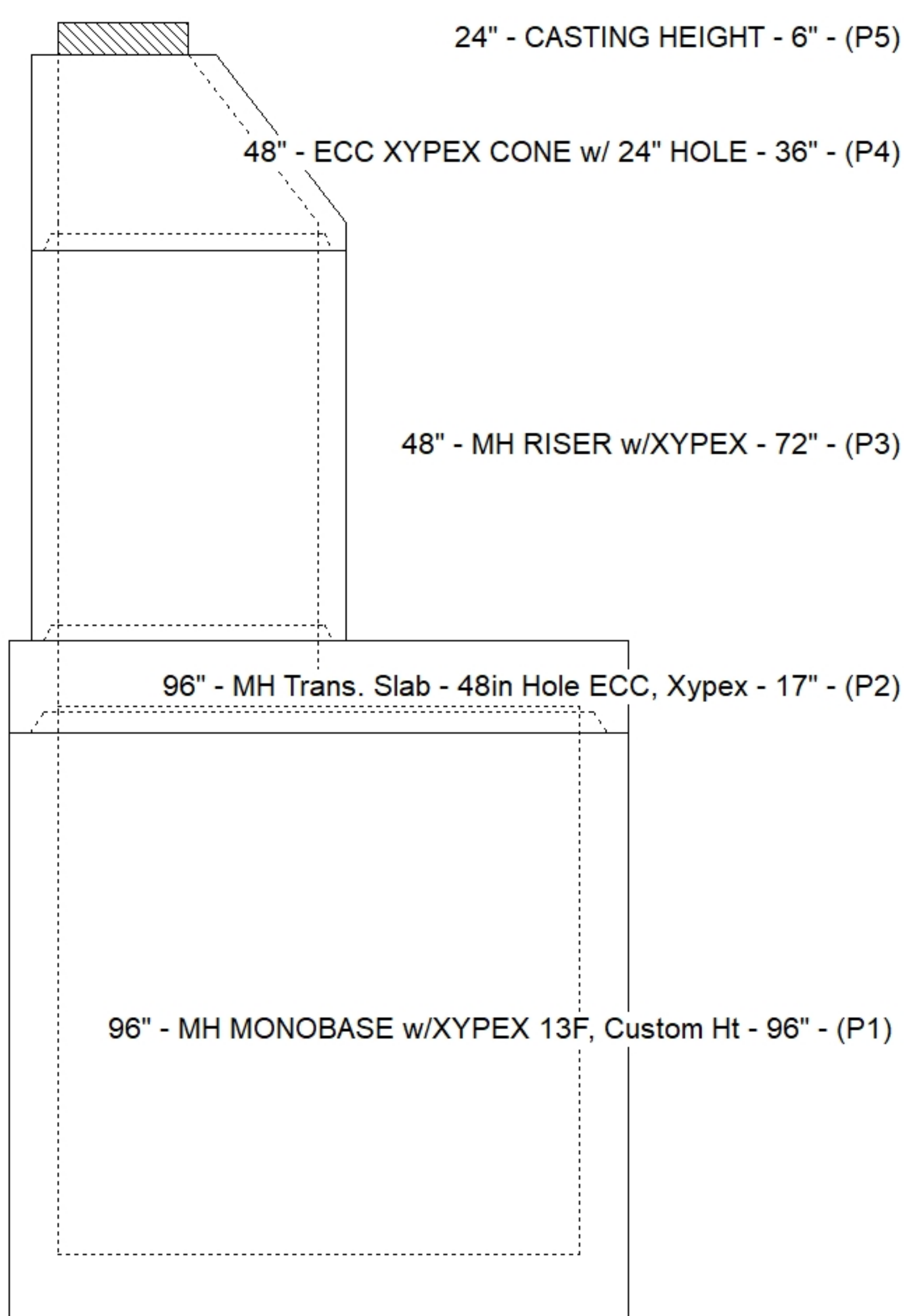
1. JBS-1155 BDWT SANITARY BY ICAST.
 2. PER ASTM C478 SPECIFICATIONS.
 3. CONCRETE = 4,000 PSI AT 28 DAYS.
 4. REINFORCING PER ASTM A615 (GRADE 60).
- CONE (As .12)
 - TRANS. SLAB - AS SHOWN BY WINFORD PETRONE
 - RISER/WALLS (As .18)
 - FLOOR - AS SHOWN BY WINFORD PETRONE

STRUCTURE SUMMARY:

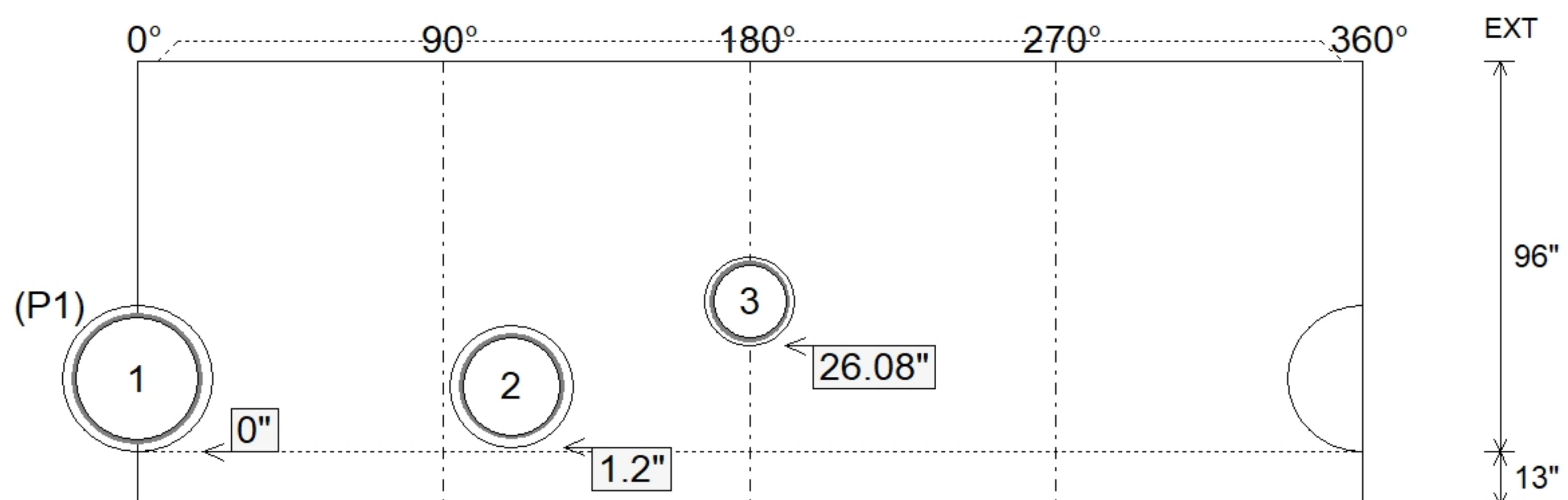
P5)	24" - CASTING HEIGHT - 6"	0 lb
P4)	48" - ECC XYPEX CONE w/ 24" HOLE - 36"	2251 lb
P3)	48" - MH RISER w/XYPEX - 72"	5030 lb
P2)	96" - MH Trans. Slab - 48in Hole ECC, Xypex - 17"	9251 lb
P1)	96" - MH MONOBASE w/XYPEX 13F, Custom Ht - 96"	33434 lb
1)	JOINT WRAP - 0.065"x6"x50' CONSEAL CS212	0 lb
1)	JOINT WRAP PRIMER - CONSEAL CS-75 (1 gal.)	0 lb
1)	SECONDARY POUR - Floor	0 lb
1)	96" - Conseal CS-102 1.00" (Double)	0 lb
2)	48" - Conseal CS-102 1.00" (Double)	0 lb
1)	Kor-N-Seal2 - S206-36	6 lb
1)	Kor-N-Seal2 - S206-30	6 lb
1)	Kor-N-Seal2 - S206-22L	6 lb
	513.44 SqFt) MASTERSEAL 610 - Two Coats [EXT]	0 lb
Structure Total:		49985 lb



Position	Elev	Angle	Pipe	Pipe OD	Hole	Connector	Up (")	Ref
Rim	511.3'							
Reducer	500.15'							
Invert 1	492.4'	0°	30" DI	32"	36"	Kor-N-Seal2 S206-36	0"	P1
Invert 2	492.5'	110°	24" DI	25.75"	30"	Kor-N-Seal2 S206-30	1.2"	P1
Invert 3	494.49'	180°	18" DI	19.5"	22"	Kor-N-Seal2 S206-22L	26.08"	P1
Invert 4								
Invert 5								
Invert 6								
Invert 7								
Invert 8								



Default - Interior Dimensions



Submittal Drawing
 2/3/2026 8:57:22 AM

SUBMITTAL
 APPROVED BY: