

**Job Name: 25-1664 Springfield WWTP**  
**Job Location: Springfield, TN**  
**Contractor: Smith Contractors, Inc.**

PC: C. Goff  
 TECH: J. Coppage  
 Plant: Beaver Dam



Structure ID: 4IN FMV AT FILTER U.V. P.S.

Spec: Storm-Pipe Centered  
 Type: BX 8inW, (Open Btm)  
 Size: 36" x 36"

Rim: 4.58'  
 Invert: 1.17'  
 Rim to Invert: 3.41'

Sump: 14.04"  
 Floor (Top): 0'  
 Floor Height: 0"

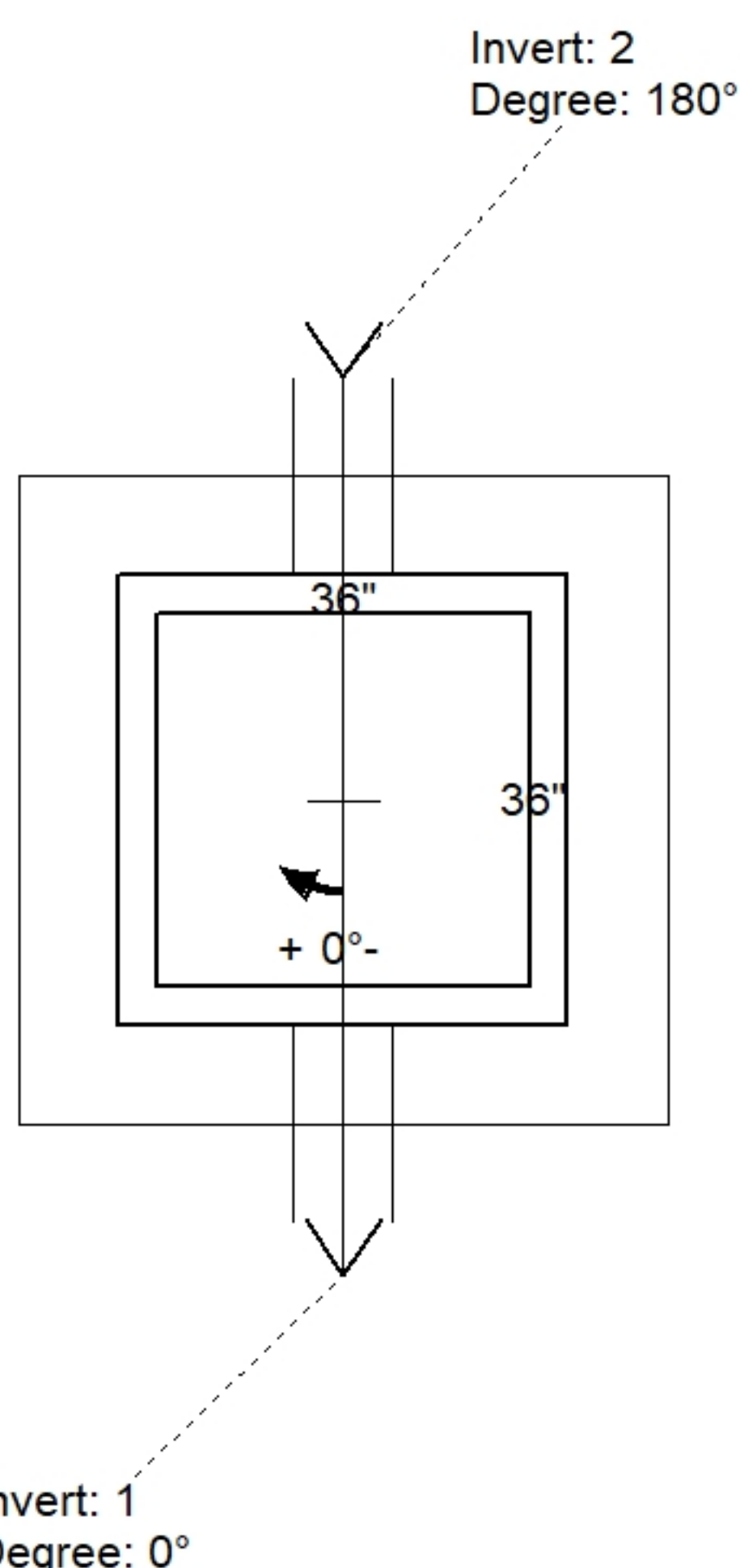
Floor (Bot): 0'  
 Overall Height: 4.583'  
 Slack: -0.04"

Structure Notes:

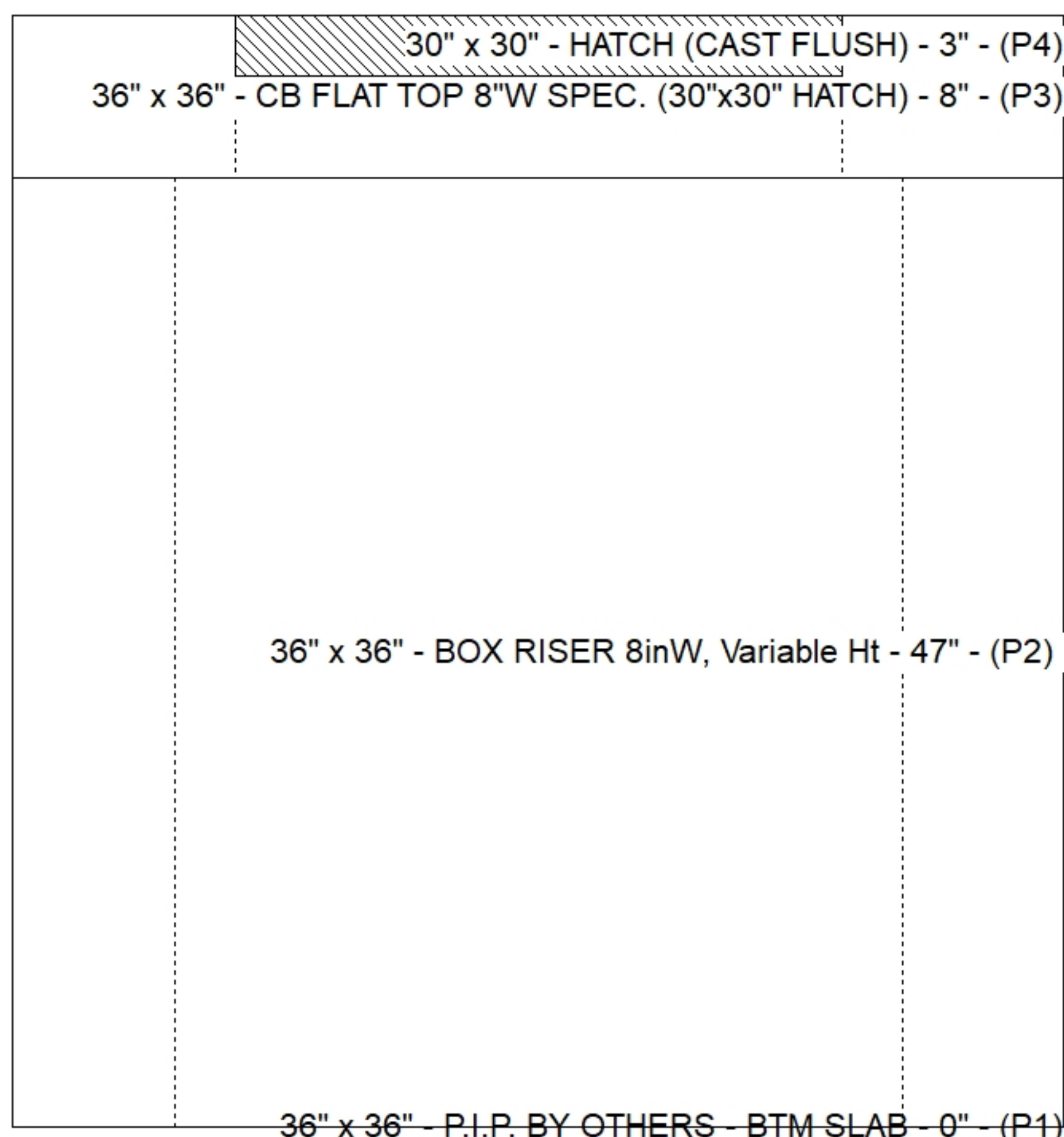
1. MANUFACTURED TO ASTM C-913.
2. CONCRETE: 5,000 PSI AT 28 DAYS
3. REINFORCING: PER ASTM A615 (GRADE 60)
4. (30" X 30" HATCH PROVIDED BY OTHERS)
5. HATCH TO BE CAST INTO THE TOP SLAB.

STRUCTURE SUMMARY:

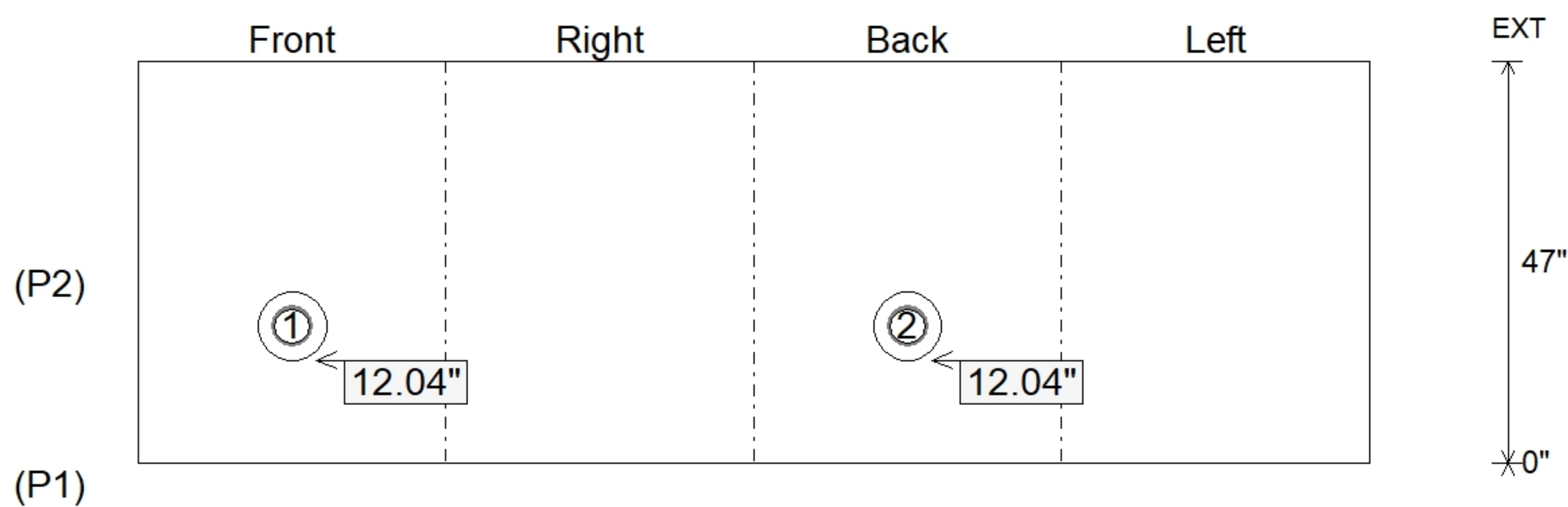
P4) 30" x 30" - HATCH (CAST FLUSH) - 3"	100 lb
P3) 36" x 36" - CB FLAT TOP 8"W SPEC. (30"x30" HATCH) - 8"	1215 lb
P2) 36" x 36" - BOX RISER 8inW, Variable Ht - 47"	5485 lb
P1) 36" x 36" - P.I.P. BY OTHERS - BTM SLAB - 0"	0 lb
1) 36" x 36" - Conseal CS-102 1.00"	0 lb
2) PSX - 8QRS-S NYLO	13 lb
	13 lb
Structure Total:	6813 lb



Position	Elev	Angle	Pipe	Pipe OD	Hole	Connector	Up (")	Ref
Rim	4.58'							
Reducer								
Invert 1	1.17'	0°	4" DI	4.75"	8"	PSX 8QRS-S NYLO	12.04"	P2
Invert 2	1.17'	180°	4" DI	4.75"	8"	PSX 8QRS-S NYLO	12.04"	P2
Invert 3								
Invert 4								
Invert 5								
Invert 6								
Invert 7								
Invert 8								



Default - Interior Dimensions



Submittal Drawing  
 3/20/2026 10:27:42 AM

SUBMITTAL  
 APPROVED BY: