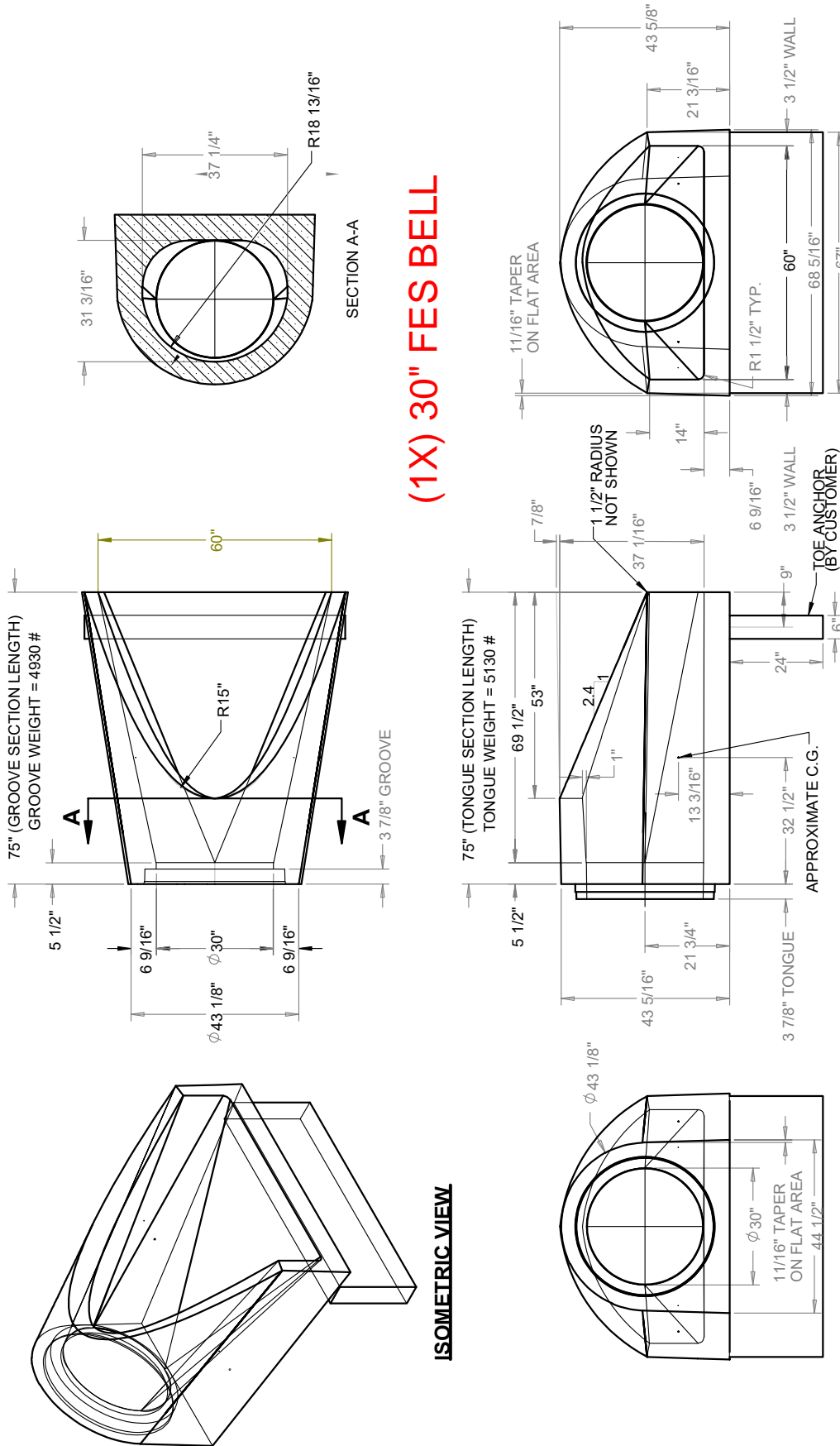




Structure ID: FES 100

P1 FES30B

30" - RCP FLARED END SECTION BELL (OUTLET)



30"Ø REINFORCED CONCRETE FLARED END SECTION (TYPE 2)

INFRASTRUCTURE PRECAST, INC.
 981 WEST 7TH ST., BEAVER DAM, KY. 42320
 PHONE: (270) 363-2236; FAX: (270) 298-7424

DRAWING DATE: SEPTEMBER 2, 2022
 DRAWING NAME: 30-FES-TYPE 2
 SCALE: NTS
 CATALOG I.D.: 30-RCP-FES
 WEB ADDRESS: WWW.ICASTINC.COM

- GENERAL NOTES:**
1. FLARED END SECTION IS MANUFACTURED AND TESTED IN ACCORDANCE WITH ASTM C-76 OR ASTM C-655 AND AASHTO M-170 SPECIFICATIONS.
 2. ALL PIPE JOINTS MEET ASTM C-443 AND C-361 SPECIFICATIONS.
 3. INSTALL REINFORCED CONCRETE PIPE PER ASTM C-1479-STANDARD PRACTICE FOR INSTALLATION OF PRECAST CONCRETE PIPE.
 4. FLARED END SECTION REINFORCING IS IN ACCORDANCE WITH ASTM C-76.
 5. WEIGHT SHOWN IS CALCULATED USING 150 LBS. PER CUBIC FT. UNIT WEIGHT OF CONCRETE.

THIS DRAWING IS THE PROPERTY OF INFRASTRUCTURE PRECAST, INC. ANY USE OR DUPLICATION OF THIS DRAWING WITHOUT PRIOR AUTHORIZATION IS STRICTLY PROHIBITED.