

Job Name: 25-1626 Junior Achievement Building
Job Location: Evansville, IN
Contractor: Russell's Excavating

PC: J.Jarvis
 TECH: C.Russ
 Plant: Beaver Dam



Structure ID: CI 201

Spec: Storm
 Type: BX 8inW, 8inF
 Size: 24" x 36"

Rim: 395.84'
 Invert: 392.41'
 Rim to Invert: 3.43'

Sump: 2.5"
 Floor (Top): 392.202'
 Floor Height: 8"

Floor (Bot): 391.535'
 Overall Height: 4.25'
 Slack: 0.66"

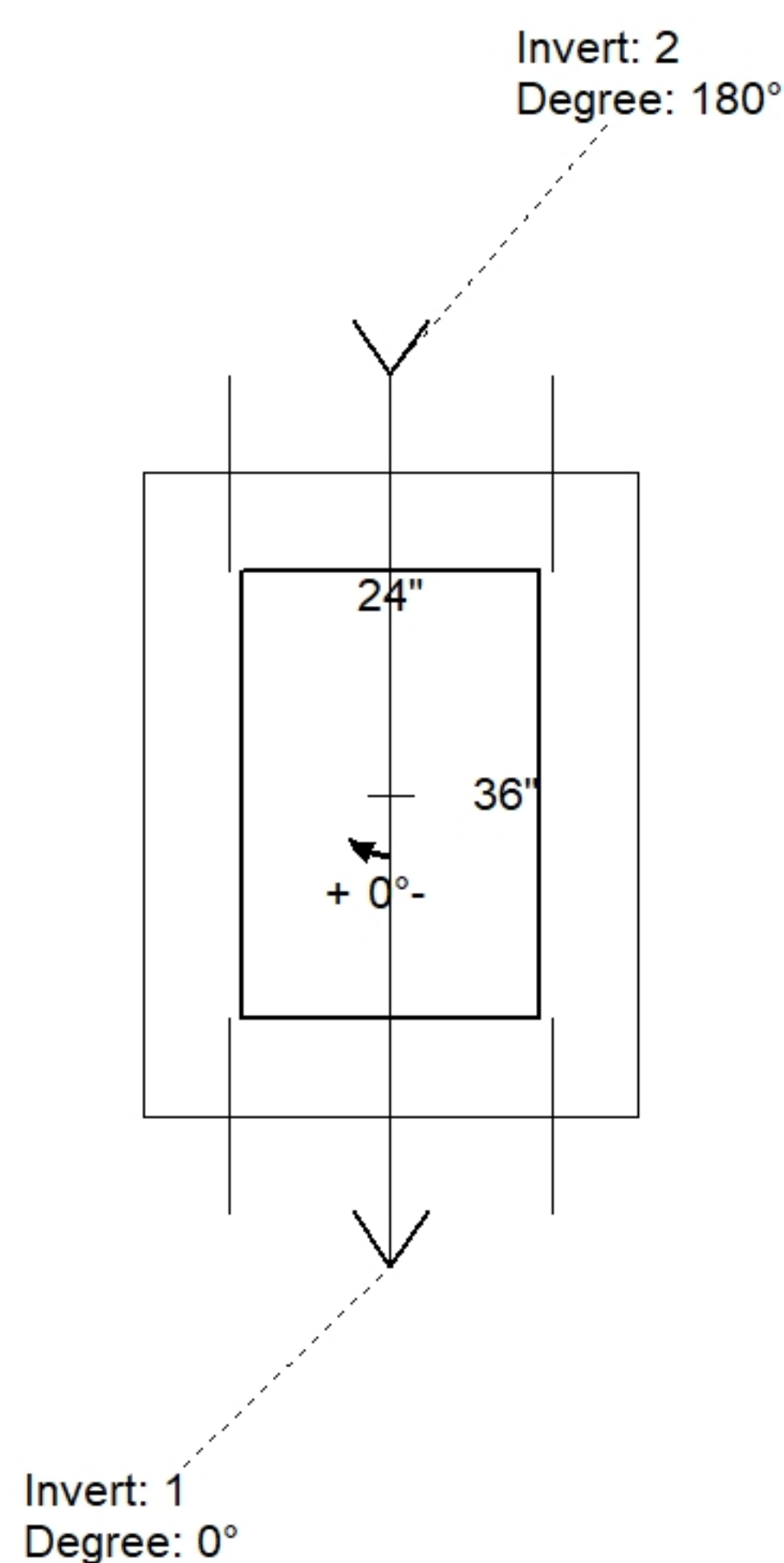
Structure Notes:

1. PER ASTM C913 SPECIFICATIONS.
2. CONCRETE = 4,000 PSI AT 28 DAYS.
3. NO INVERT CHANNEL.
4. HOE 525 SET PROVIDED BY ICAST

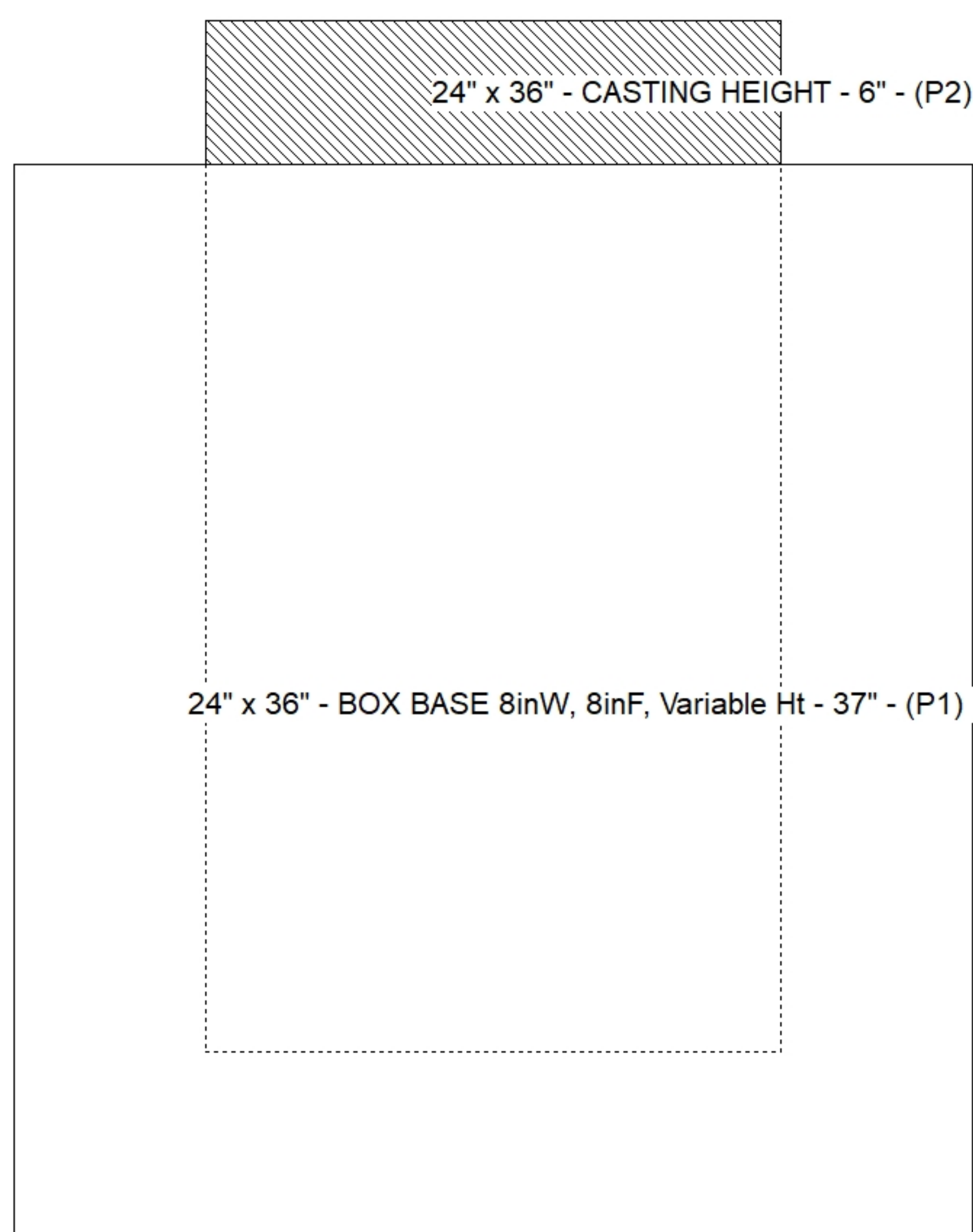
REINFORCING PER ASTM A615 (GRADE 60).
 - WALLS (As .31) #5 BARS AT 12" C.C.E.W.
 - FLOOR (As .31) #5 BARS AT 12" C.C.E.W.

STRUCTURE SUMMARY:

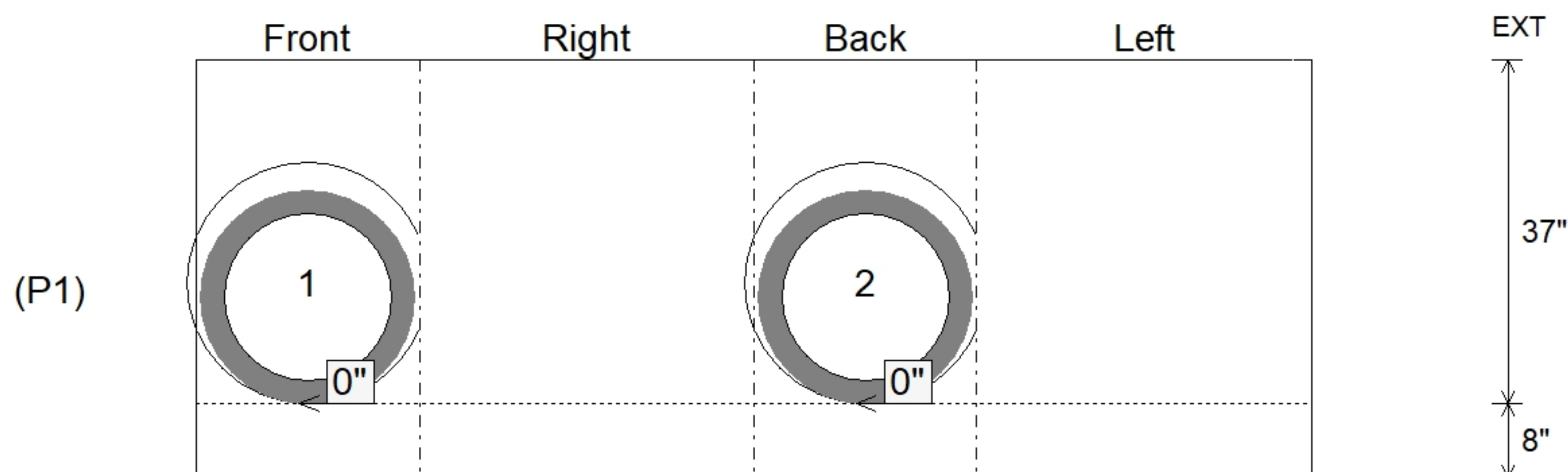
P2) 24" x 36" - CASTING HEIGHT - 6"	0 lb
P1) 24" x 36" - BOX BASE 8inW, 8inF, Variable Ht - 37"	4637 lb
1) 24" x 36" - SGL 1"x14.5' Butyl	0 lb
2) Hole - 26	0 lb
Structure Total:	4637 lb



Position	Elev	Angle	Pipe	Pipe OD	Hole	Connector	Up ()	Ref
Rim	395.84'							
Reducer								
Invert 1	392.41'	0°	18" RCP B WALL	23"	26"	Hole 26	0"	P1
Invert 2	392.41'	180°	18" RCP B WALL	23"	26"	Hole 26	0"	P1
Invert 3								
Invert 4								
Invert 5								
Invert 6								
Invert 7								
Invert 8								



Default - Interior Dimensions



Submittal Drawing
 11/18/2025 7:46:21 AM

SUBMITTAL
 APPROVED BY: