

Job Name: 25-1626 Junior Achievement Building
 Job Location: Evansville, IN
 Contractor: Russell's Excavating

Plant: Beaver Dam

Tech: C.Russ

11/10/2025 9:16:48 AM

PC: J.Jarvis



Structure ID: CI 104

P1 BX2436-08BVF

BOX BASE 8inW, 8inF, Variable Ht

- P2) 24" x 36" - CASTING HEIGHT - 6"
- P1) 24" x 36" - BOX BASE 8inW, 8inF, Variable Ht - 47"
- 1) 24" x 36" - SGL 1"x14.5' Butyl
- 1) Hole - 26
- 2) Hole - 20
- 1) Hole - 5
- 1) Hole - 16

- Structure Notes:
1. PER ASTM C913 SPECIFICATIONS.
 2. CONCRETE = 4,000 PSI AT 28 DAYS.
 3. NO INVERT CHANNEL.
 4. HOE 525 PROVIDED BY ICAST
 5. REINFORCING PER ASTM A615 (GRADE 60).
- WALLS (As .12) #5 BARS AT 12" C.C.E.W.
 - FLOOR (As .12) #5 BARS AT 12" C.C.E.W.

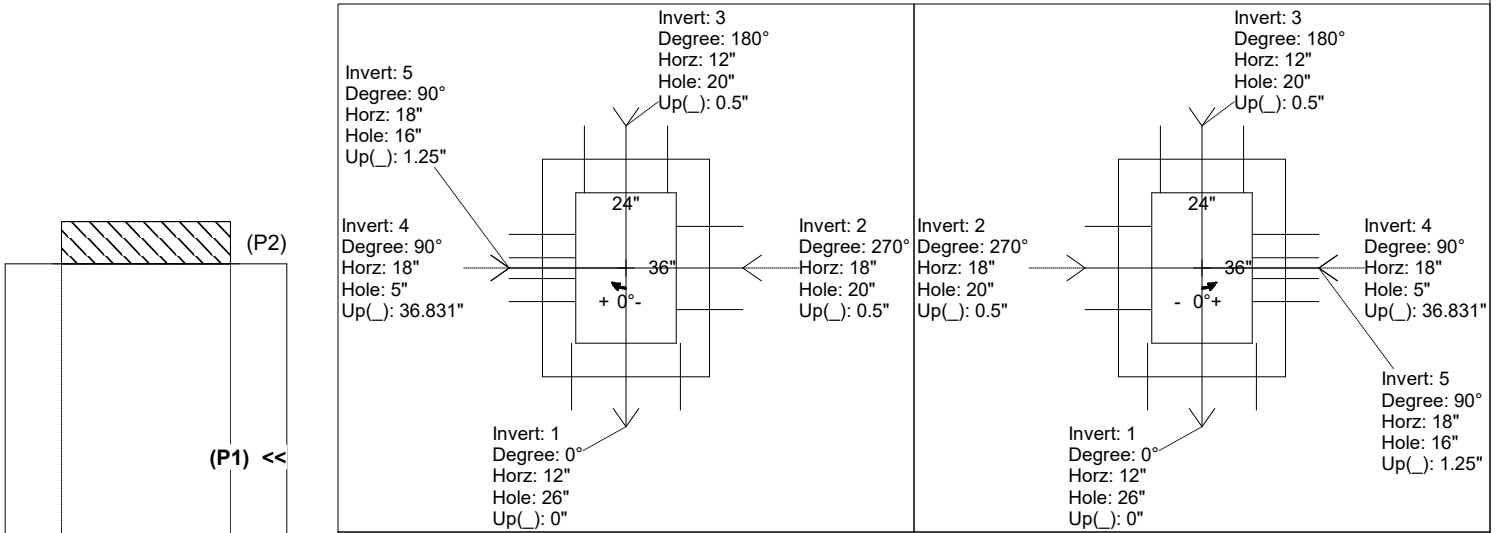
Structure Total: 5355 lb

Rim: 397.1' Rim to Invert: 4.28' Slack: 0.86" Sump: 2.5" Step Position:

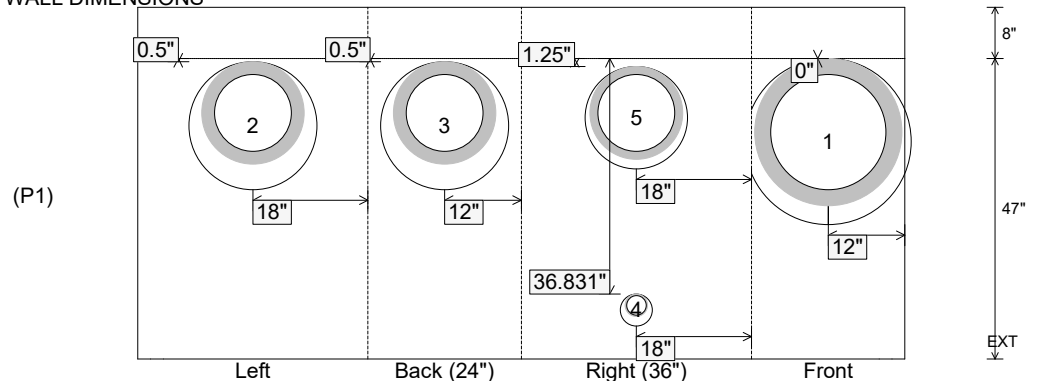
| Position | Elev | Angle | Ext. (cw) | Pipe | Pipe OD | Connector | Hole | Horz Size | Up () | Offset |
|----------|---------|-------|-----------|----------------|---------|-----------|------|-----------|---------|--------|
| Invert 1 | 392.82' | 0° | 20" | 18" RCP B WALL | 23" | Hole 26 | 26" | 25" | 0" | 0" |
| Invert 2 | 392.82' | 270° | 26" | 12" RCP B WALL | 16" | Hole 20 | 20" | 20" | 0.5" | 0" |
| Invert 3 | 392.82' | 180° | 20" | 12" RCP B WALL | 16" | Hole 20 | 20" | 20" | 0.5" | 0" |
| Invert 4 | 395.7' | 90° | 26" | 3" PVC SCH40 | 3.5" | Hole 5 | 5" | 5" | 36.831" | 0" |
| Invert 5 | 392.82' | 90° | 26" | 12" HDPE | 14.5" | Hole 16 | 16" | 16" | 1.25" | 0" |
| Invert 6 | | | | | | | | | | |
| Invert 7 | | | | | | | | | | |
| Invert 8 | | | | | | | | | | |

RIGHT-SIDE UP VIEW (int. dimensions)

UPSIDE-DOWN VIEW (int. dimensions)



INSIDE WALL DIMENSIONS



Coating (Int):
 Coating (Ext):

Seam Up: Flat
 Seam Dn: n/a

Wall Thickness: 8"
 Floor Height: 8"

Height (Int): 47"
 Height (Ext): 55"

Weight (Net): 5355 lb
 Volume (Net): 1.37cu.yd