

**Job Name: 25-1626 Junior Achievement Building**  
**Job Location: Evansville, IN**  
**Contractor: Russell's Excavating**

PC: J.Jarvis  
 TECH: C.Russ  
 Plant: Beaver Dam



Structure ID: CI 102

Spec: Storm  
 Type: BX 8inW, 8inF  
 Size: 48" x 48"

Rim: 396.27'  
 Invert: 392.06'  
 Rim to Invert: 4.21'

Sump: 3.5"  
 Floor (Top): 391.768'  
 Floor Height: 8"

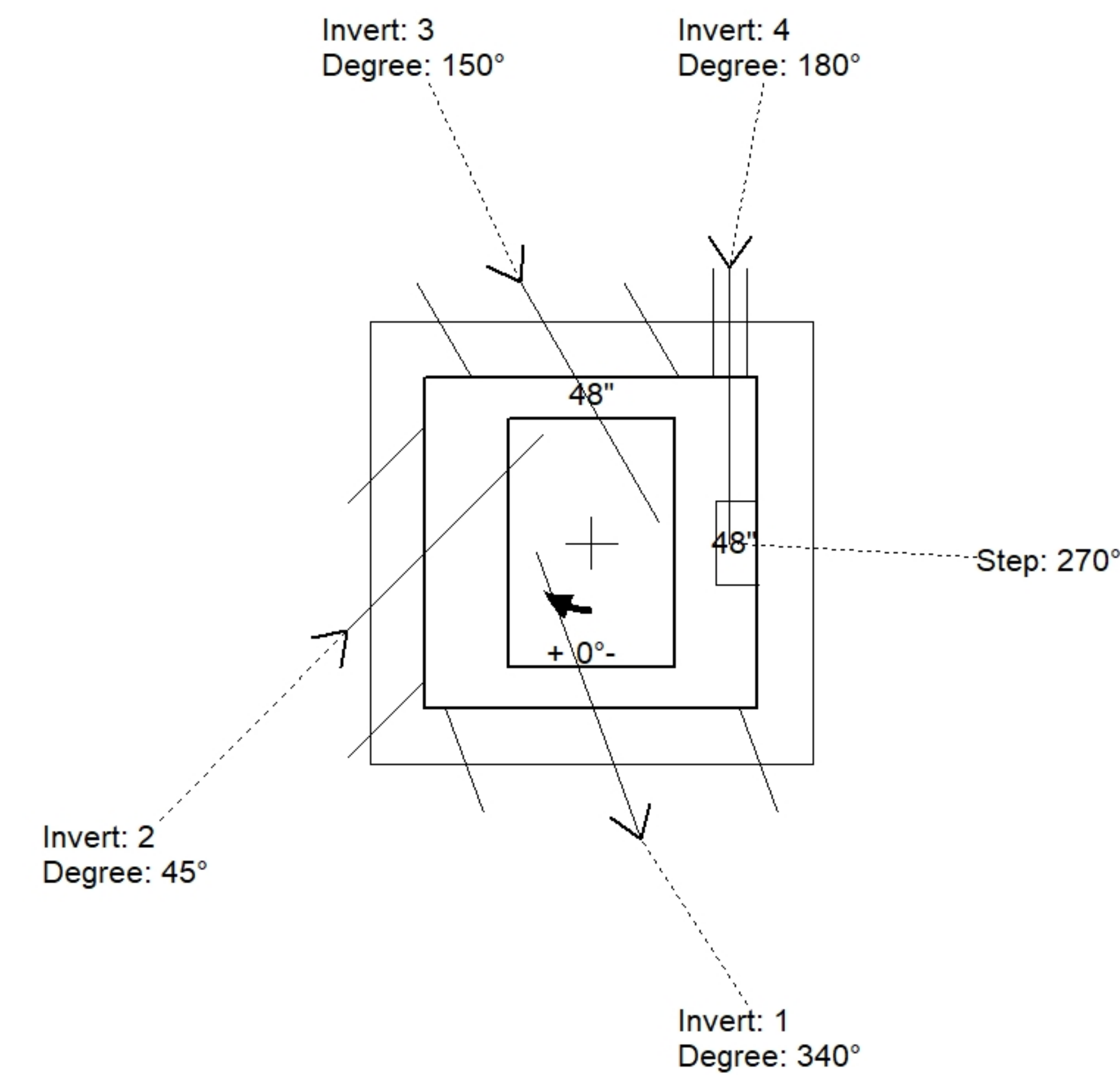
Floor (Bot): 391.102'  
 Overall Height: 5.167'  
 Slack: 0.02"

Structure Notes:

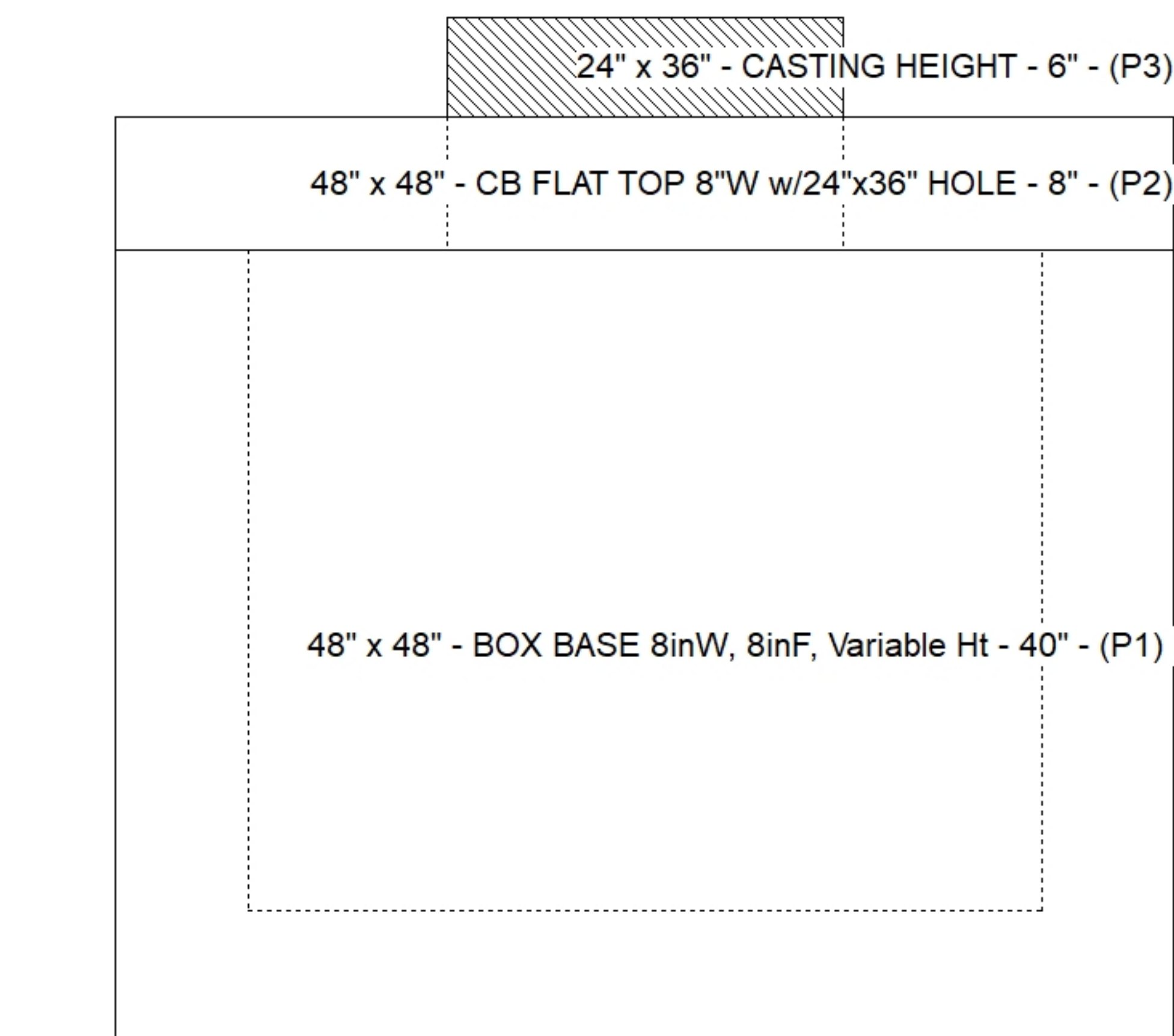
1. PER ASTM C913 SPECIFICATIONS.
2. CONCRETE = 4,000 PSI AT 28 DAYS.
3. HOE 525 FRAME W/ EJ 7060 M3 GRATE PROVIDED BY ICAST
4. REINFORCING PER ASTM A615 (GRADE 60).  
 - TOP SLAB (As .62) #5 BARS AT 6" C.C.E.W..  
 - RISER/WALLS (As .12) #5 BARS AT 8" C.C.E.W..  
 - FLOOR (As .31) #5 BARS AT 12" C.C.E.W.

STRUCTURE SUMMARY:

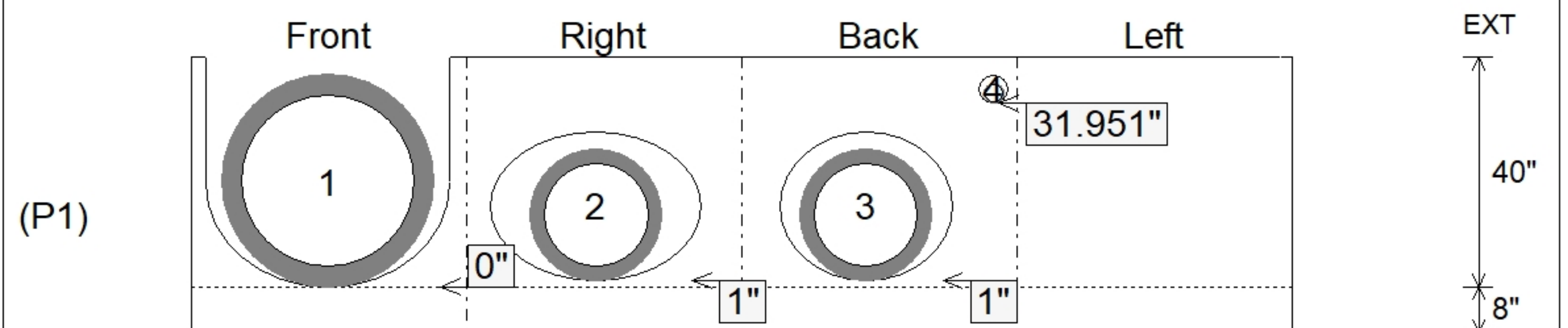
P3) 24" x 36" - CASTING HEIGHT - 6"	0 lb
P2) 48" x 48" - CB FLAT TOP 8"W w/24"x36" HOLE - 8"	2170 lb
P1) 48" x 48" - BOX BASE 8inW, 8inF, Variable Ht - 40"	6803 lb
1) DOGHOUSE INVRTD - 40"x36"	0 lb
2) Hole - 26	0 lb
1) Hole - 5	0 lb
4) MH Step ML-10-TDS-NCR - 10"	0 lb
<b>Structure Total:</b>	<b>8973 lb</b>



Position	Elev	Angle	Pipe	Pipe OD	Hole	Connector	Up ( )	Ref
Rim	396.27'							
Reducer								
Invert 1	392.06'	340°	30" RCP B WALL	37"	40" x 36"	DOGHOUSE INVRTD 40"x36"	0"	P1
Invert 2	392.06'	45°	18" RCP B WALL	23"	26"	Hole 26	1"	P1
Invert 3	392.06'	150°	18" RCP B WALL	23"	26"	Hole 26	1"	P1
Invert 4	394.45'	180°	3" PVC SCH40	3.5"	5"	Hole 5	31.951"	P1
Invert 5								
Invert 6								
Invert 7								
Invert 8								



**Default - Interior Dimensions**



Submittal Drawing  
 11/18/2025 7:46:19 AM

SUBMITTAL  
 APPROVED BY: