

**Structure ID: CI 102**

**P1 BX4848-08BAVF**

**BOX BASE 8inW, 8inF, Variable Ht**

- P3) 24" x 36" - CASTING HEIGHT - 6"
- P2) 48" x 48" - CB FLAT TOP 8"W w/24"x36" HOLE - 8"
- P1) 48" x 48" - BOX BASE 8inW, 8inF, Variable Ht - 40"
- 1) DOGHOUSE INVRTD - 40"x36"
- 2) Hole - 26
- 1) Hole - 5
- 4) MH Step ML-10-TDS-NCR - 10"

0 lb  
 2170 lb  
 6803 lb  
 0 lb  
 0 lb  
 0 lb  
 0 lb  
 -----  
 0 lb  
 Structure Total: 8973 lb

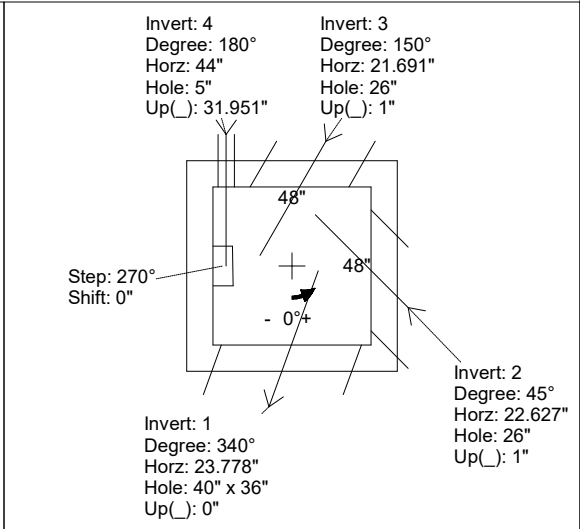
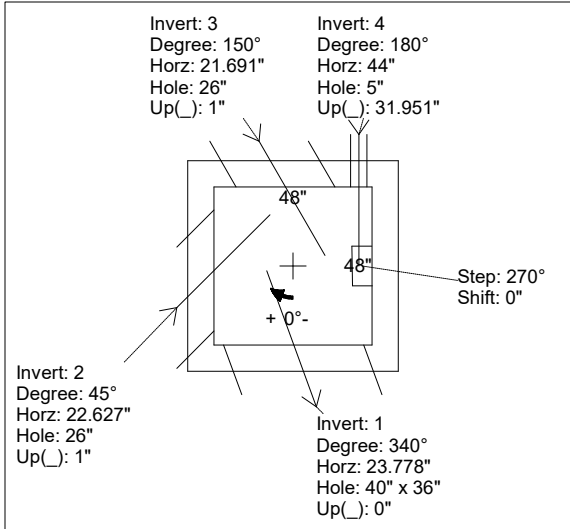
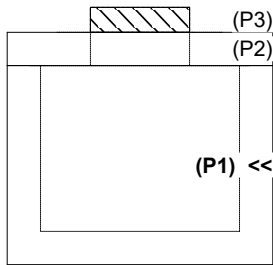
- Structure Notes:
1. PER ASTM C913 SPECIFICATIONS.
  2. CONCRETE = 4,000 PSI AT 28 DAYS.
  3. HOE 525 FRAME W/ EJ 7060 M3 GRATE PROVIDED BY ICAST
  4. REINFORCING PER ASTM A615 (GRADE 60).  
 - TOP SLAB (As .62) #5 BARS AT 6" C.C.E.W..  
 - RISER/WALLS (As .12) #5 BARS AT 8" C.C.E.W..  
 - FLOOR (As .31) #5 BARS AT 12" C.C.E.W.

Rim: 396.27'    Rim to Invert: 4.21'    Slack: 0.02"    Sump: 3.5"    Step Position: 0°

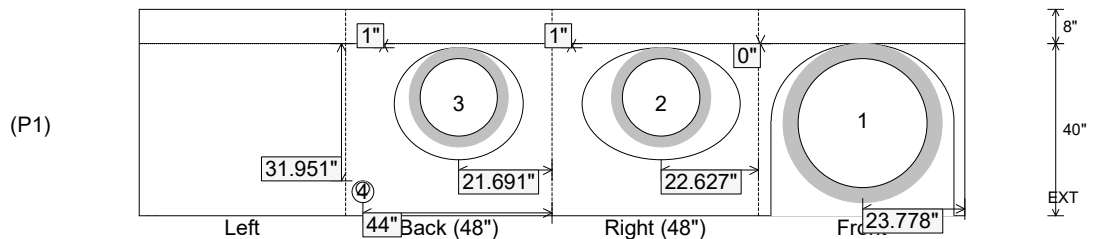
Position	Elev	Angle	Ext. (cw)	Pipe	Pipe OD	Connector	Hole	Horz Size	Up ( )	Offset
Invert 1	392.06'	340°	28.866"	30" RCP B WALL	37"	DOGHOUSE INVRTD 40"x36"	40" x 36"	42.567"	0"	8"
Invert 2	392.06'	45°	22.627"	18" RCP B WALL	23"	Hole 26	26"	36.77"	1"	16"
Invert 3	392.06'	150°	25.072"	18" RCP B WALL	23"	Hole 26	26"	30.022"	1"	10"
Invert 4	394.45'	180°	52"	3" PVC SCH40	3.5"	Hole 5	5"	5"	31.951"	20"
Invert 5										
Invert 6										
Invert 7										
Invert 8										

**RIGHT-SIDE UP VIEW (int. dimensions)**

**UPSIDE-DOWN VIEW (int. dimensions)**



**INSIDE WALL DIMENSIONS**



Coating (Int): Coating (Ext):	Seam Up: Flat Seam Dn: n/a	Wall Thickness: 8" Floor Height: 8"	Height (Int): 40" Height (Ext): 48"	Weight (Net): 6803 lb Volume (Net): 1.74cu.yd
----------------------------------	-------------------------------	--	--	--