

**Job Name: 25-1601B Spring Creek Parkway Phase 2 (Sanitary)**  
**Job Location: Clarksville, TN**  
**Contractor: Byard Construction, LLC**

PC: A. Chambers  
 TECH: S. Felletter  
 Plant: Beaver Dam



Structure ID: **C2**  
 Spec: Sanitary  
 Type: SAN.MH w/Xypex  
 Size: 48"

Rim: 511.67'  
 Invert: 503.94'  
 Rim to Invert: 7.73'

Sump: 2"  
 Floor (Top): 503.773'  
 Floor Height: 6"

Floor (Bot): 503.273'  
 Overall Height: 8.333'  
 Slack: 0.76"

**Structure Notes:**

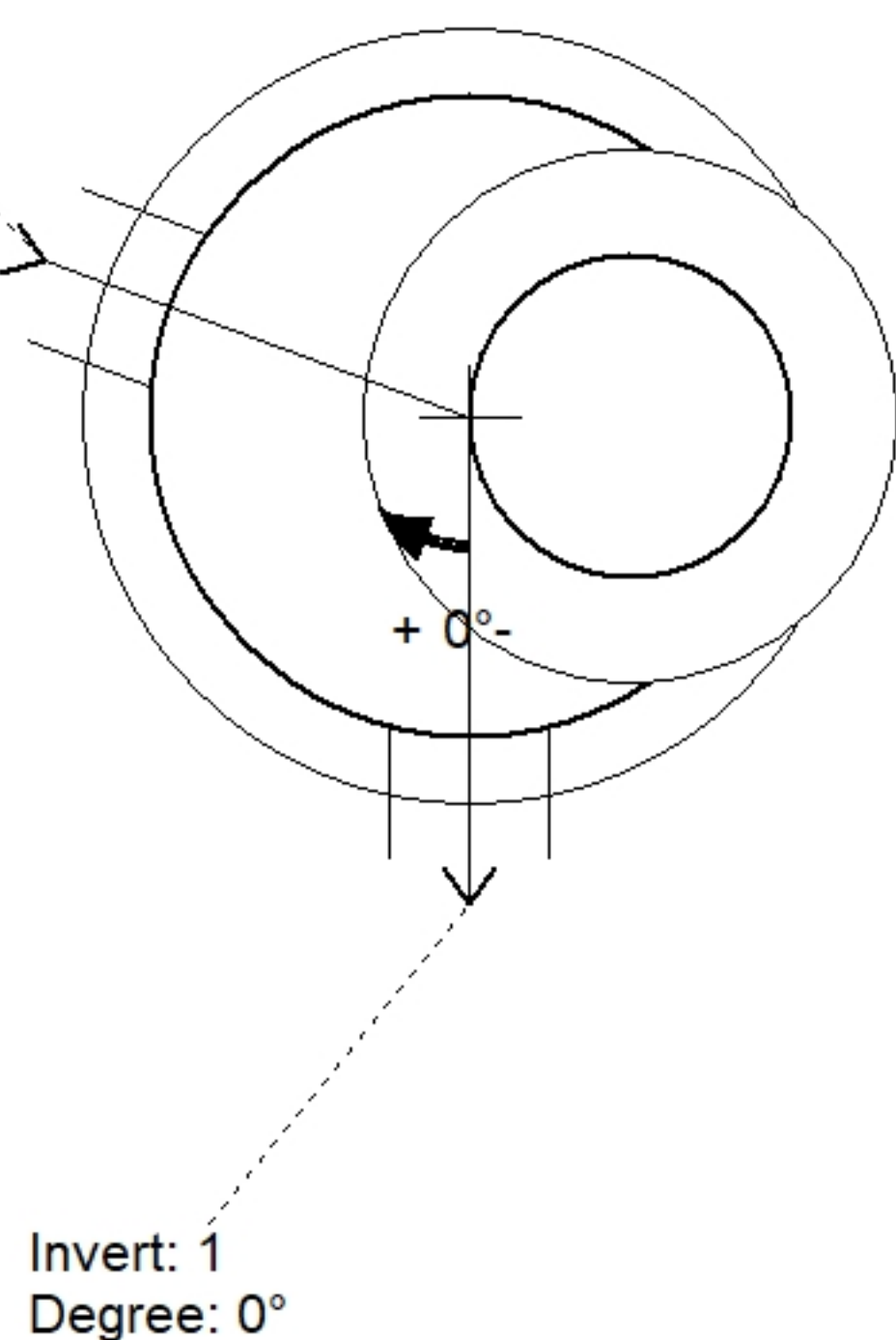
1. PER ASTM C478 SPECIFICATIONS.
2. CONCRETE = 4,000 PSI AT 28 DAYS.
3. CASTING BY OTHERS. (JBS-1155 F/C)
4. EXTERIOR STAINLESS STEEL JOINT STRAPS TO BE PROVIDED BY OTHERS.
5. NO STEPS.

REINFORCING PER ASTM A615 (GRADE 60).  
 - CONE (As .12)  
 - RISER (As .12)  
 - FLOOR (As .31) #5 BARS AT 12" C.C.E.W.

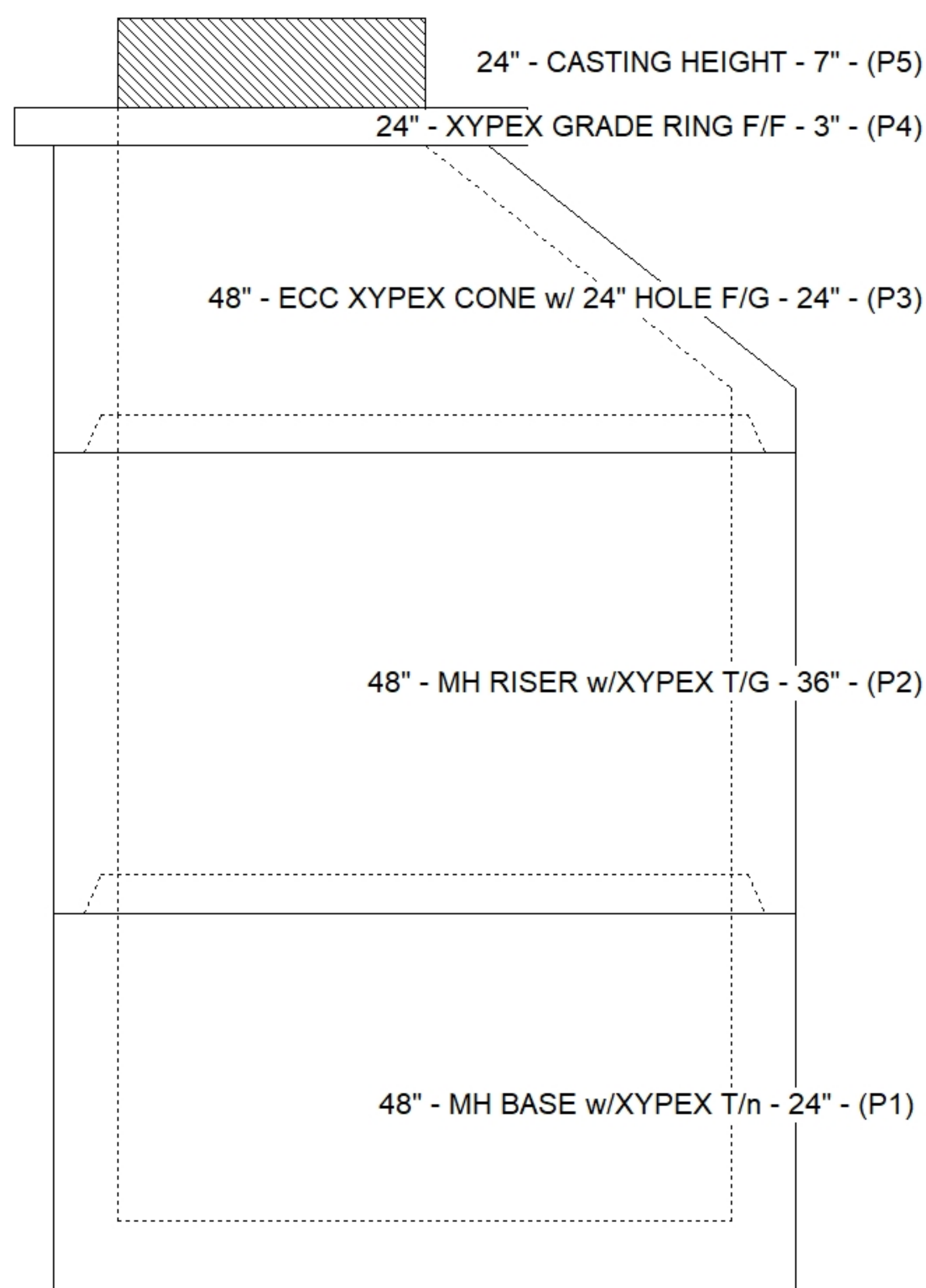
**STRUCTURE SUMMARY:**

P5) 24" - CASTING HEIGHT - 7"	0 lb
P4) 24" - XYPEX GRADE RING F/F - 3"	202 lb
P3) 48" - ECC XYPEX CONE w/ 24" HOLE F/G - 24"	1738 lb
P2) 48" - MH RISER w/XYPEX T/G - 36"	2515 lb
P1) 48" - MH BASE w/XYPEX T/n - 24"	2911 lb
1) JOINT WRAP PRIMER - CONSEAL CS-75 (1 gal.)	0 lb
1) Conseal CS-102 1.00" (Double)	0 lb
1) JOINT WRAP - 0.065"x12"x50' CONSEAL CS212	0 lb
1) 48" - MH INVERT CHANNEL w/XYPEX - FULL HEIGHT	1440 lb
2) 48" - Conseal CS-102 1.00" (Double)	0 lb
2) PSX - 12-08 NYLO	16 lb
<b>Structure Total:</b>	<b>8823 lb</b>

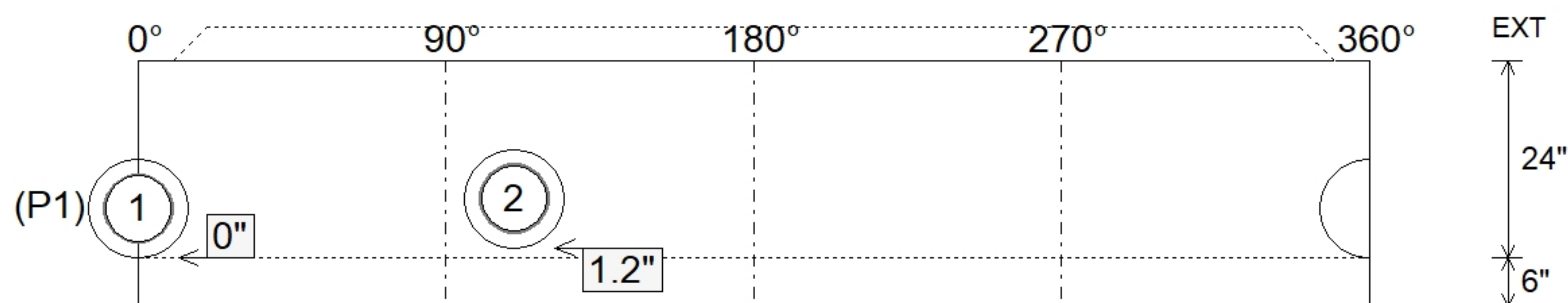
Invert: 2  
 Degree: 110°



Position	Elev	Angle	Pipe	Pipe OD	Hole	Connector	Up (")	Ref
Rim	511.67'							
Reducer								
Invert 1	503.94'	0°	8" PVC SDR26	8.5"	12"	PSX 12-08 NYLO	0"	P1
Invert 2	504.04'	110°	8" PVC SDR35	8.5"	12"	PSX 12-08 NYLO	1.2"	P1
Invert 3								
Invert 4								
Invert 5								
Invert 6								
Invert 7								
Invert 8								



**Default - Interior Dimensions**



Submittal Drawing  
 4/15/2026 12:51:08 PM

SUBMITTAL  
 APPROVED BY: