

Job Name: 25-1601B Spring Creek Parkway Phase 2 (Sanitary)	Plant: Beaver Dam	Tech: S. Felletter	
Job Location: Clarksville, TN Contractor: Byard Construction, LLC	4/15/2026 12:51:28 PM	PC: A. Chambers	

Structure ID: C2

P3 MH048CN24X

ECC XYPEX CONE w/ 24" HOLE F/G

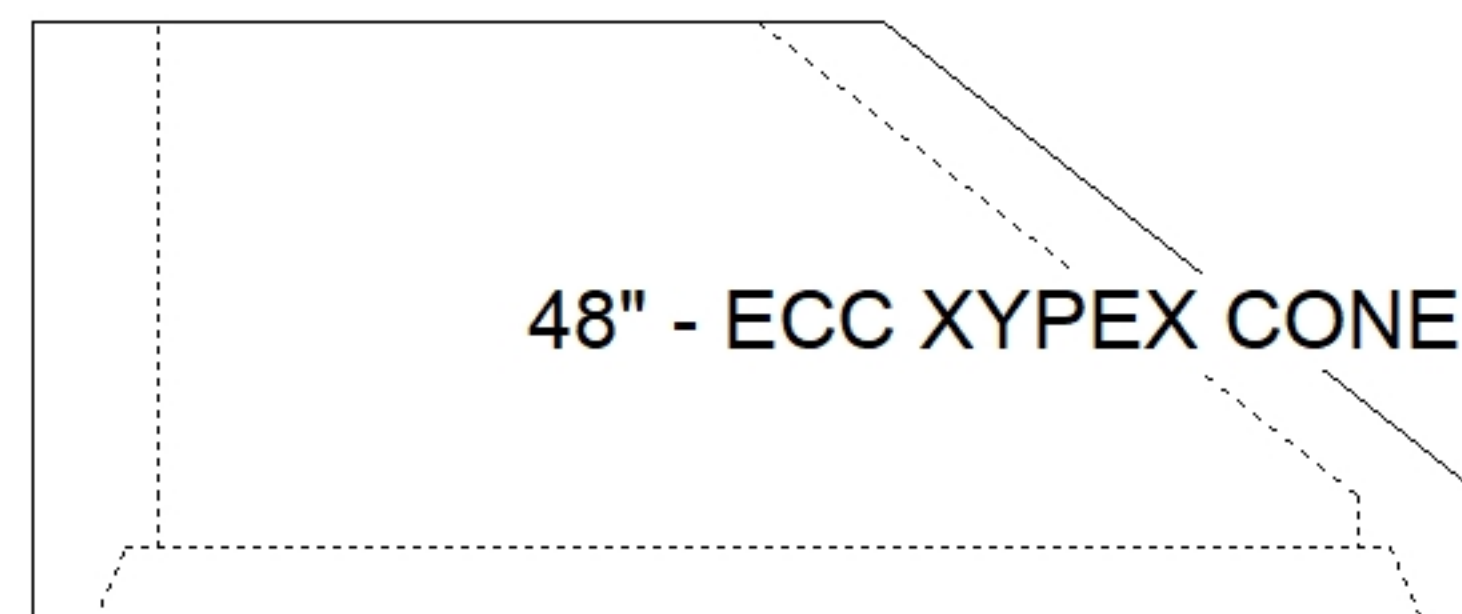
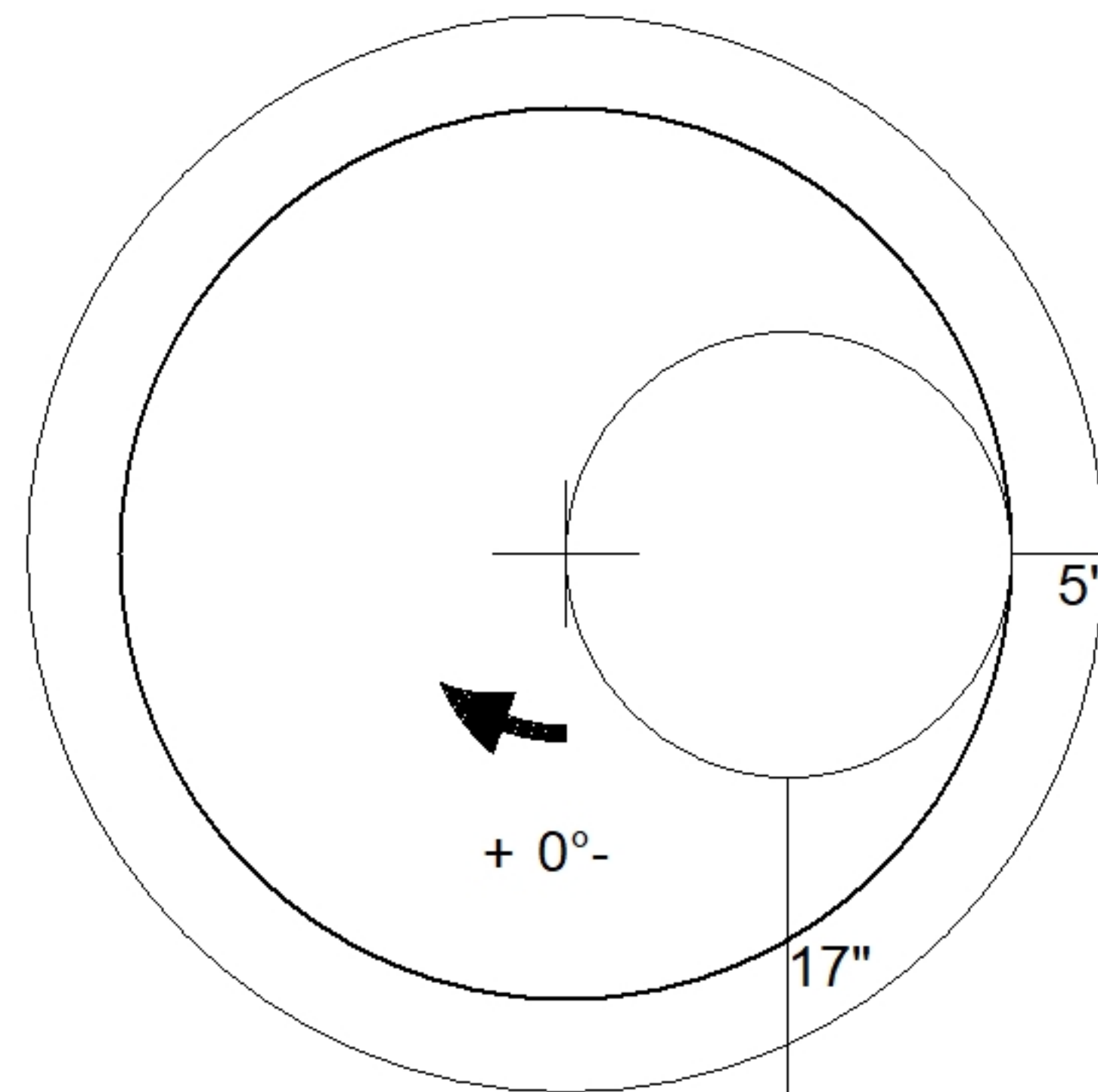
P5) 24" - CASTING HEIGHT - 7"	0 lb
P4) 24" - XYPEX GRADE RING F/F - 3"	202 lb
P3) 48" - ECC XYPEX CONE w/ 24" HOLE F/G - 24"	1738 lb
P2) 48" - MH RISER w/XYPEX T/G - 36"	2515 lb
P1) 48" - MH BASE w/XYPEX T/n - 24"	2911 lb
1) JOINT WRAP PRIMER - CONSEAL CS-75 (1 gal.)	0 lb
1) Conseal CS-102 1.00" (Double)	0 lb
1) JOINT WRAP - 0.065"x12"x50' CONSEAL CS212	0 lb
1) 48" - MH INVERT CHANNEL w/XYPEX - FULL HEIGHT	1440 lb
2) 48" - Conseal CS-102 1.00" (Double)	0 lb
2) PSX - 12-08 NYLO	16 lb
Structure Total:	8823 lb

Structure Notes:

- PER ASTM C478 SPECIFICATIONS.
- CONCRETE = 4,000 PSI AT 28 DAYS.
- CASTING BY OTHERS. (JBS-1155 F/C)
- EXTERIOR STAINLESS STEEL JOINT STRAPS TO BE PROVIDED BY OTHERS.
- NO STEPS.

REINFORCING PER ASTM A615 (GRADE 60).

- CONE (As .12)
- RISER (As .12)
- FLOOR (As .31) #5 BARS AT 12" C.C.E.W.



Coating (Int):	Seam Up: Flat	Wall Thickness: 5"	Height (Ext): 24"	Weight (Net): 1738 lb
Coating (Ext):	Seam Dn: Groove			Volume (Net): 0.44cu.yd