

Job Name: 25-1601B Spring Creek Parkway Phase 2 (Sanitary)
Job Location: Clarksville, TN
Contractor: Byard Construction, LLC

PC: A. Chambers
 TECH: S. Felletter
 Plant: Beaver Dam



Structure ID: C1
 Spec: Sanitary
 Type: SAN.MH w/Xypex
 Size: 48"

Rim: 511.39'
 Invert: 503.46'
 Rim to Invert: 7.93'

Sump: 2"
 Floor (Top): 503.293'
 Floor Height: 6"

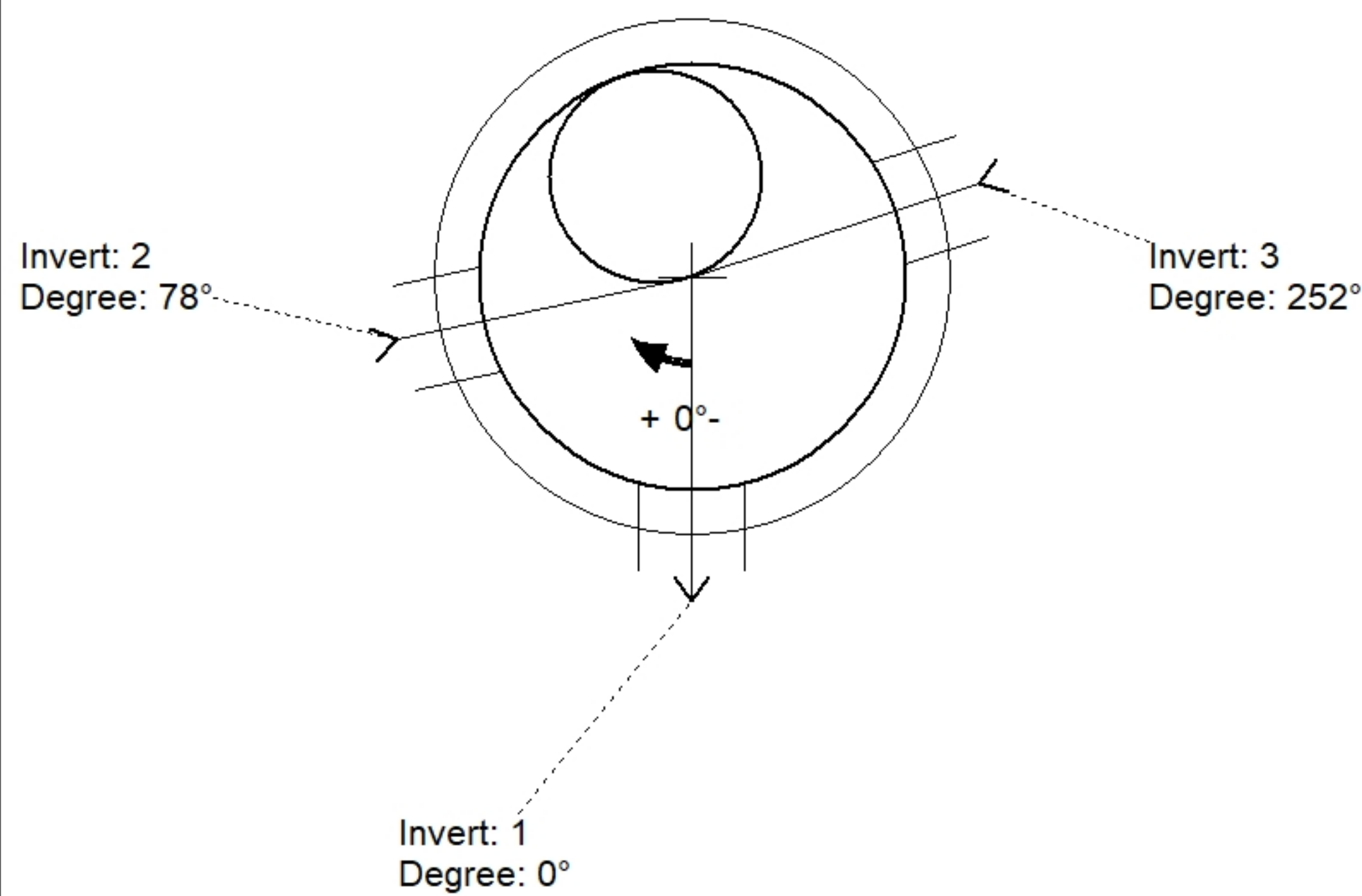
Floor (Bot): 502.793'
 Overall Height: 8.583'
 Slack: 0.16"

Structure Notes:
 1. PER ASTM C478 SPECIFICATIONS.
 2. CONCRETE = 4,000 PSI AT 28 DAYS.
 3. CASTING BY OTHERS. (JBS-1155 F/C)
 4. EXTERIOR STAINLESS STEEL JOINT STRAPS TO BE PROVIDED BY OTHERS.
 5. NO STEPS.

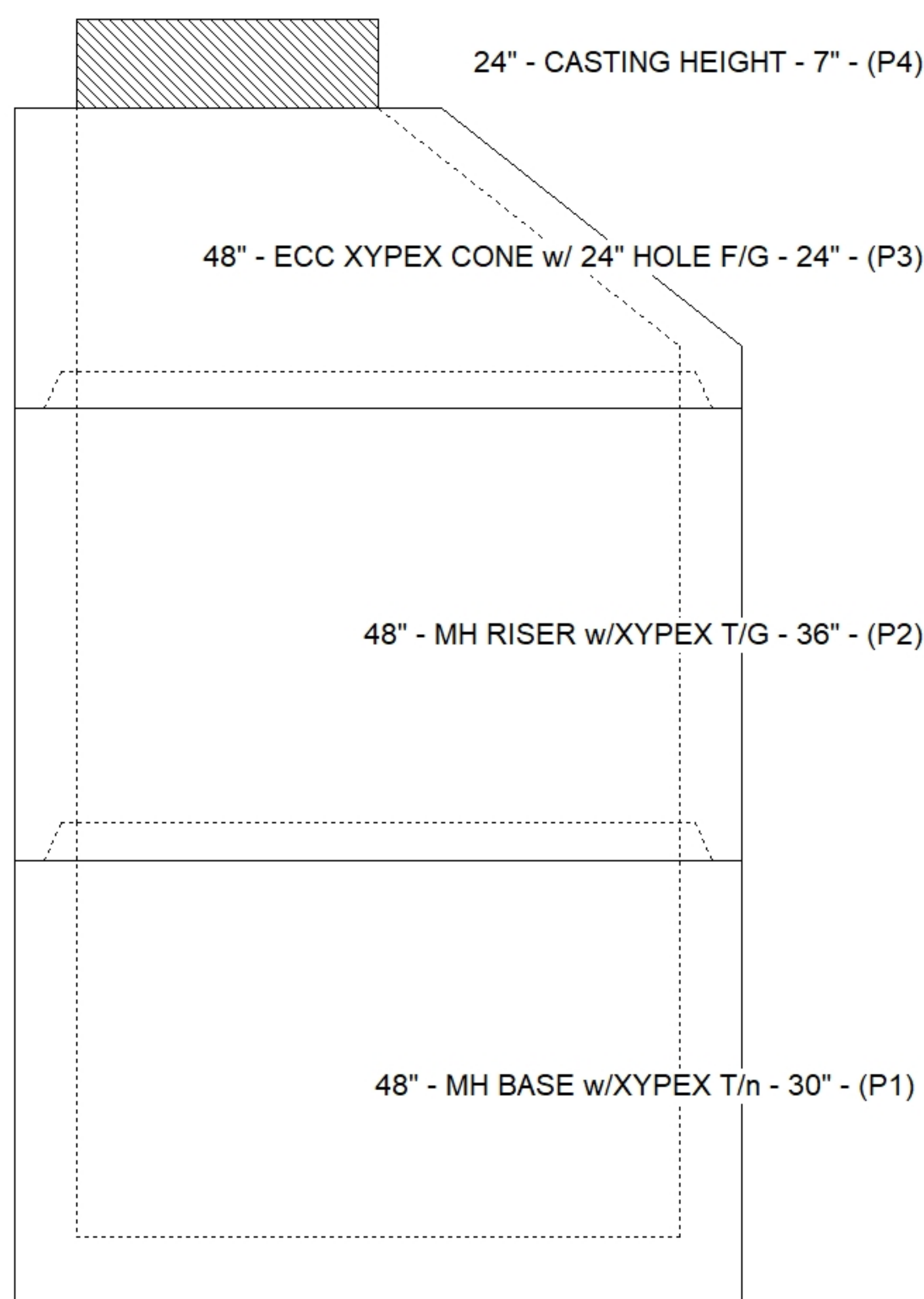
REINFORCING PER ASTM A615 (GRADE 60).
 - CONE (As .12)
 - RISER (As .12)
 - FLOOR (As .31) #5 BARS AT 12" C.C.E.W.

STRUCTURE SUMMARY:

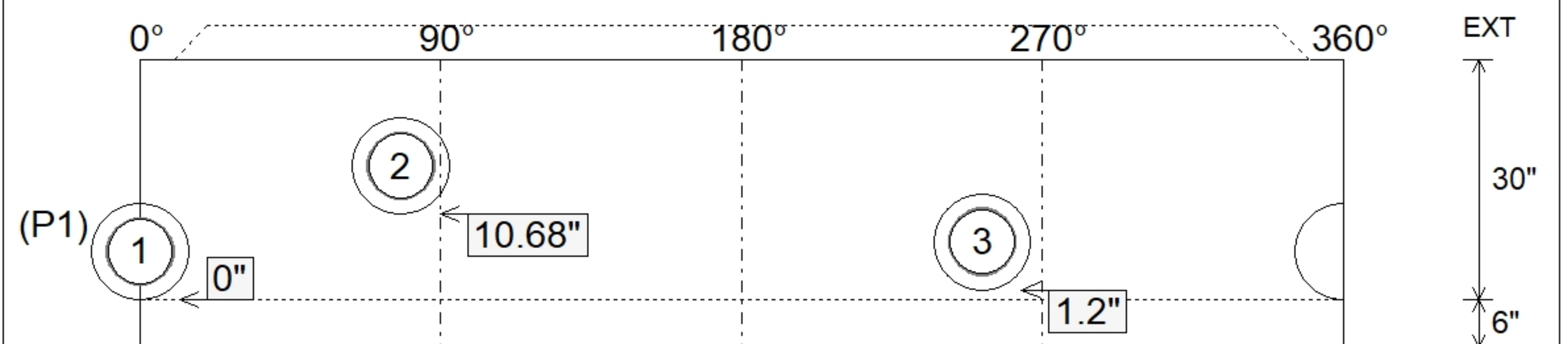
P4) 24" - CASTING HEIGHT - 7"	0 lb
P3) 48" - ECC XYPEX CONE w/ 24" HOLE F/G - 24"	1738 lb
P2) 48" - MH RISER w/XYPEX T/G - 36"	2515 lb
P1) 48" - MH BASE w/XYPEX T/n - 30"	3282 lb
1) JOINT WRAP PRIMER - CONSEAL CS-75 (1 gal.)	0 lb
1) Conseal CS-102 1.00" (Double)	0 lb
1) JOINT WRAP - 0.065"x12"x50' CONSEAL CS212	0 lb
1) 48" - MH INVERT CHANNEL w/XYPEX - FULL HEIGHT	1440 lb
2) 48" - Conseal CS-102 1.00" (Double)	0 lb
3) PSX - 12-08 NYLO	24 lb
Structure Total:	9000 lb



Position	Elev	Angle	Pipe	Pipe OD	Hole	Connector	Up (")	Ref
Rim	511.39'							
Reducer								
Invert 1	503.46'	0°	8" PVC SDR26	8.5"	12"	PSX 12-08 NYLO	0"	P1
Invert 2	504.35'	78°	8" PVC SDR35	8.5"	12"	PSX 12-08 NYLO	10.68"	P1
Invert 3	503.56'	252°	8" PVC SDR26	8.5"	12"	PSX 12-08 NYLO	1.2"	P1
Invert 4								
Invert 5								
Invert 6								
Invert 7								
Invert 8								



Default - Interior Dimensions



Submittal Drawing
 2/19/2026 11:51:45 AM

SUBMITTAL
 APPROVED BY: