

Structure ID: C1

P2 MH048RS36X

MH RISER w/XYPEX T/G

P4) 24" - CASTING HEIGHT - 7" P3) 48" - ECC XYPEX CONE w/ 24" HOLE F/G - 24" P2) 48" - MH RISER w/XYPEX T/G - 36" P1) 48" - MH BASE w/XYPEX T/n - 30" 1) JOINT WRAP PRIMER - CONSEAL CS-75 (1 gal.) 1) Conseal CS-102 1.00" (Double) 1) JOINT WRAP - 0.065"x12"x50' CONSEAL CS212 1) 48" - MH INVERT CHANNEL w/XYPEX - FULL HEIGHT 2) 48" - Conseal CS-102 1.00" (Double) 3) PSX - 12-08 NYLO	0 lb 1738 lb 2515 lb 3282 lb 0 lb 0 lb 0 lb 0 lb 1440 lb 0 lb 24 lb <hr style="width: 50px; margin-left: auto; margin-right: 0;"/> Structure Total: 9000 lb
--	--

Structure Notes:

1. PER ASTM C478 SPECIFICATIONS.
2. CONCRETE = 4,000 PSI AT 28 DAYS.
3. CASTING BY OTHERS. (JBS-1155 F/C)
4. EXTERIOR STAINLESS STEEL JOINT STRAPS TO BE PROVIDED BY OTHERS.
5. NO STEPS.

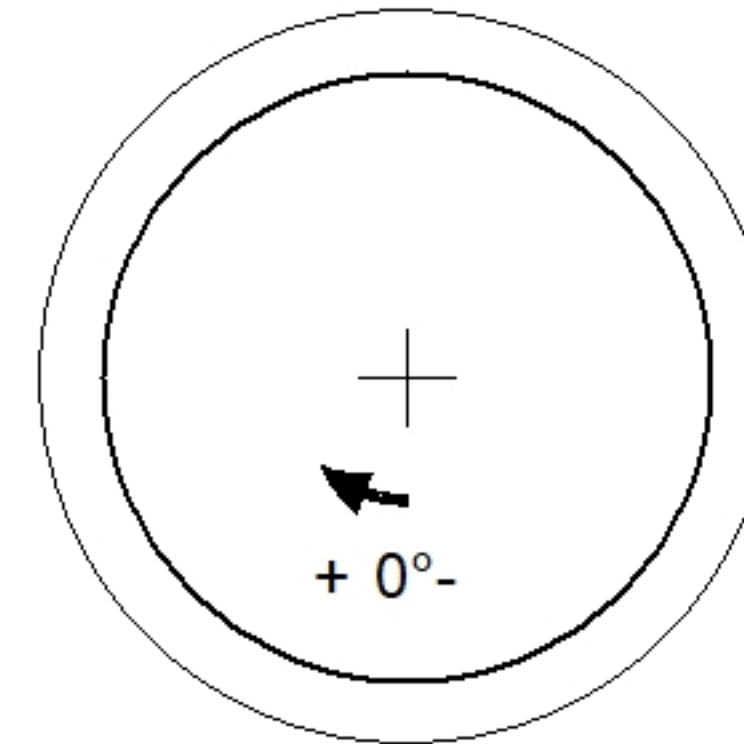
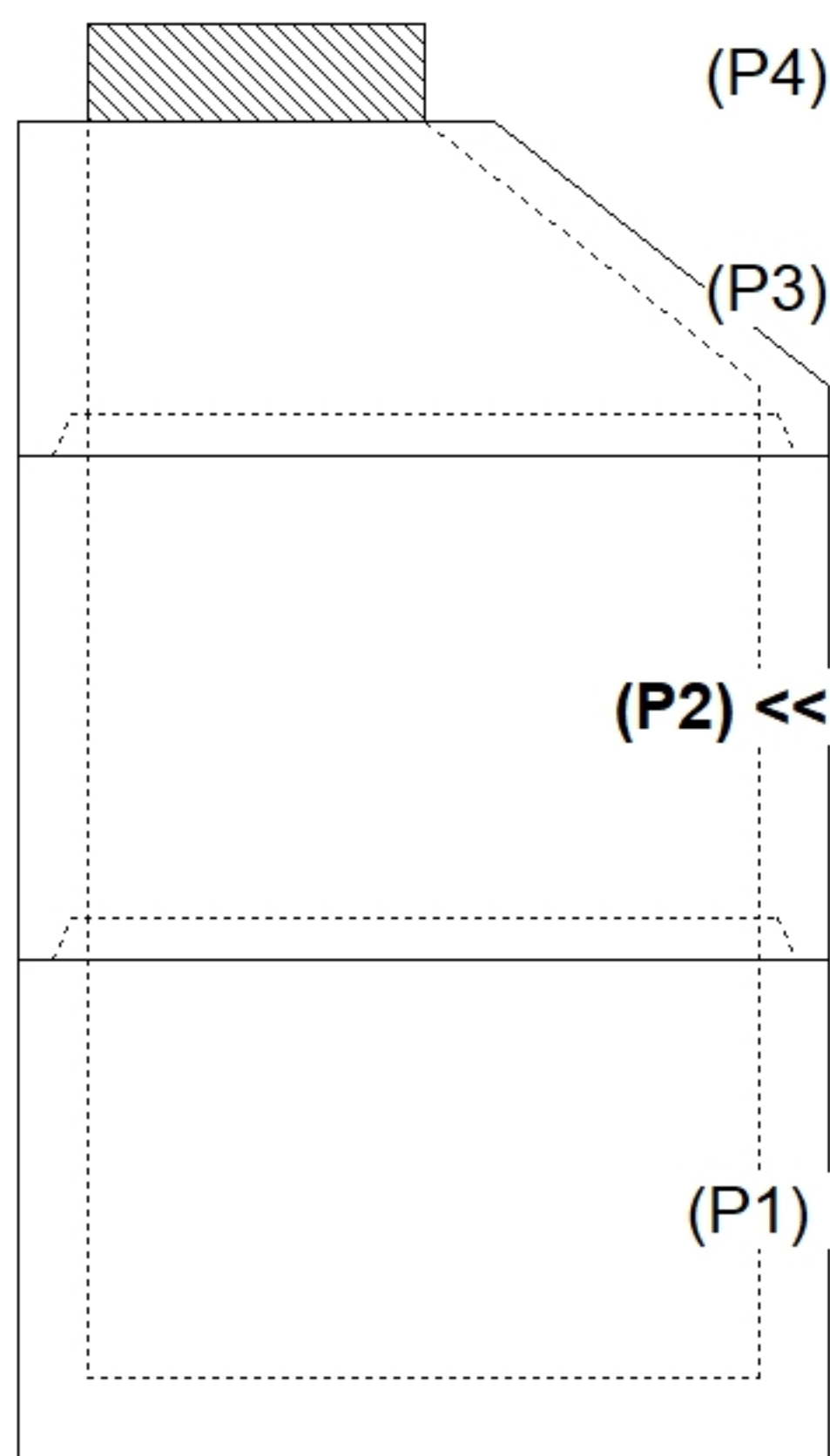
REINFORCING PER ASTM A615 (GRADE 60).

- CONE (As .12)
- RISER (As .12)
- FLOOR (As .31) #5 BARS AT 12" C.C.E.W.

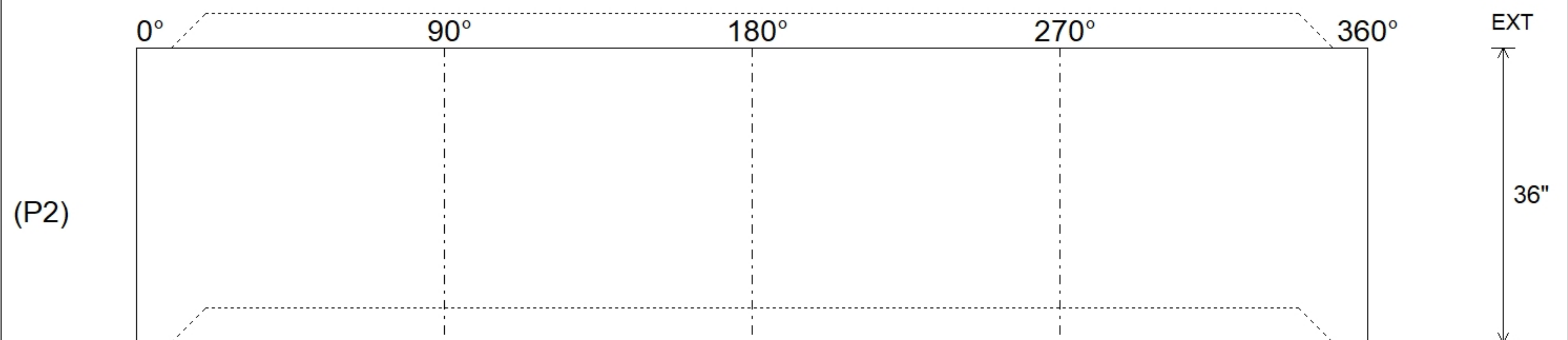
Rim: 511.39' Rim to Invert: 7.93' Slack: 0.16" Sump: 2" Step Position:

Position	Elev	Angle	Ext. (cw)	Pipe	Pipe OD	Connector	Hole	Horz Size	Up ()	Offset
Invert 1										
Invert 2										
Invert 3										
Invert 4										
Invert 5										
Invert 6										
Invert 7										
Invert 8										

RIGHT-SIDE UP VIEW (int. dimensions)



INSIDE WALL DIMENSIONS



Coating (Int): Coating (Ext):	Seam Up: Tongue Seam Dn: Groove	Wall Thickness: 5" Floor Height: 0"	Height (Int): 36" Height (Ext): 36"	Weight (Net): 2515 lb Volume (Net): 0.64cu.yd
----------------------------------	------------------------------------	--	--	--