

Job Name: 25-1601B Spring Creek Parkway Phase 2 (Sanitary)
 Job Location: Clarksville, TN
 Contractor: Byard Construction, LLC

Plant: Beaver Dam

Tech: S. Felletter

2/18/2026 11:05:25 AM

PC: A. Chambers



Structure ID: B7

P4 GR4X

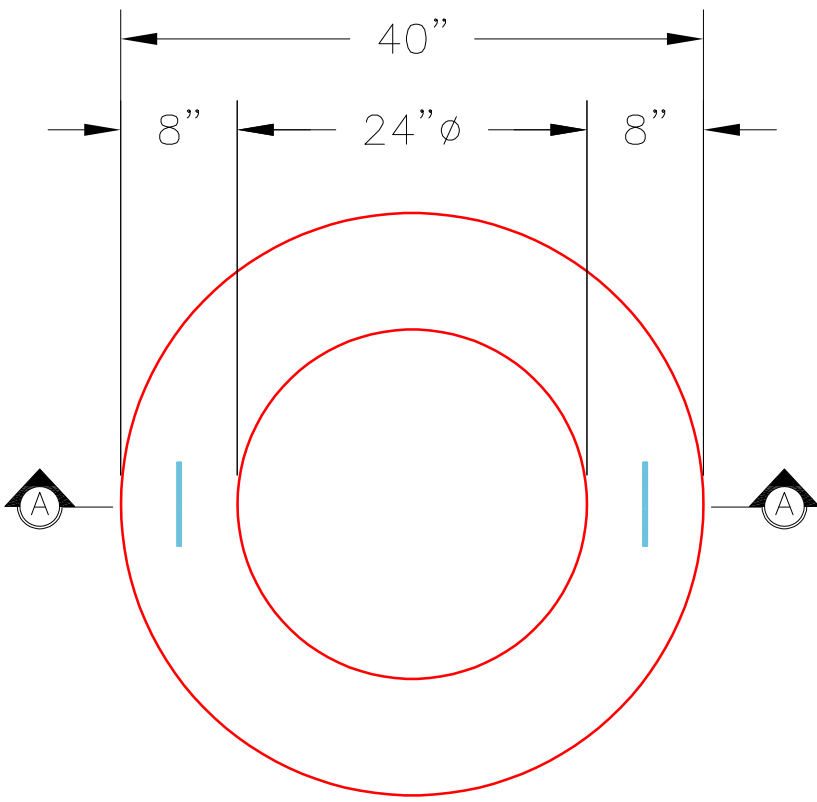
XYPEX GRADE RING F/F

- P5) 24" - CASTING HEIGHT - 7"
- P4) 24" - XYPEX GRADE RING F/F - 4"
- P3) 48" - ECC XYPEX CONE w/ 24" HOLE F/G - 36"
- P2) 48" - MH RISER w/XYPEX T/G - 60"
- P1) 48" - MH BASE w/XYPEX T/n - 24"
- 1) JOINT WRAP PRIMER - CONSEAL CS-75 (1 gal.)
- 1) Conseal CS-102 1.00" (Double)
- 1) JOINT WRAP - 0.065"x12"x50' CONSEAL CS212
- 1) 48" - MH INVERT CHANNEL w/XYPEX - FULL HEIGHT
- 2) 48" - Conseal CS-102 1.00" (Double)
- 2) PSX - 12-08 NYLO

- 0 lb
- 270 lb
- 2251 lb
- 4192 lb
- 2911 lb
- 0 lb
- 0 lb
- 0 lb
- 1440 lb
- 0 lb
- 16 lb
- Structure Total: 11080 lb

Structure Notes:

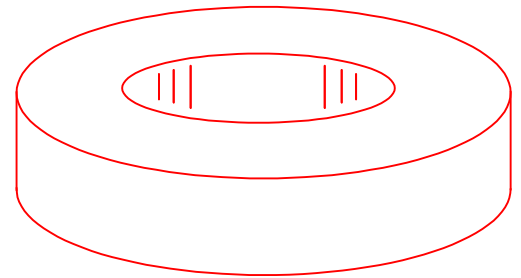
1. PER ASTM C478 SPECIFICATIONS.
 2. CONCRETE = 4,000 PSI AT 28 DAYS.
 3. CASTING BY OTHERS. (JBS-1155 F/C)
 4. EXTERIOR STAINLESS STEEL JOINT STRAPS TO BE PROVIDED BY OTHERS.
 5. NO STEPS.
- REINFORCING PER ASTM A615 (GRADE 60).
 - CONE (As .12)
 - RISER (As .12)
 - FLOOR (As .31) #5 BARS AT 12" C.C.E.W.



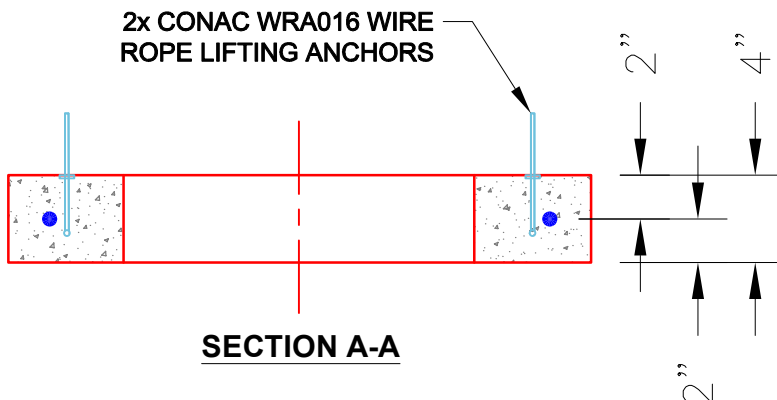
PLAN VIEW

NOTES:

1. GRADE RINGS MEET OR EXCEED THE FOLLOWING SPECIFICATIONS:
 -CONCRETE: 4,000 PSI @ 28 DAYS.
 -REINFORCING: (1) #3 HOOP CENTERED (GRADE 60)
2. WEIGHT: 4" 270 Lbs.
3. XYPEX ADMIXTURE



ISOMETRIC VIEW



SECTION A-A

Coating (Int):
 Coating (Ext):

Seam Up: Flat
 Seam Dn: Flat

Wall Thickness: 8"

Height (Ext): 4"

Weight (Net): 270 lb
 Volume (Net): 0.07cu.yd