

**Job Name: 25-1601B Spring Creek Parkway Phase 2 (Sanitary)**  
**Job Location: Clarksville, TN**  
**Contractor: Byard Construction, LLC**

PC: A. Chambers  
 TECH: S. Felletter  
 Plant: Beaver Dam



Structure ID: **B4**  
 Spec: Sanitary  
 Type: SAN.MH w/Xypex  
 Size: 48"

Rim: 508.58'  
 Invert: 500.28'  
 Rim to Invert: 8.3'

Sump: 2"  
 Floor (Top): 500.113'  
 Floor Height: 6"

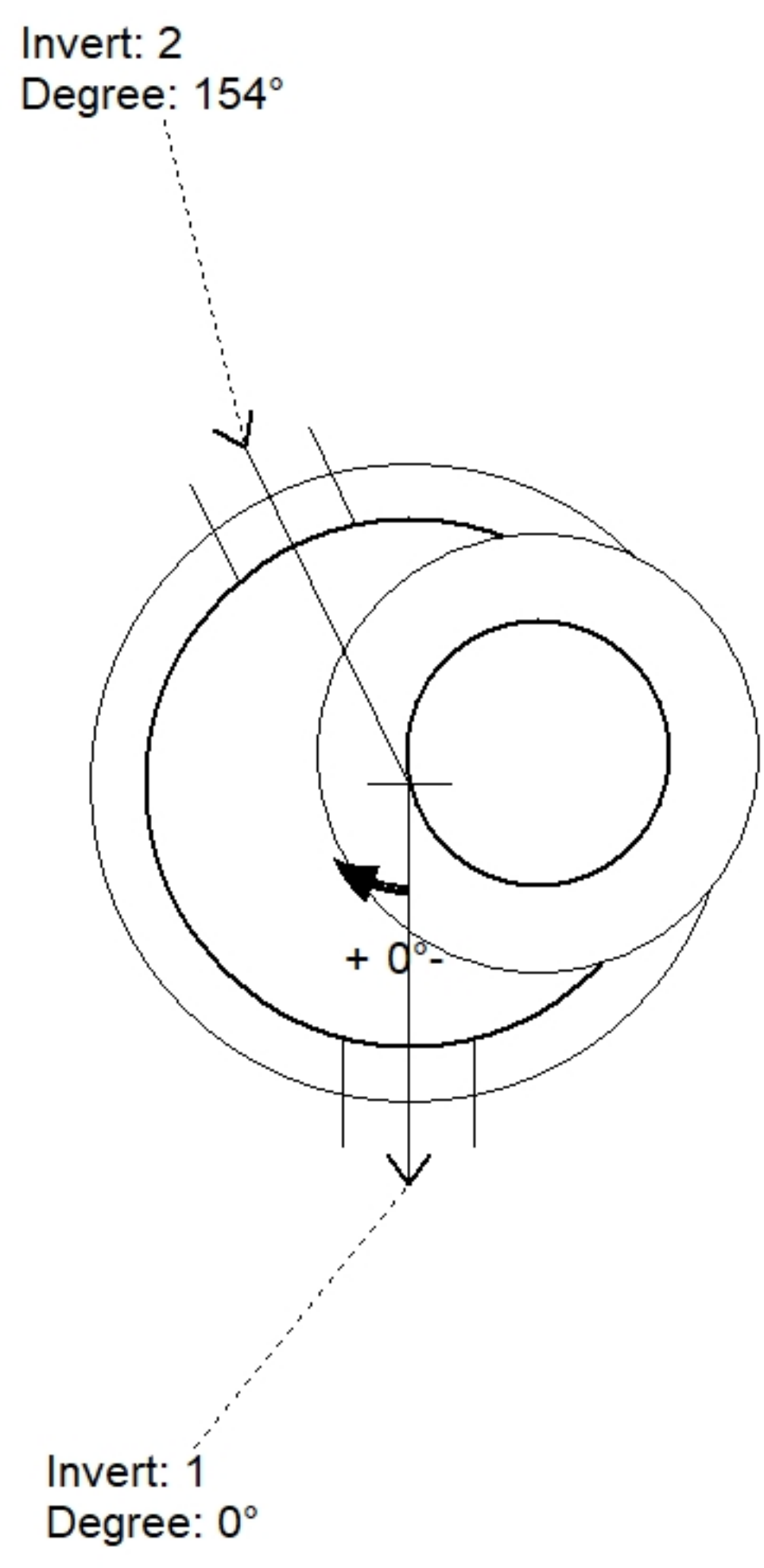
Floor (Bot): 499.613'  
 Overall Height: 8.917'  
 Slack: 0.6"

**Structure Notes:**  
 1. PER ASTM C478 SPECIFICATIONS.  
 2. CONCRETE = 4,000 PSI AT 28 DAYS.  
 3. CASTING BY OTHERS. (JBS-1155 F/C)  
 4. EXTERIOR STAINLESS STEEL JOINT STRAPS TO BE PROVIDED BY OTHERS.  
 5. NO STEPS.

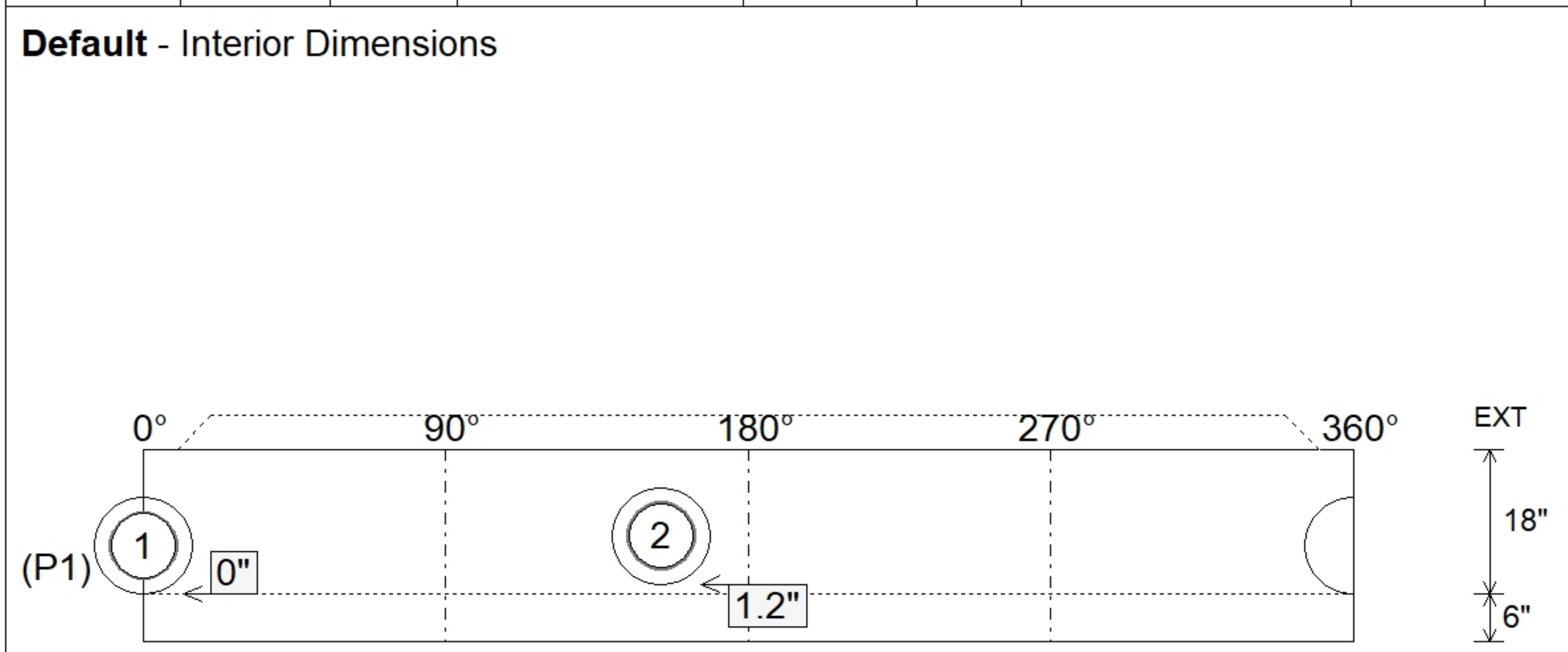
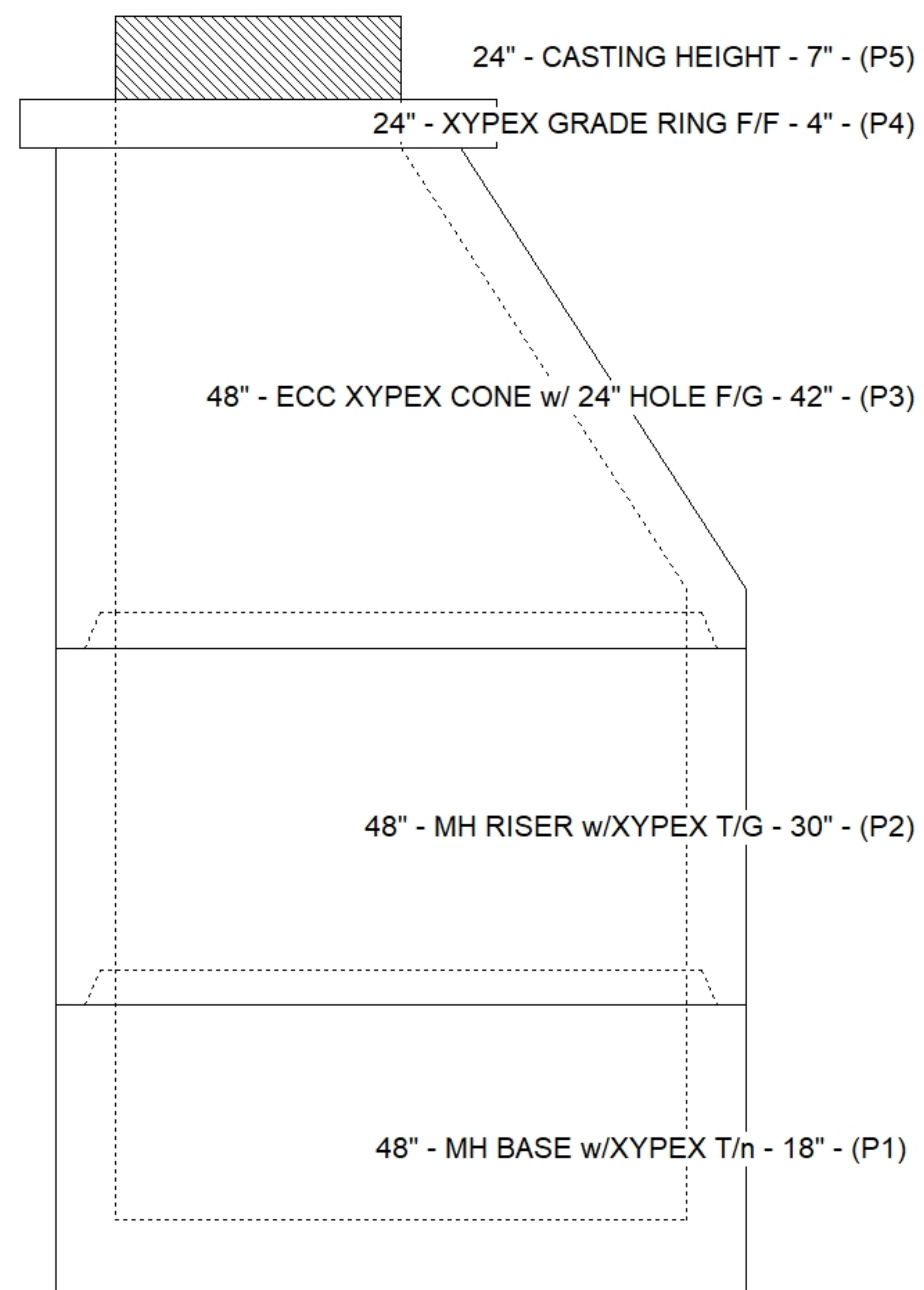
REINFORCING PER ASTM A615 (GRADE 60).  
 - CONE (As .12)  
 - RISER (As .12)  
 - FLOOR (As .31) #5 BARS AT 12" C.C.E.W.

**STRUCTURE SUMMARY:**

P5) 24" - CASTING HEIGHT - 7"	0 lb
P4) 24" - XYPEX GRADE RING F/F - 4"	270 lb
P3) 48" - ECC XYPEX CONE w/ 24" HOLE F/G - 42"	3116 lb
P2) 48" - MH RISER w/XYPEX T/G - 30"	2096 lb
P1) 48" - MH BASE w/XYPEX T/n - 18"	2492 lb
1) JOINT WRAP PRIMER - CONSEAL CS-75 (1 gal.)	0 lb
1) Conseal CS-102 1.00" (Double)	0 lb
1) JOINT WRAP - 0.065"x12"x50' CONSEAL CS212	0 lb
1) 48" - MH INVERT CHANNEL w/XYPEX - FULL HEIGHT	1440 lb
2) 48" - Conseal CS-102 1.00" (Double)	0 lb
2) PSX - 12-08 NYLO	16 lb
<b>Structure Total:</b>	<b>9430 lb</b>



Position	Elev	Angle	Pipe	Pipe OD	Hole	Connector	Up (")	Ref
Rim	508.58'							
Reducer								
Invert 1	500.28'	0°	8" PVC SDR26	8.5"	12"	PSX 12-08 NYLO	0"	P1
Invert 2	500.38'	154°	8" PVC SDR26	8.5"	12"	PSX 12-08 NYLO	1.2"	P1
Invert 3								
Invert 4								
Invert 5								
Invert 6								
Invert 7								
Invert 8								



Submittal Drawing  
 2/19/2026 11:51:43 AM

SUBMITTAL  
 APPROVED BY: