

Structure ID: B3

P2 MH048RS36X

MH RISER w/XYPEX T/G

P4) 24" - CASTING HEIGHT - 7" P3) 48" - ECC XYPEX CONE w/ 24" HOLE F/G - 30" P2) 48" - MH RISER w/XYPEX T/G - 36" P1) 48" - MH BASE w/XYPEX T/n - 24" 1) JOINT WRAP PRIMER - CONSEAL CS-75 (1 gal.) 1) Conseal CS-102 1.00" (Double) 1) JOINT WRAP - 0.065"x12"x50' CONSEAL CS212 2) 48" - Conseal CS-102 1.00" (Double) 1) PSX - 12-08 NYLO	0 lb 1981 lb 2515 lb 2959 lb 0 lb 0 lb 0 lb 0 lb 0 lb 8 lb ----- Structure Total: 7463 lb
--	--

Structure Notes:

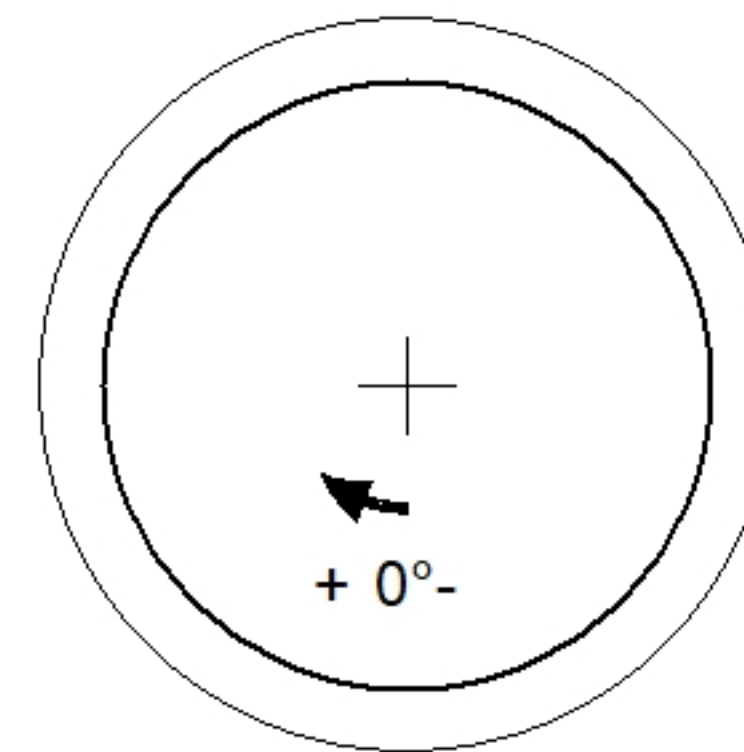
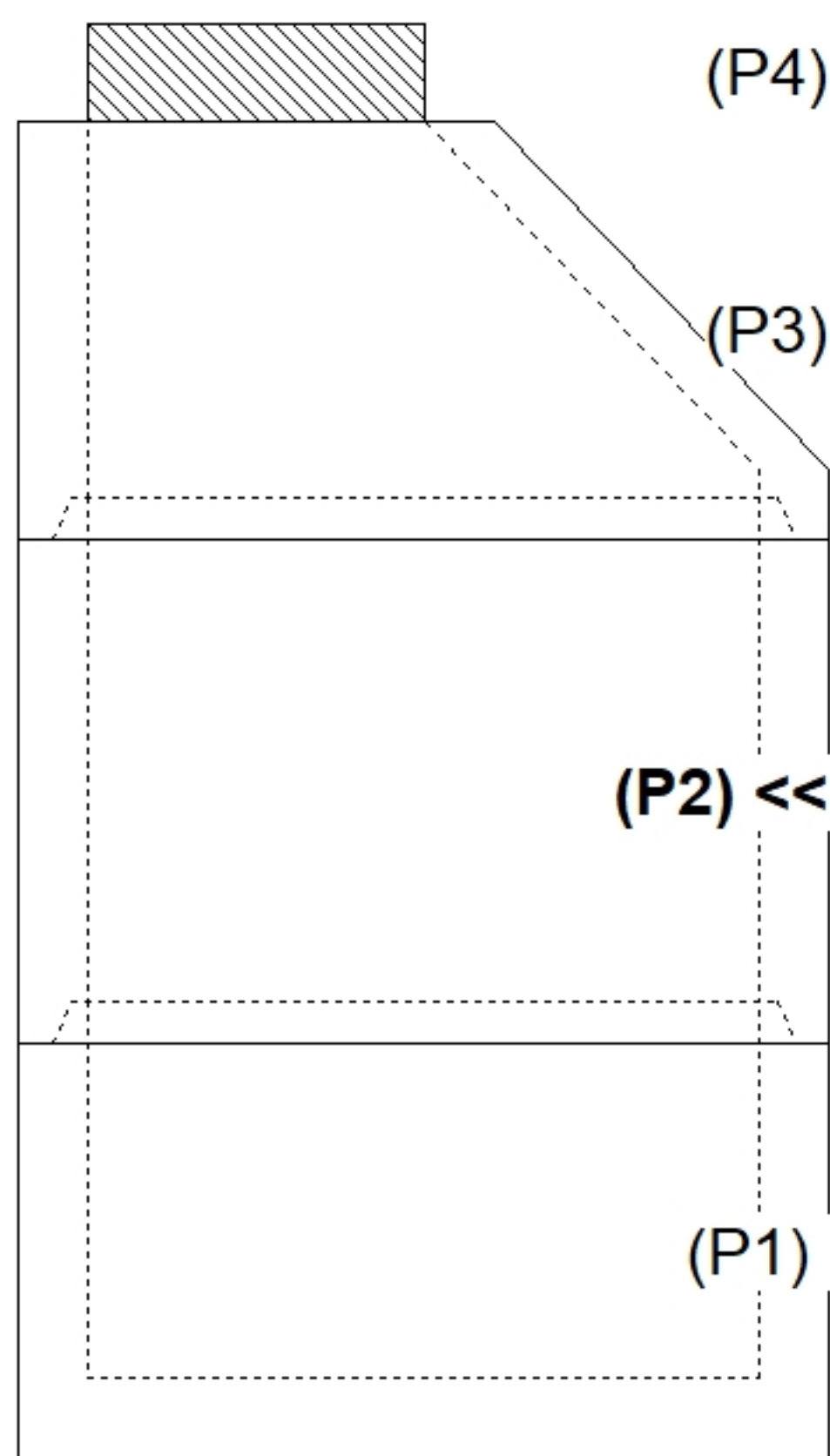
1. PER ASTM C478 SPECIFICATIONS.
2. CONCRETE = 4,000 PSI AT 28 DAYS.
3. CASTING BY OTHERS. (JBS-1155 F/C)
4. EXTERIOR STAINLESS STEEL JOINT STRAPS TO BE PROVIDED BY OTHERS.
5. NO STEPS.

REINFORCING PER ASTM A615 (GRADE 60).
 - CONE (As .12)
 - RISER (As .12)
 - FLOOR (As .31) #5 BARS AT 12" C.C.E.W.

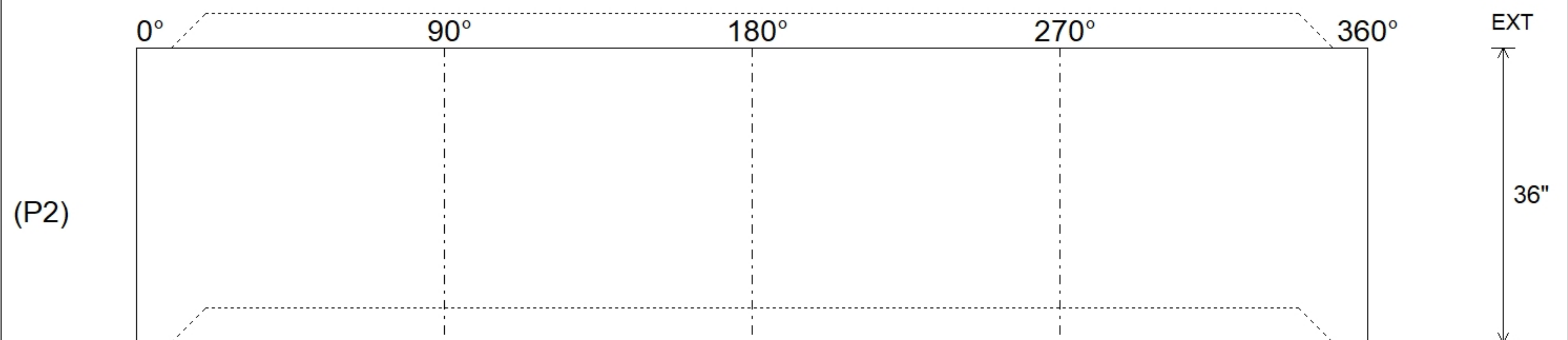
Rim: 508' Rim to Invert: 8.01' Slack: 1.12" Sump: 2" Step Position:

Position	Elev	Angle	Ext. (cw)	Pipe	Pipe OD	Connector	Hole	Horz Size	Up (L)	Offset
Invert 1										
Invert 2										
Invert 3										
Invert 4										
Invert 5										
Invert 6										
Invert 7										
Invert 8										

RIGHT-SIDE UP VIEW (int. dimensions)



INSIDE WALL DIMENSIONS



Coating (Int): Coating (Ext):	Seam Up: Tongue Seam Dn: Groove	Wall Thickness: 5" Floor Height: 0"	Height (Int): 36" Height (Ext): 36"	Weight (Net): 2515 lb Volume (Net): 0.64cu.yd
----------------------------------	------------------------------------	--	--	--