

Job Name: 25-1601B Spring Creek Parkway Phase 2 (Sanitary)
 Job Location: Clarksville, TN
 Contractor: Byard Construction, LLC

Plant: Beaver Dam

Tech: S. Felletter

2/18/2026 11:05:16 AM

PC: A. Chambers



Structure ID: B2

P3 GR4X

XYPEX GRADE RING F/F

- P4) 24" - CASTING HEIGHT - 7"
- P3) 24" - XYPEX GRADE RING F/F - 4"
- P2) 48" - ECC XYPEX CONE w/ 24" HOLE F/G - 36"
- P1) 48" - MH BASE w/XYPEX T/n - 24"
- 1) JOINT WRAP PRIMER - CONSEAL CS-75 (1 gal.)
- 1) Conseal CS-102 1.00" (Double)
- 1) JOINT WRAP - 0.065"x12"x50' CONSEAL CS212
- 1) 48" - Conseal CS-102 1.00" (Double)
- 1) PSX - 12-08 NYLO

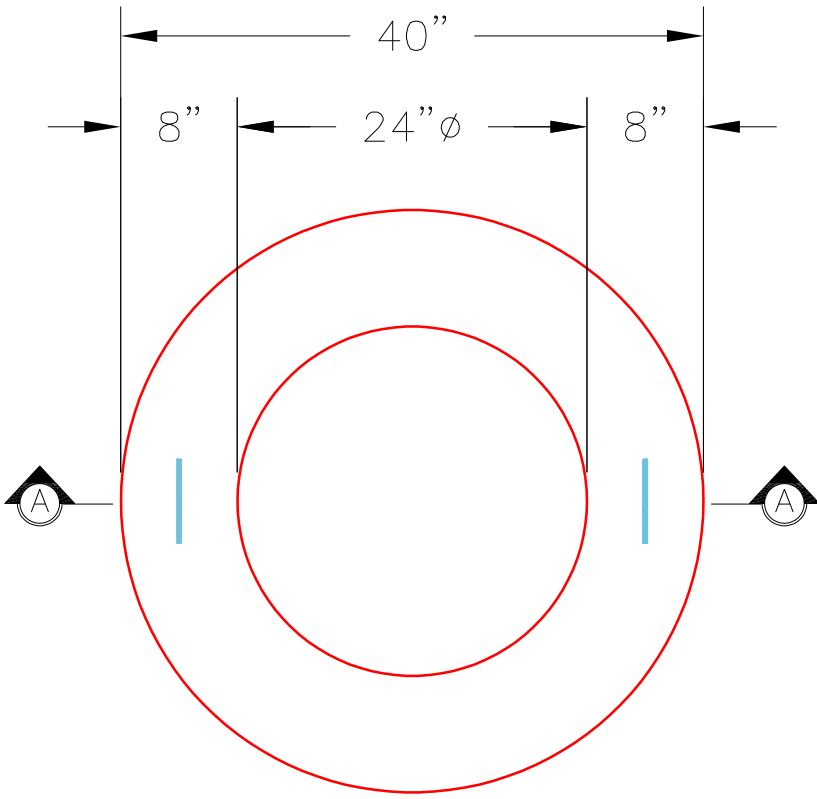
- 0 lb
- 270 lb
- 2251 lb
- 2959 lb
- 0 lb
- 0 lb
- 0 lb
- 0 lb
- 0 lb
- 8 lb

Structure Total: 5488 lb

Structure Notes:

1. PER ASTM C478 SPECIFICATIONS.
2. CONCRETE = 4,000 PSI AT 28 DAYS.
3. CASTING BY OTHERS. (JBS-1155 F/C)
4. EXTERIOR STAINLESS STEEL JOINT STRAPS TO BE PROVIDED BY OTHERS.
5. NO STEPS.

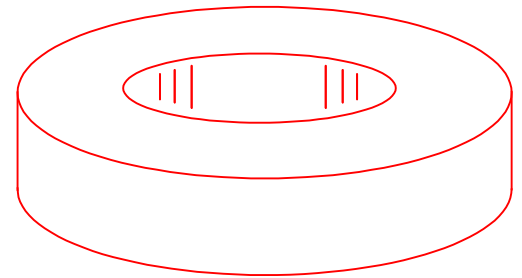
- REINFORCING PER ASTM A615 (GRADE 60).
- CONE (As .12)
 - RISER (As .12)
 - FLOOR (As .31) #5 BARS AT 12" C.C.E.W.



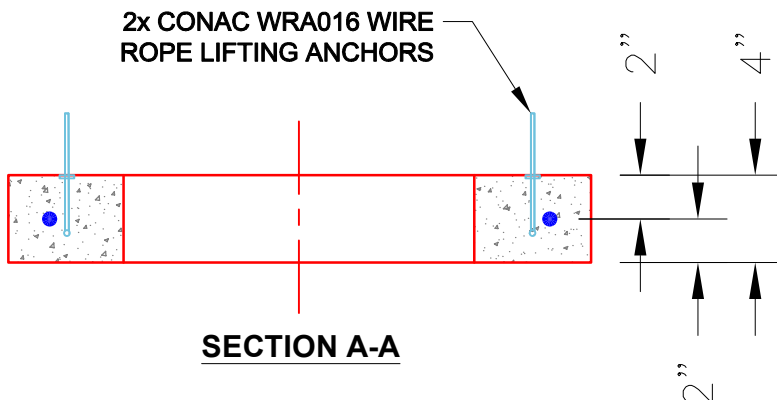
PLAN VIEW

NOTES:

1. GRADE RINGS MEET OR EXCEED THE FOLLOWING SPECIFICATIONS:
 - CONCRETE: 4,000 PSI @ 28 DAYS.
 - REINFORCING: (1) #3 HOOP CENTERED (GRADE 60)
2. WEIGHT: 4" 270 Lbs.
3. XYPEX ADMIXTURE



ISOMETRIC VIEW



SECTION A-A

Coating (Int):
 Coating (Ext):

Seam Up: Flat
 Seam Dn: Flat

Wall Thickness: 8"

Height (Ext): 4"

Weight (Net): 270 lb
 Volume (Net): 0.07cu.yd