

Job Name: 25-1601B Spring Creek Parkway Phase 2 (Sanitary)	Plant: Beaver Dam	Tech: S. Felletter	
Job Location: Clarksville, TN Contractor: Byard Construction, LLC	2/19/2026 11:53:59 AM	PC: A. Chambers	

Structure ID: B2

P2 MH048CN36X

ECC XYPEX CONE w/ 24" HOLE F/G

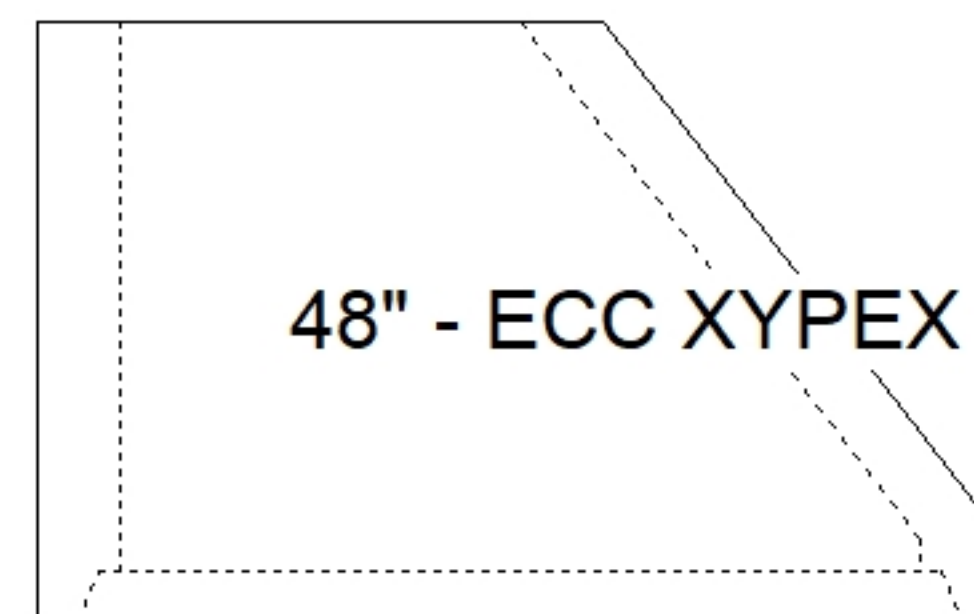
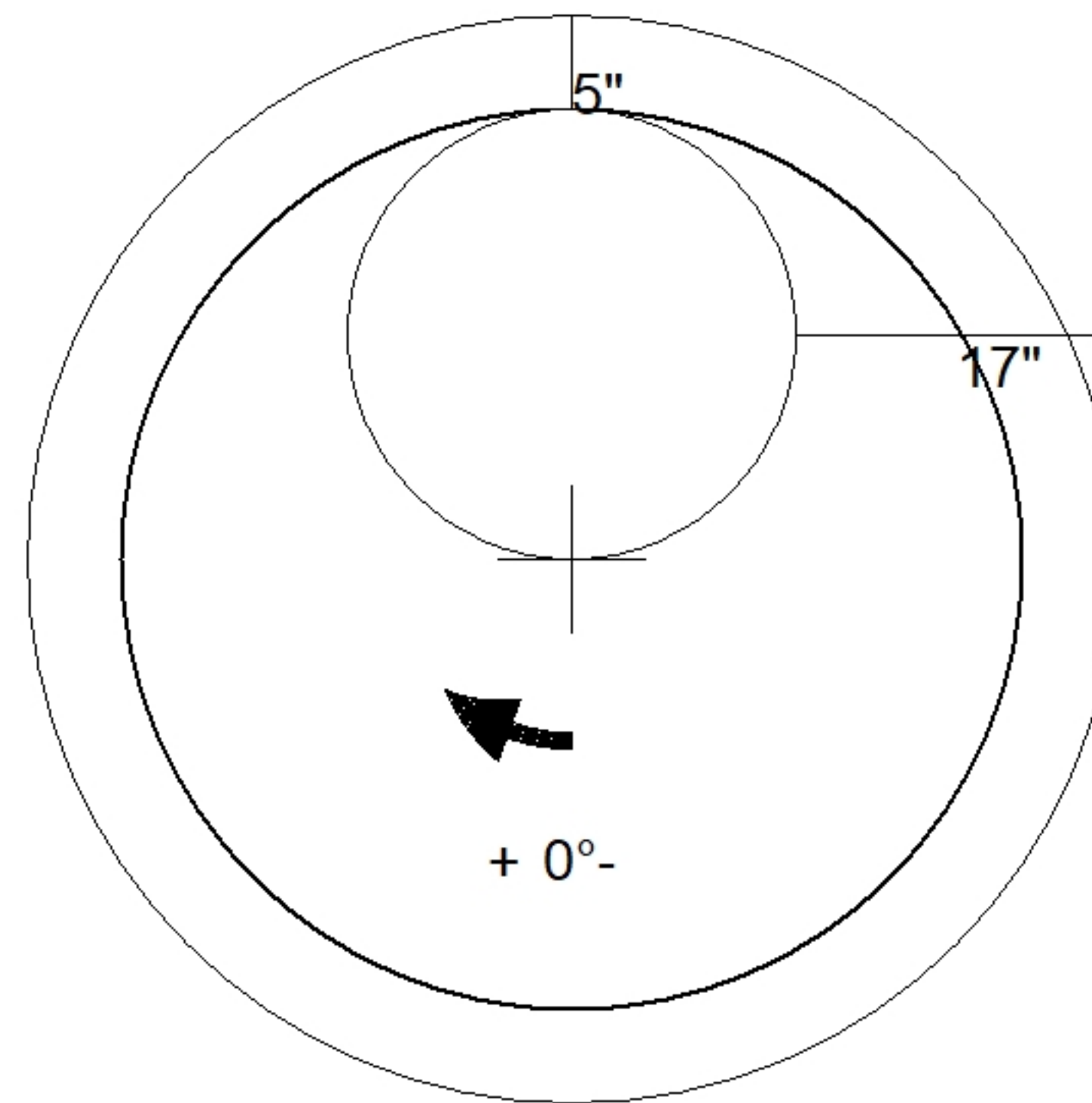
P4) 24" - CASTING HEIGHT - 7"	0 lb
P3) 24" - XYPEX GRADE RING F/F - 4"	270 lb
P2) 48" - ECC XYPEX CONE w/ 24" HOLE F/G - 36"	2251 lb
P1) 48" - MH BASE w/XYPEX T/n - 24"	2959 lb
1) JOINT WRAP PRIMER - CONSEAL CS-75 (1 gal.)	0 lb
1) Conseal CS-102 1.00" (Double)	0 lb
1) JOINT WRAP - 0.065"x12"x50' CONSEAL CS212	0 lb
1) 48" - Conseal CS-102 1.00" (Double)	0 lb
1) PSX - 12-08 NYLO	8 lb
Structure Total:	5488 lb

Structure Notes:

1. PER ASTM C478 SPECIFICATIONS.
2. CONCRETE = 4,000 PSI AT 28 DAYS.
3. CASTING BY OTHERS. (JBS-1155 F/C)
4. EXTERIOR STAINLESS STEEL JOINT STRAPS TO BE PROVIDED BY OTHERS.
5. NO STEPS.

REINFORCING PER ASTM A615 (GRADE 60).

- CONE (As .12)
- RISER (As .12)
- FLOOR (As .31) #5 BARS AT 12" C.C.E.W.



48" - ECC XYPEX CONE w/ 24" HOLE F/G - 36" - (P2)

Coating (Int):	Seam Up: Flat	Wall Thickness: 5"	Height (Ext): 36"	Weight (Net): 2251 lb
Coating (Ext):	Seam Dn: Groove			Volume (Net): 0.57cu.yd