

**Structure ID: B2**

**P1 MH048BA24X**

**MH BASE w/XYPEX T/n**

P4) 24" - CASTING HEIGHT - 7" P3) 24" - XYPEX GRADE RING F/F - 4" P2) 48" - ECC XYPEX CONE w/ 24" HOLE F/G - 36" P1) 48" - MH BASE w/XYPEX T/n - 24" 1) JOINT WRAP PRIMER - CONSEAL CS-75 (1 gal.) 1) Conseal CS-102 1.00" (Double) 1) JOINT WRAP - 0.065"x12"x50' CONSEAL CS212 1) 48" - Conseal CS-102 1.00" (Double) 1) PSX - 12-08 NYLO	0 lb 270 lb 2251 lb 2959 lb 0 lb 0 lb 0 lb 0 lb 0 lb 8 lb ----- Structure Total: 5488 lb
---	---

Structure Notes:

1. PER ASTM C478 SPECIFICATIONS.
2. CONCRETE = 4,000 PSI AT 28 DAYS.
3. CASTING BY OTHERS. (JBS-1155 F/C)
4. EXTERIOR STAINLESS STEEL JOINT STRAPS TO BE PROVIDED BY OTHERS.
5. NO STEPS.

REINFORCING PER ASTM A615 (GRADE 60).

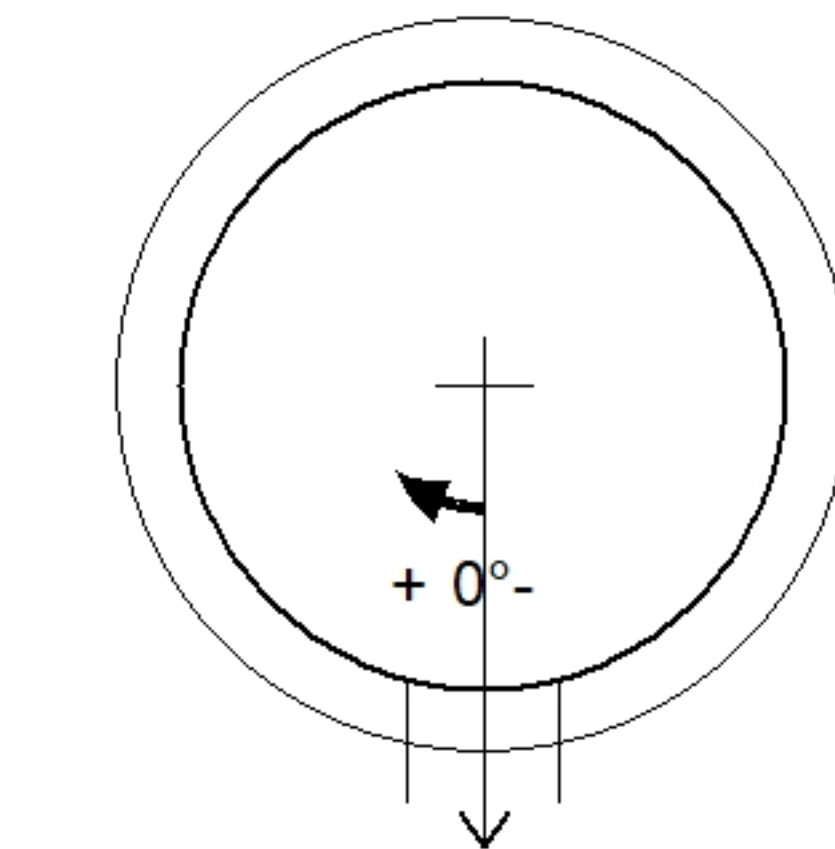
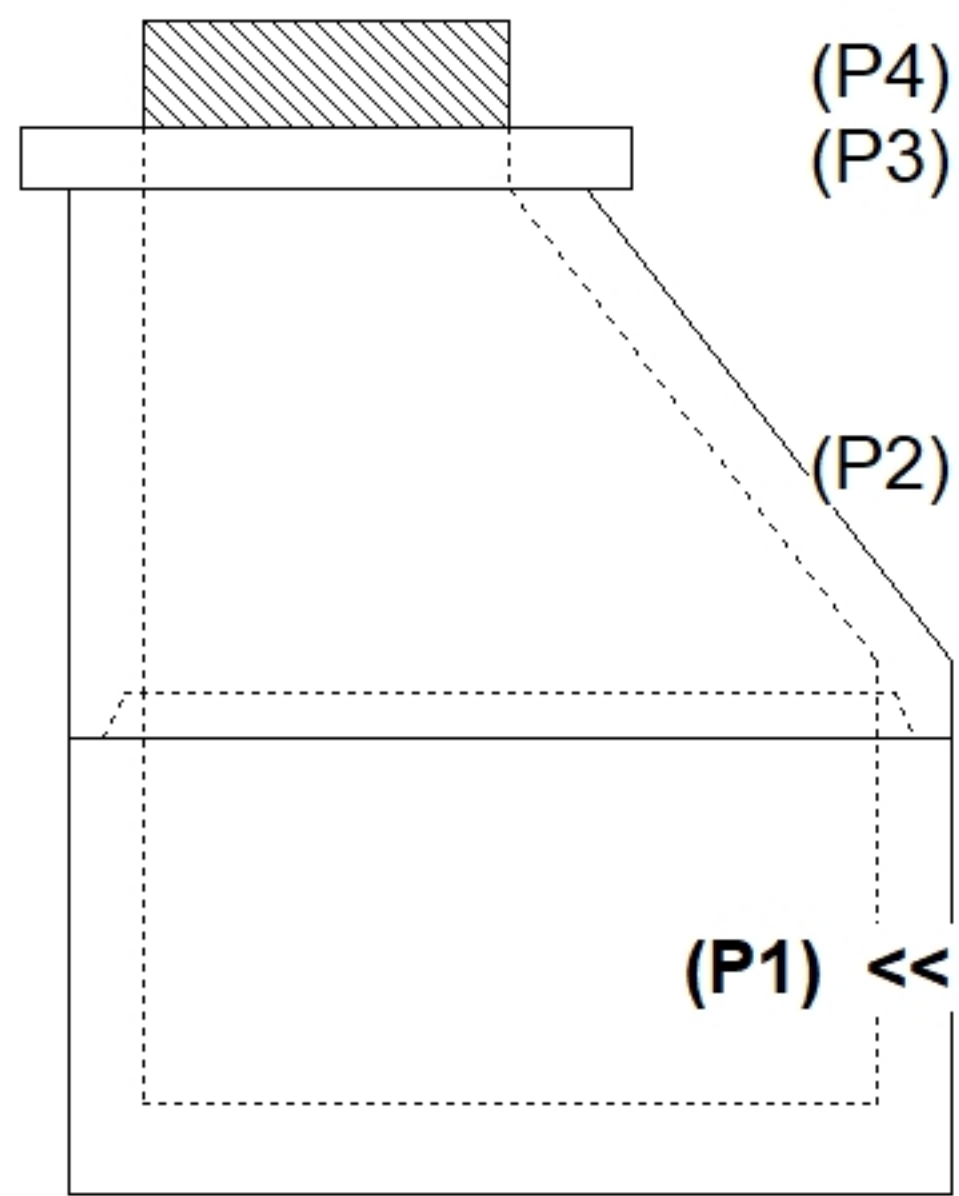
- CONE (As .12)
- RISER (As .12)
- FLOOR (As .31) #5 BARS AT 12" C.C.E.W.

Rim: 504.52'    Rim to Invert: 5.88'    Slack: 1.56"    Sump: 2"    Step Position:

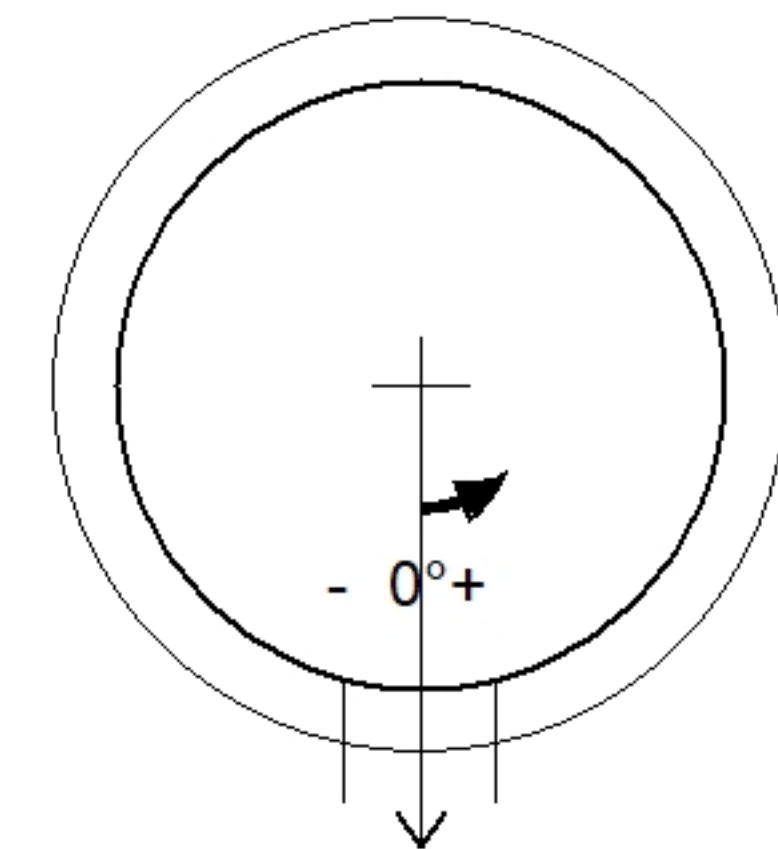
Position	Elev	Angle	Ext. (cw)	Pipe	Pipe OD	Connector	Hole	Horz Size	Up ( )	Offset
Invert 1	498.64'	0°	0"	8" PVC SDR26	8.5"	PSX 12-08 NYLO	12"	12.129"	0"	0"
Invert 2										
Invert 3										
Invert 4										
Invert 5										
Invert 6										
Invert 7										
Invert 8										

RIGHT-SIDE UP VIEW (int. dimensions)

UPSIDE-DOWN VIEW (int. dimensions)

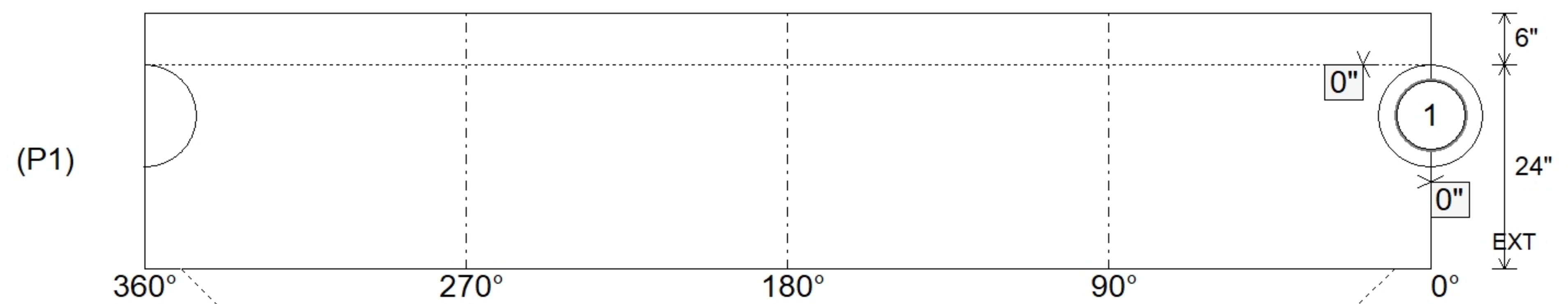


Invert: 1  
 Degree: 0°  
 Horz: 0"  
 Hole: 12"  
 Up( ): 0"



Invert: 1  
 Degree: 0°  
 Horz: 0"  
 Hole: 12"  
 Up( ): 0"

INSIDE WALL DIMENSIONS



Coating (Int):	Seam Up: Tongue	Wall Thickness: 5"	Height (Int): 24"
Coating (Ext):	Seam Dn: n/a	Floor Height: 6"	Height (Ext): 30"
		Weight (Net): 2959 lb	
		Volume (Net): 0.76cu.yd	