

**Job Name: 25-1601 Spring Creek Parkway Phase 2 (Storm)**  
**Job Location: Clarksville, TN**  
**Contractor: Byard Construction, LLC**

PC: A. Chambers  
 TECH: S. Felletter  
 Plant: Beaver Dam



Structure ID: **EX-5**  
 Spec: TDOT  
 Type: CB TYPE 12RA  
 Size: 48"

Rim: 509.71'  
 Invert: 505.02'  
 Rim to Invert: 4.69'

Sump: 2.5"  
 Floor (Top): 504.812'  
 Floor Height: 6"

Floor (Bot): 504.312'  
 Overall Height: 5.333'  
 Slack: 0.78"

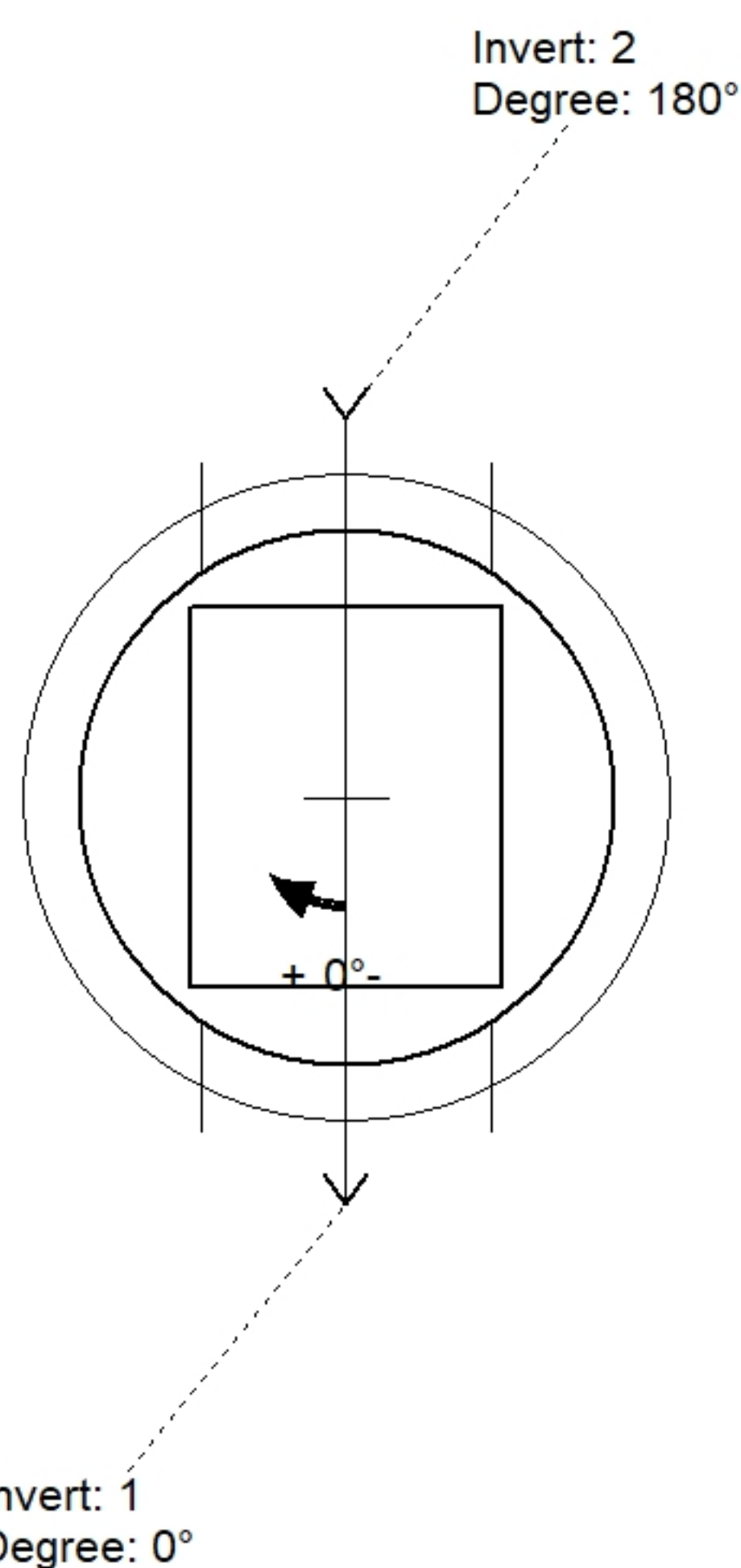
**Structure Notes:**

- PER TDOT D-CB-12RA / ASTM C478 SPEC'S.
- CONCRETE = 4,000 PSI AT 28 DAYS.
- NO INVERT CHANNEL.
- CASTING BY OTHERS (TNDOT TY. 12 - JBS 3123 MOD F/G/H).

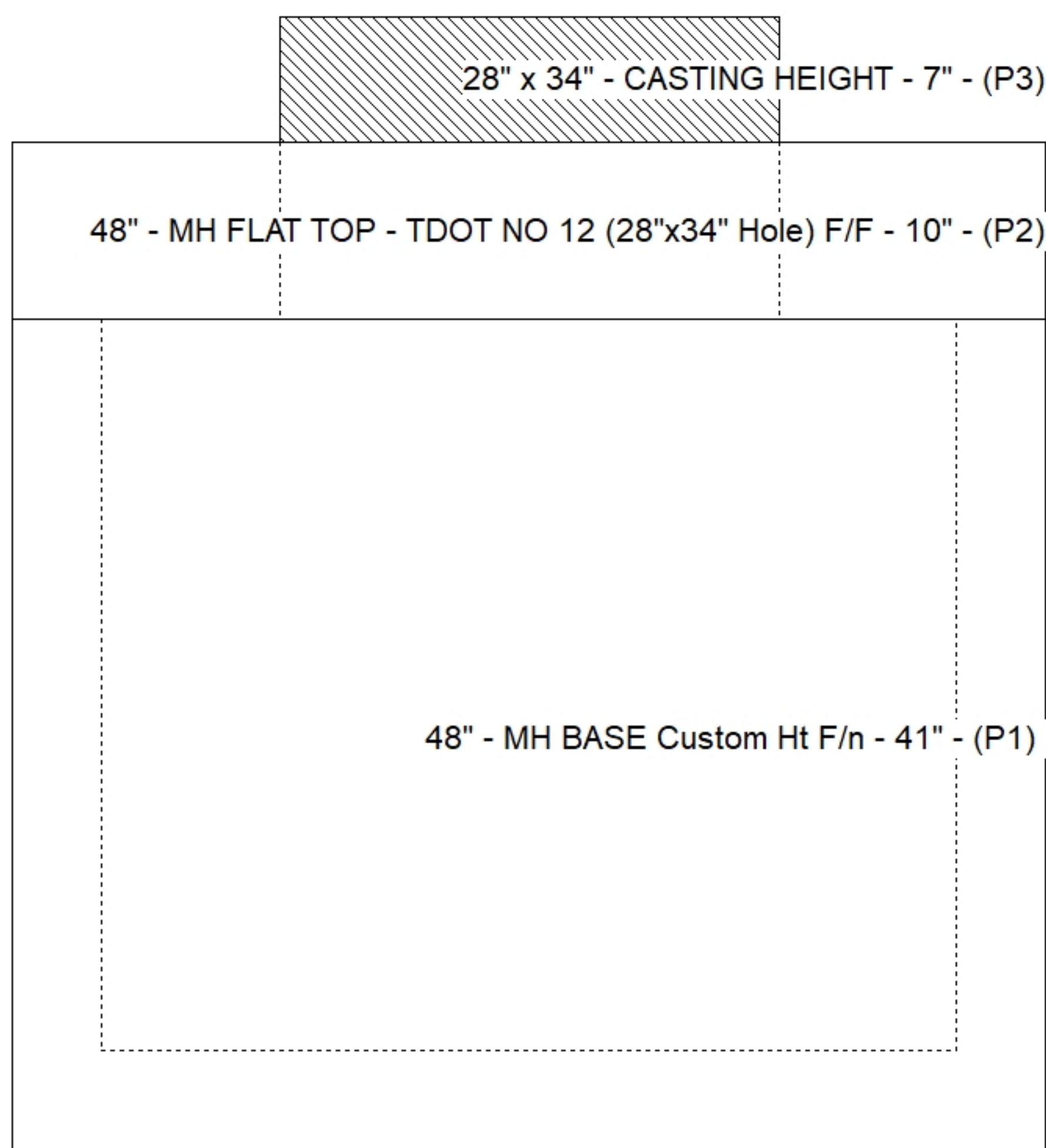
REINFORCING PER ASTM A615 (GRADE 60).  
 \*\* PER TDOT STD DRAWING D-CB-12RA \*\*  
 - TOP SLAB - DBL MAT #5 BARS.  
 - RISER (As .24)  
 - FLOOR (As .62) #5 BARS AT 6" C.C.E.W.

**STRUCTURE SUMMARY:**

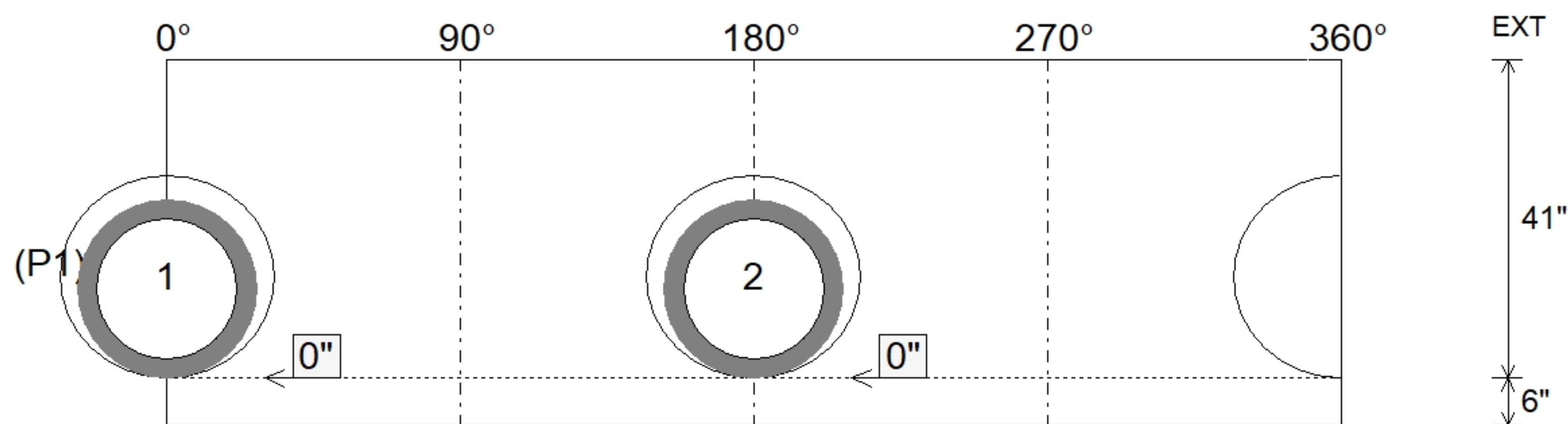
P3) 28" x 34" - CASTING HEIGHT - 7"	0 lb
P2) 48" - MH FLAT TOP - TDOT NO 12 (28"x34" Hole) F/F - 10"	1497 lb
P1) 48" - MH BASE Custom Ht F/n - 41"	3728 lb
1) 48" - Conseal CS-102 1.00"	0 lb
1) 28" x 34" - Conseal CS-102 1.00"	0 lb
2) Hole - 26	0 lb
<b>Structure Total:</b>	<b>5225 lb</b>



Position	Elev	Angle	Pipe	Pipe OD	Hole	Connector	Up ( )	Ref
Rim	509.71'							
Reducer								
Invert 1	505.02'	0°	18" RCP B WALL	23"	26"	Hole 26	0"	P1
Invert 2	505.02'	180°	18" RCP B WALL	23"	26"	Hole 26	0"	P1
Invert 3								
Invert 4								
Invert 5								
Invert 6								
Invert 7								
Invert 8								



**Default - Interior Dimensions**



Submittal Drawing  
 3/20/2026 8:46:25 AM

SUBMITTAL  
 APPROVED BY: