

Job Name: 25-1601 Spring Creek Parkway Phase 2 (Storm)	Plant: Beaver Dam	Tech: S. Felletter	
Job Location: Clarksville, TN Contractor: Byard Construction, LLC	3/20/2026 8:46:50 AM	PC: A. Chambers	

Structure ID: EX-5

P1 MH048BAVF

MH BASE Custom Ht F/n

P3) 28" x 34" - CASTING HEIGHT - 7"	0 lb
P2) 48" - MH FLAT TOP - TDOT NO 12 (28"x34" Hole) F/F - 10"	1497 lb
P1) 48" - MH BASE Custom Ht F/n - 41"	3728 lb
1) 48" - Conseal CS-102 1.00"	0 lb
1) 28" x 34" - Conseal CS-102 1.00"	0 lb
2) Hole - 26	0 lb
Structure Total:	5225 lb

Structure Notes:

- PER TDOT D-CB-12RA / ASTM C478 SPEC'S.
- CONCRETE = 4,000 PSI AT 28 DAYS.
- NO INVERT CHANNEL.
- CASTING BY OTHERS (TNDOT TY. 12 - JBS 3123 MOD F/G/H).

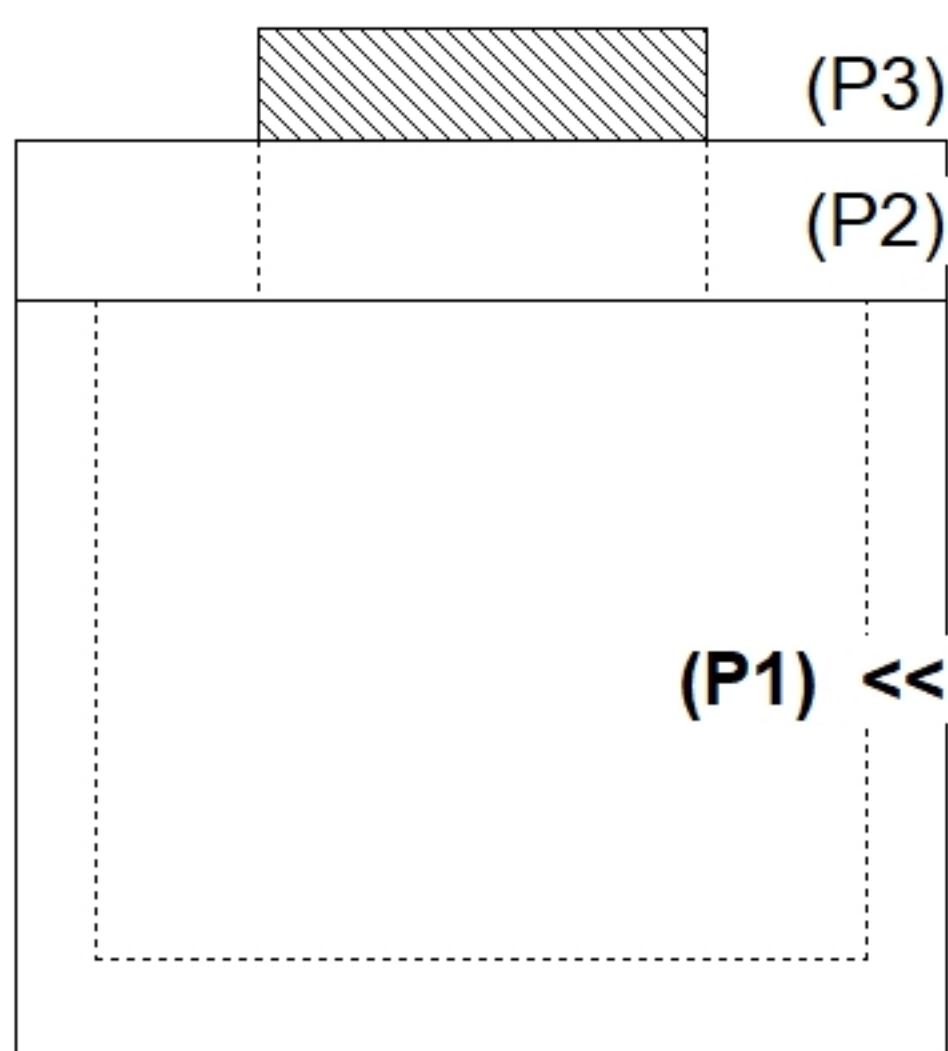
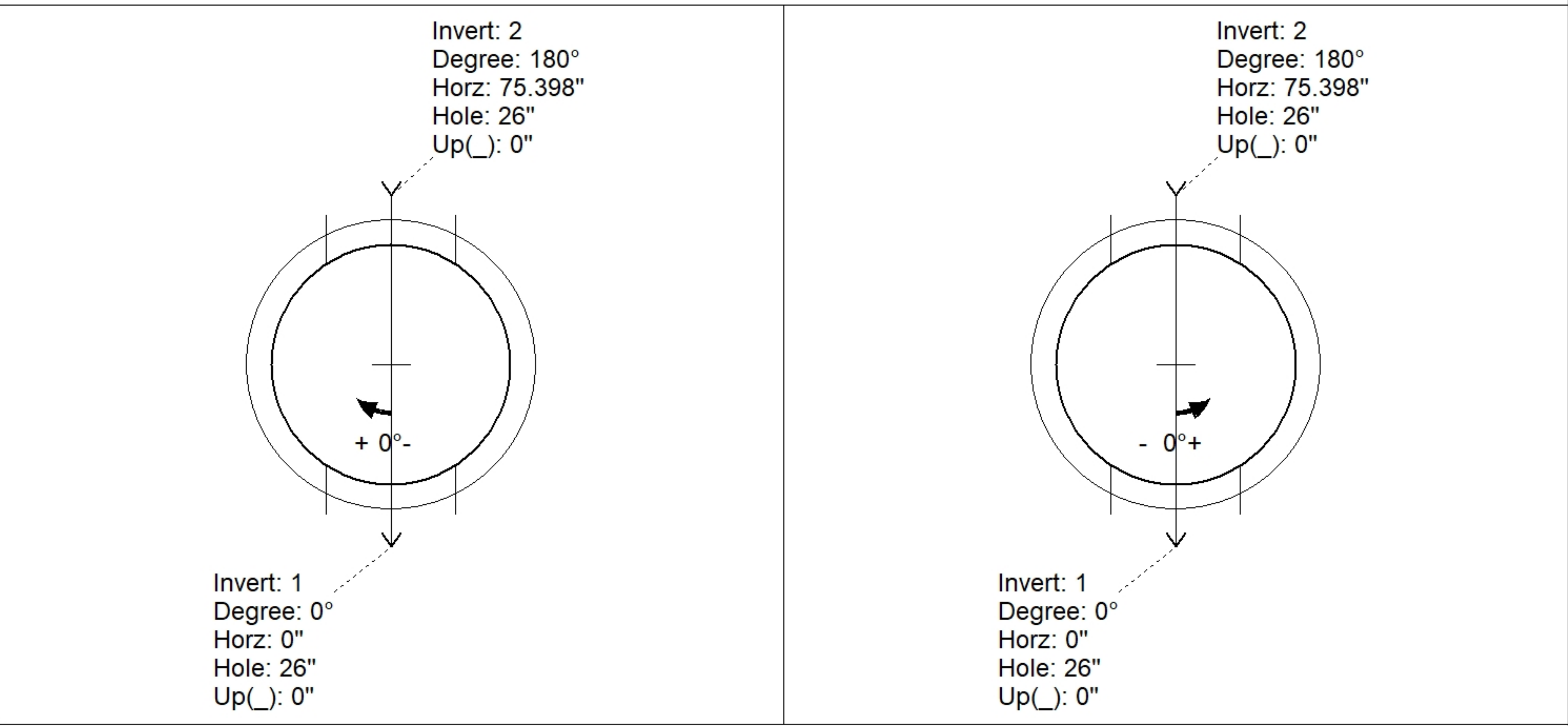
REINFORCING PER ASTM A615 (GRADE 60).
**** PER TDOT STD DRAWING D-CB-12RA ****
 - TOP SLAB - DBL MAT #5 BARS.
 - RISER (As .24)
 - FLOOR (As .62) #5 BARS AT 6" C.C.E.W.

Rim: 509.71' Rim to Invert: 4.69' Slack: 0.78" Sump: 2.5" Step Position:

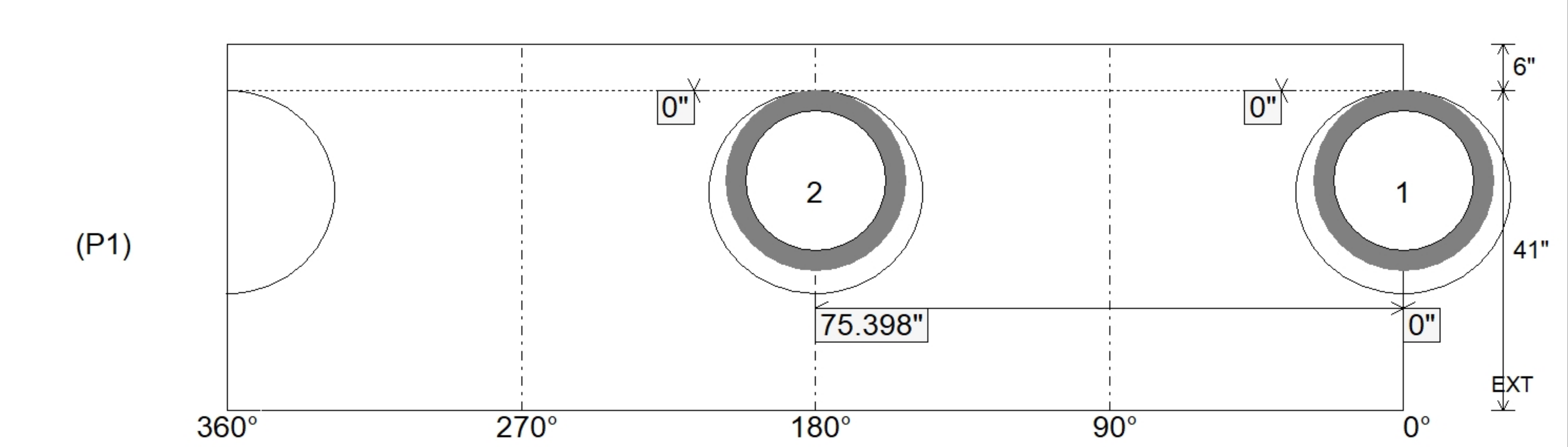
Position	Elev	Angle	Ext. (cw)	Pipe	Pipe OD	Connector	Hole	Horz Size	Up ()	Offset
Invert 1	505.02'	0°	0"	18" RCP B WALL	23"	Hole 26	26"	27.476"	0"	0"
Invert 2	505.02'	180°	91.106"	18" RCP B WALL	23"	Hole 26	26"	27.476"	0"	0"
Invert 3										
Invert 4										
Invert 5										
Invert 6										
Invert 7										
Invert 8										

RIGHT-SIDE UP VIEW (int. dimensions)

UPSIDE-DOWN VIEW (int. dimensions)



INSIDE WALL DIMENSIONS



Coating (Int):	Seam Up: Flat	Wall Thickness: 5"	Height (Int): 41"	Weight (Net): 3728 lb
Coating (Ext):	Seam Dn: n/a	Floor Height: 6"	Height (Ext): 47"	Volume (Net): 0.95cu.yd