

Job Name: 25-1601 Spring Creek Parkway Phase 2 (Storm)  
 Job Location: Clarksville, TN  
 Contractor: Byard Construction, LLC

Plant: Beaver Dam  
 3/18/2026 8:50:52 AM

Tech: S. Felletter  
 PC: A. Chambers



**Structure ID: CB-20D**

**P2 BX036048-10LD08W-SP**

**BX FLAT LID 8"W - TDOT 12P (28"x34" Hole) F/F**

- P3) 28" x 34" - CASTING HEIGHT - 7"
- P2) 36" x 48" - BX FLAT LID 8"W - TDOT 12P (28"x34" Hole) F/F - 10"
- P1) 36" x 48" - BOX BASE 8inW, 8inF, Variable Ht F/n - 34"
- 1) 36" x 48" - Conseal CS-102 1.00"
- 1) 28" x 34" - Conseal CS-102 1.00"
- 1) Hole - 26
- 2) Hole - 25
- 1) Hole - 6

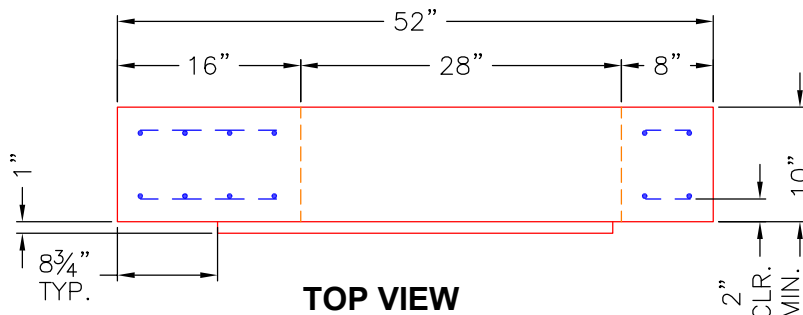
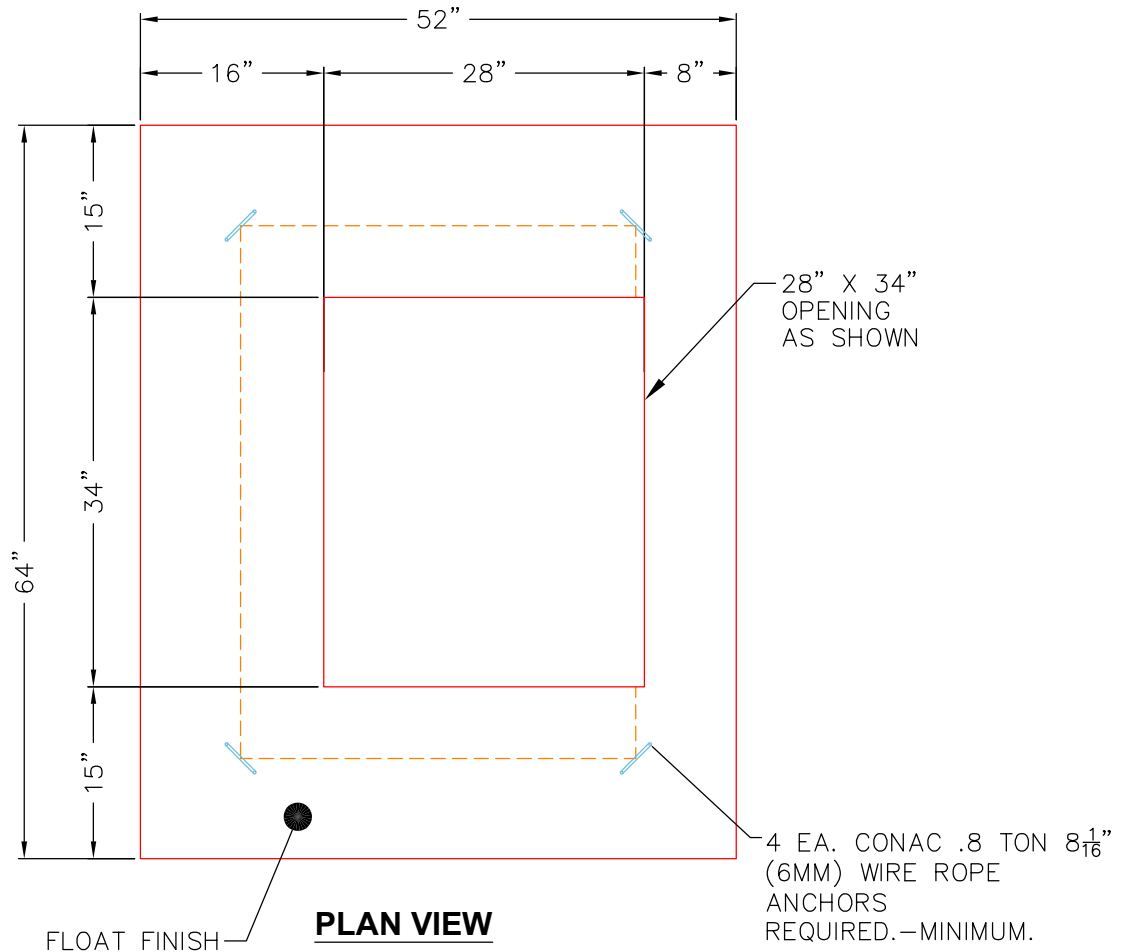
0 lb  
 2044 lb  
 5692 lb  
 0 lb  
 0 lb  
 0 lb  
 0 lb  
 0 lb

Structure Total: 7735 lb

Structure Notes:

1. PER TDOT D-CB-12S / ASTM C913 SPEC'S.
2. CONCRETE = 4,000 PSI AT 28 DAYS.
3. NO INVERT CHANNEL.
4. CASTING BY OTHERS (TDOT TY.12 - JBS 3123 MOD F/G/H).

REINFORCING PER ASTM A615 (GRADE 60).  
 \*\* SEE TDOT STD DRAWING D-CB-12S \*\*  
 - TOP SLAB - DBL MAT #5 BARS.  
 - WALLS (As .47) #5 BARS AT 8" C.C.E.W.  
 - FLOOR (As .47) #5 BARS AT 8" C.C.E.W.



Coating (Int):  
 Coating (Ext):

Seam Up: Flat  
 Seam Dn: Flat

Wall Thickness: 8"

Height (Ext): 10"

Weight (Net): 2044 lb  
 Volume (Net): 0.52cu.yd