

Job Name: 25-1601 Spring Creek Parkway Phase 2 (Storm)
Job Location: Clarksville, TN
Contractor: Byard Construction, LLC

PC: A. Chambers
 TECH: S. Felletter
 Plant: Beaver Dam



Structure ID: **CB-20C**
 Spec: TDOT
 Type: CB TYPE 12RB
 Size: 60"

Rim: 509.23'
 Invert: 504'
 Rim to Invert: 5.23'

Sump: 3"
 Floor (Top): 503.75'
 Floor Height: 8"

Floor (Bot): 503.083'
 Overall Height: 6.083'
 Slack: 0.76"

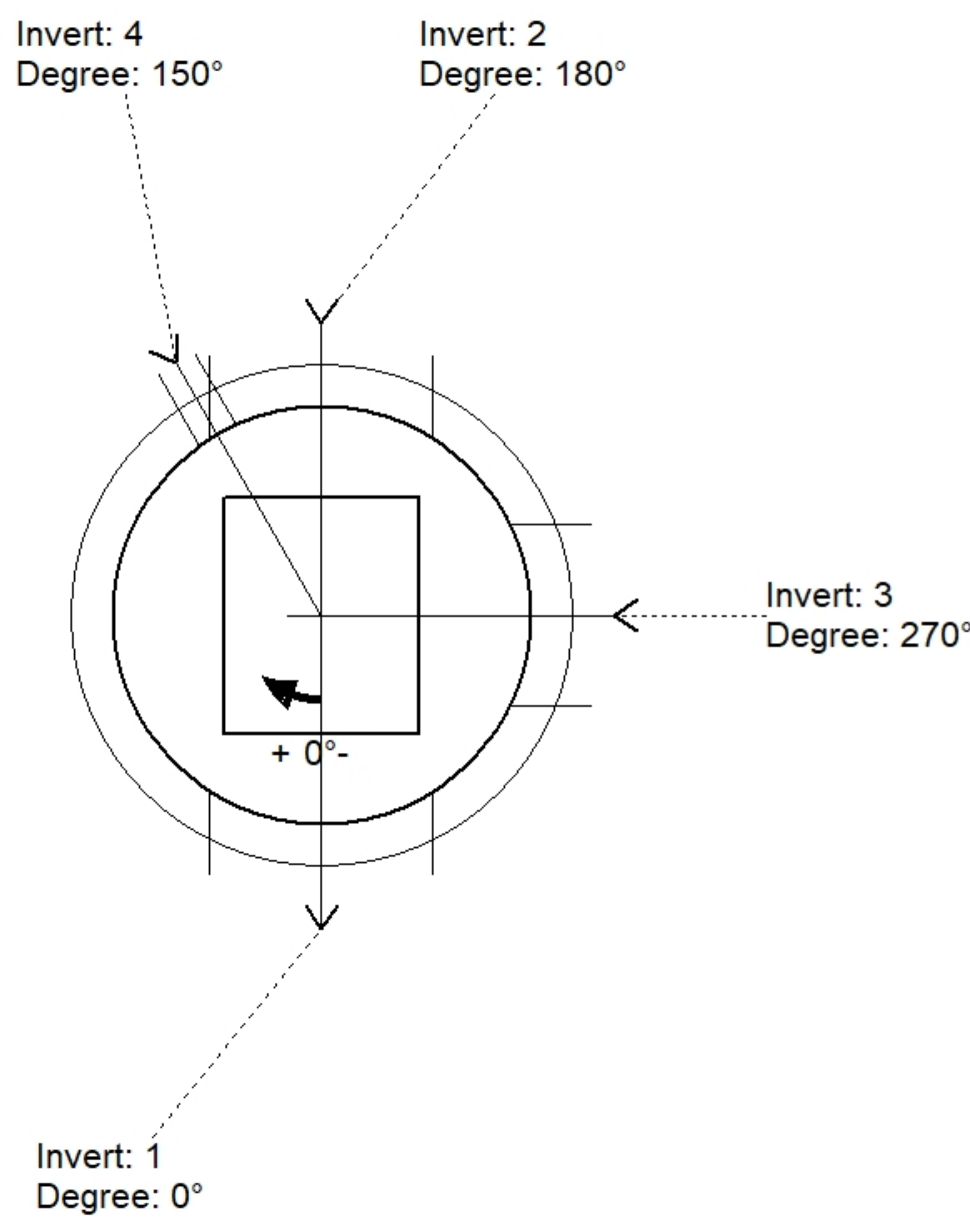
Structure Notes:
 1. PER TDOT D-CB-12RB / ASTM C478 SPEC'S.
 2. CONCRETE = 4,000 PSI AT 28 DAYS.
 3. NO INVERT CHANNEL.
 4. CASTING BY OTHERS (TNDOT TY. 12 - JBS 3123 MOD F/G/H).

REINFORCING PER ASTM A615 (GRADE 60).
 ** PER TDOT STD DRAWING D-CB-12RB **
 - TOP SLAB - DBL MAT #5 BARS.
 - RISER (As .18)
 - FLOOR (As .62) #5 BARS AT 6" C.C.E.W.

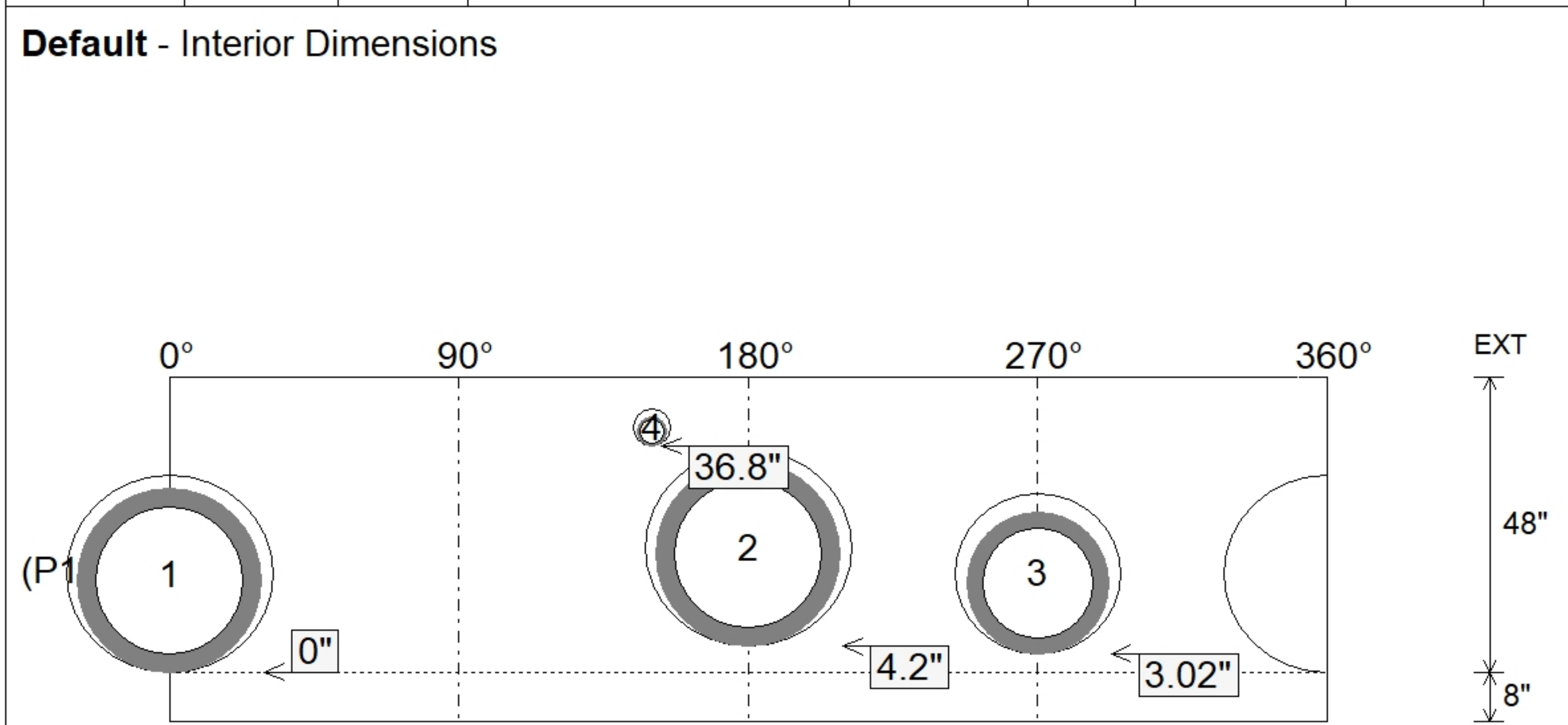
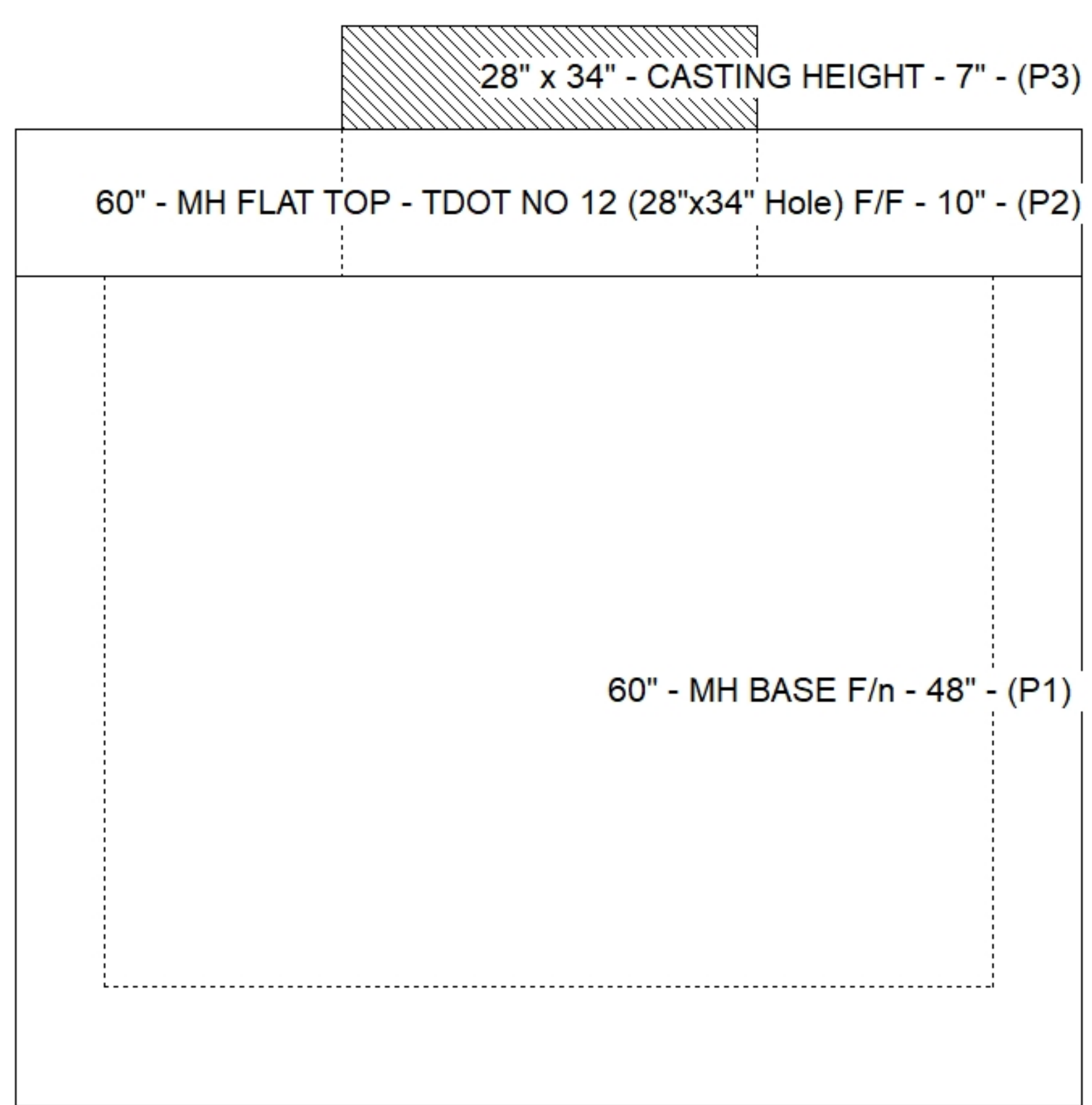
RFI - VERIFY REQ. PIPE SIZE BETWEEN CB'S 20 & 20C. PLAN VIEW NOTES 18", DRAINAGE TABLE SHOWS 24". ASSUMED 24" RCP.

STRUCTURE SUMMARY:

P3) 28" x 34" - CASTING HEIGHT - 7"	0 lb
P2) 60" - MH FLAT TOP - TDOT NO 12 (28"x34" Hole) F/F - 10"	3417 lb
P1) 60" - MH BASE F/n - 48"	6608 lb
1) 60" - Conseal CS-102 1.00"	0 lb
1) 28" x 34" - Conseal CS-102 1.00"	0 lb
2) Hole - 32	0 lb
1) Hole - 26	0 lb
1) Hole - 6	0 lb
Structure Total:	10025 lb



Position	Elev	Angle	Pipe	Pipe OD	Hole	Connector	Up (")	Ref
Rim	509.23'							
Reducer								
Invert 1	504'	0°	24" RCP B WALL	30"	32"	Hole 32	0"	P1
Invert 2	504.35'	180°	24" RCP B WALL	30"	32"	Hole 32	4.2"	P1
Invert 3	504.21'	270°	18" RCP B WALL	23"	26"	Hole 26	3.02"	P1
Invert 4	506.85'	150°	4" HDPE (perf pipe)	4.8"	6"	Hole 6	36.8"	P1
Invert 5								
Invert 6								
Invert 7								
Invert 8								



Submittal Drawing
 3/20/2026 8:46:24 AM

SUBMITTAL
 APPROVED BY: