

**Structure ID: CB-20B**

**P1 BX3232-08BAVF**

**BOX BASE 8inW, 8inF, Variable Ht F/n**

P2) 32" x 32" - CASTING HEIGHT - 7" P1) 32" x 32" - BOX BASE 8inW, 8inF, Variable Ht F/n - 45" 1) 32" x 32" - Conseal CS-102 1.00" 2) Hole - 26 1) Hole - 6	0 lb 5648 lb 0 lb 0 lb 0 lb ----- Structure Total: 5648 lb
---	--

**Structure Notes:**  
 1. PER TDOT D-CB-12LP / ASTM C913 SPEC'S.  
 2. CONCRETE = 4,000 PSI AT 28 DAYS.  
 3. CASTING BY OTHERS (TNDOT TY.12 - JBS 3123 MOD F/G/H).

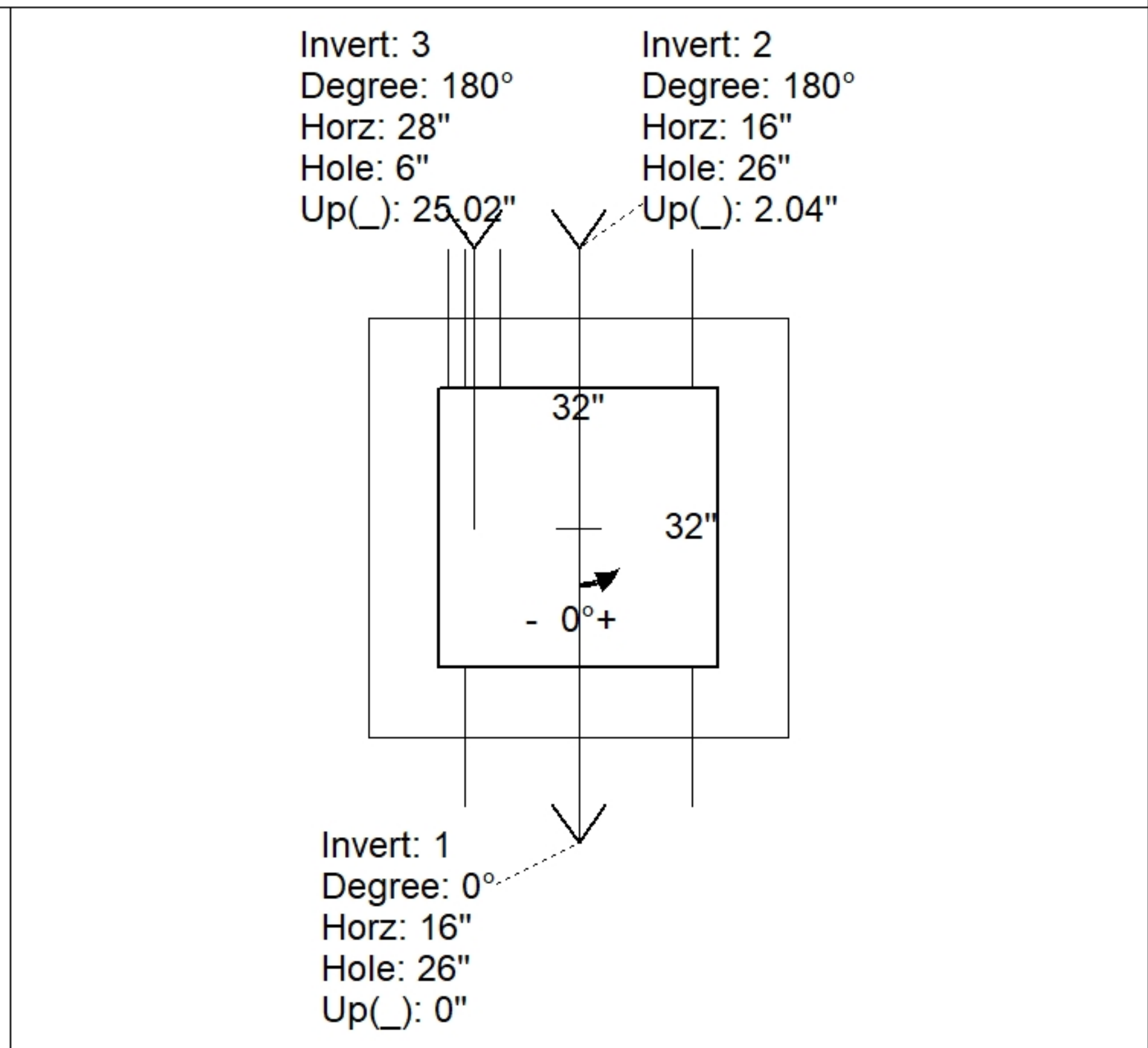
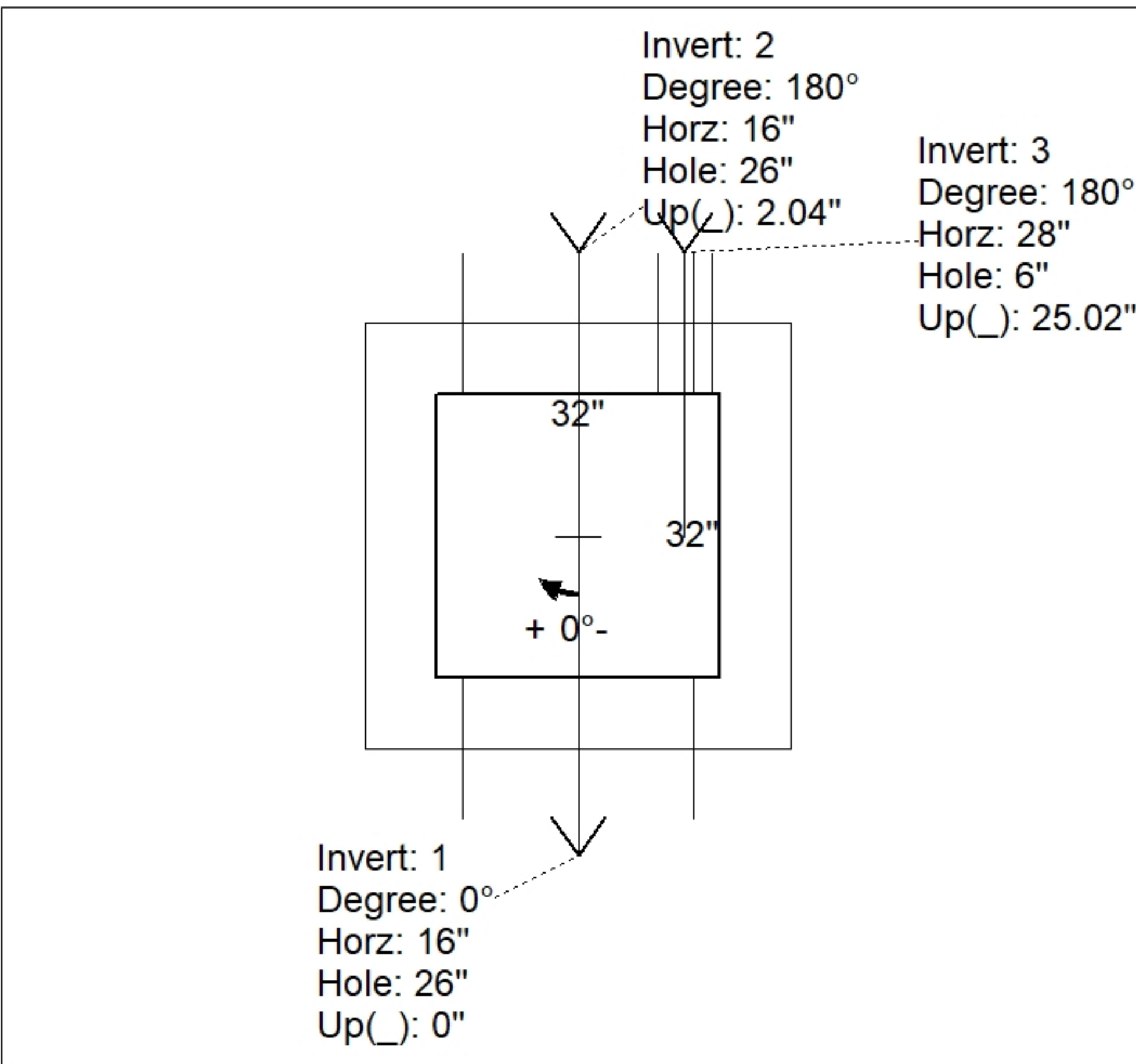
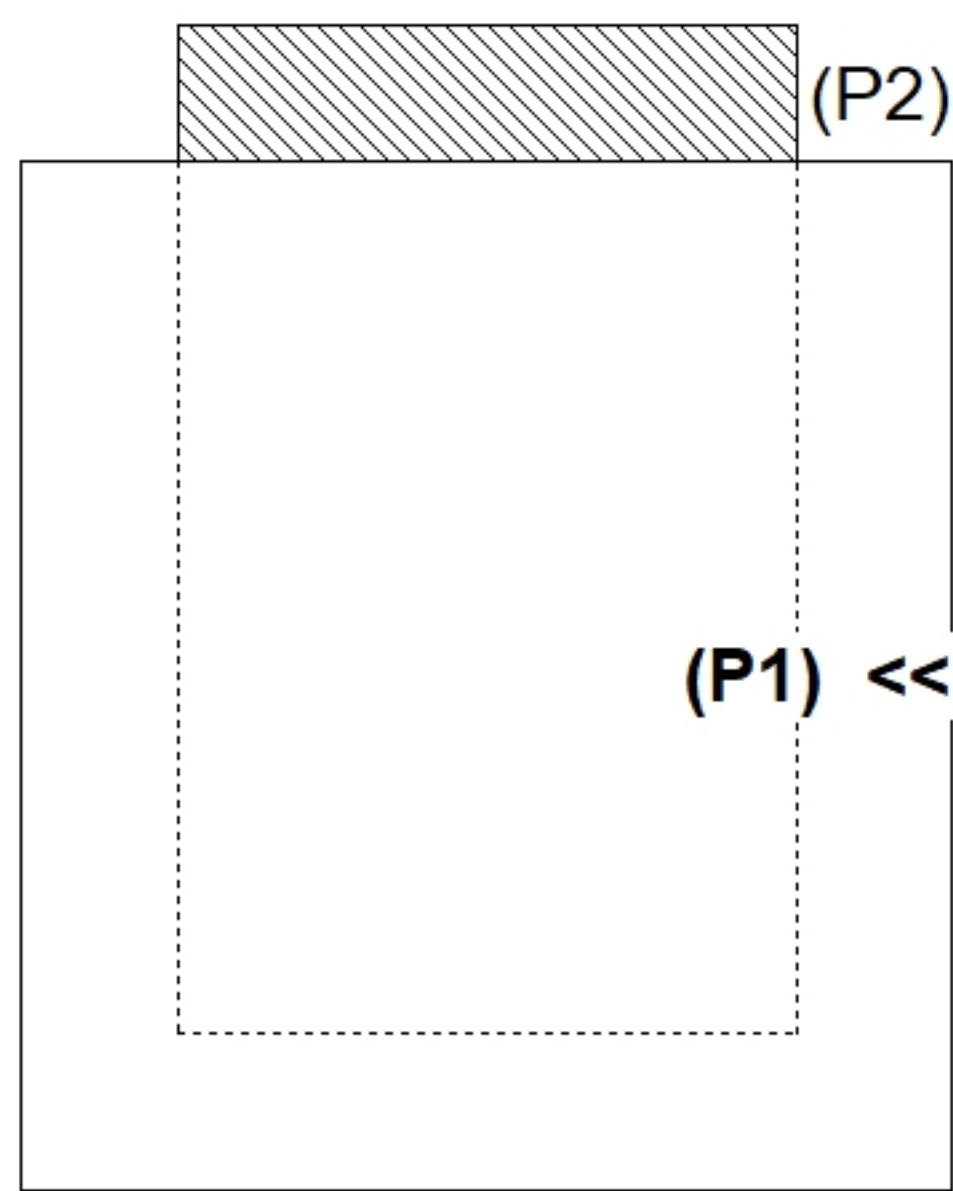
REINFORCING PER ASTM A615 (GRADE 60).  
 \*\*SEE TDOT STD DRAWINGS D-CB-12LP\*\*  
 - WALLS (As .62) #5 BARS AT 6" C.C.E.W.  
 - FLOOR (As .62) #5 BARS AT 6" C.C.E.W.

Rim: 509.23'    Rim to Invert: 4.16'    Slack: 0.42"    Sump: 2.5"    Step Position:

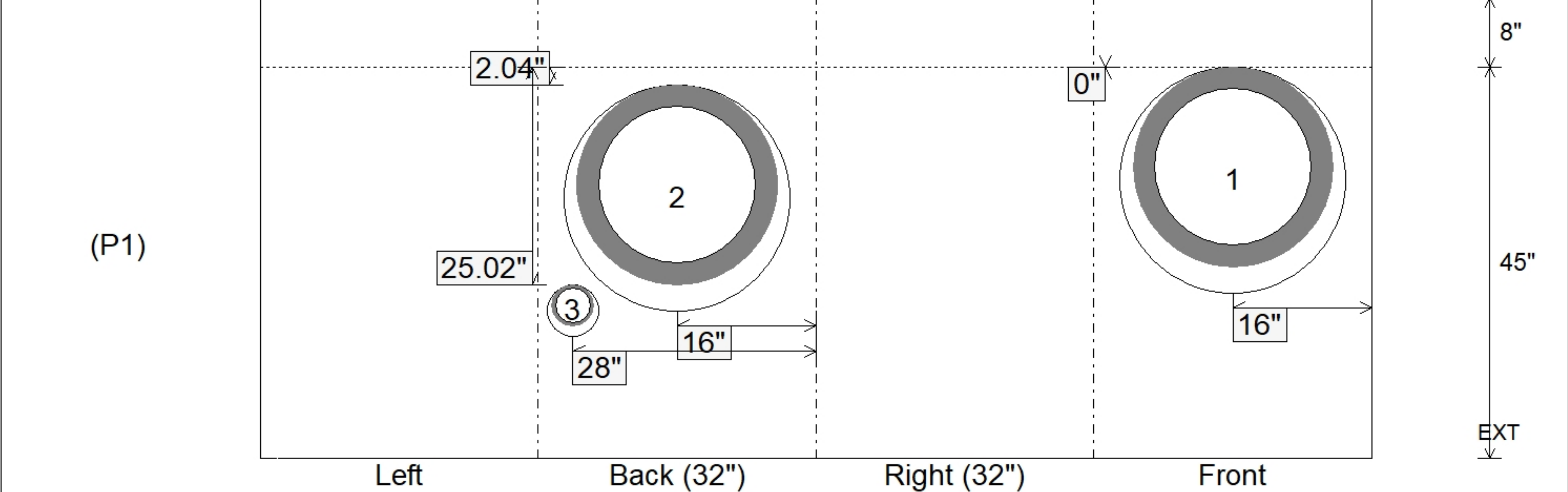
Position	Elev	Angle	Ext. (cw)	Pipe	Pipe OD	Connector	Hole	Horz Size	Up ( )	Offset
Invert 1	505.07'	0°	24"	18" RCP B WALL	23"	Hole 26	26"	26"	0"	0"
Invert 2	505.24'	180°	24"	18" RCP B WALL	23"	Hole 26	26"	26"	2.04"	0"
Invert 3	506.98'	180°	36"	4" HDPE (perf pipe)	4.8"	Hole 6	6"	6"	25.02"	12"
Invert 4										
Invert 5										
Invert 6										
Invert 7										
Invert 8										

RIGHT-SIDE UP VIEW (int. dimensions)

UPSIDE-DOWN VIEW (int. dimensions)



INSIDE WALL DIMENSIONS



Coating (Int): Coating (Ext):	Seam Up: Flat Seam Dn: n/a	Wall Thickness: 8" Floor Height: 8"	Height (Int): 45" Height (Ext): 53"	Weight (Net): 5648 lb Volume (Net): 1.44cu.yd
----------------------------------	-------------------------------	--	--	--