

Job Name: 25-2601 Spring Creek Parkway Phase 2 (Storm)
 Job Location: Clarksville, TN
 Contractor: Byard Construction, LLC

Plant: Beaver Dam
 3/18/2026 8:50:21 AM

Tech: S. Felletter
 PC: A. Chambers



Structure ID: CB-20

P1 BX36960606VF

BOX BASE 6inW, 6inF, Variable Ht F/n

- P3) 28" x 34" - CASTING HEIGHT - 7"
- P2) 36" x 96" - BX FLAT TOP 6"W - TDOT NO 14 (2-28"x34" HOLES) F/F - 10"
- P1) 36" x 96" - BOX BASE 6inW, 6inF, Variable Ht F/n - 43"
- 1) 36" x 96" - Conseal CS-102 1.00"
- 1) 28" x 34" - Conseal CS-102 1.00"
- 1) Hole - 32
- 1) Hole - 26
- 1) Hole - 6

Structure Notes:
 1. PER TDOT D-CB-14P / ASTM C913 SPEC'S.
 2. CONCRETE = 4,000 PSI AT 28 DAYS.
 3. CASTING BY OTHERS (TDOT TY.14 - JBS 3213 MOD F/G/H).

 REINFORCING PER ASTM A615 (GRADE 60).
 ** PER TDOT STD DRAWING D-CB-14P **
 - TOP SLAB - DBL MAT #5 BARS.
 - WALLS (As .77) #5 BARS AT 5" C.C.E.W.
 - FLOOR (As .47) #5 BARS AT 8" C.C.E.W.

0 lb
 2752 lb
 8159 lb
 0 lb
 0 lb
 0 lb
 0 lb
 0 lb
 0 lb
 Structure Total: 10911 lb

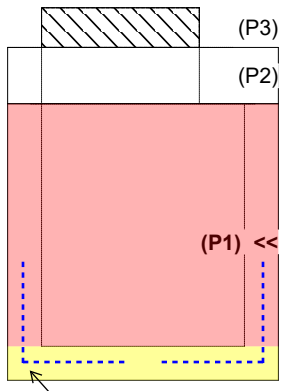
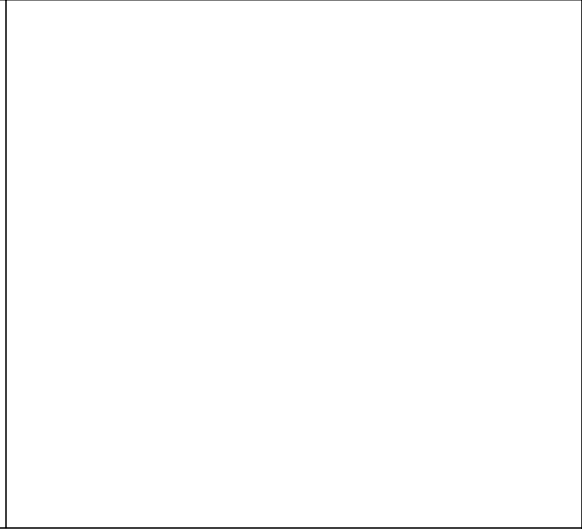
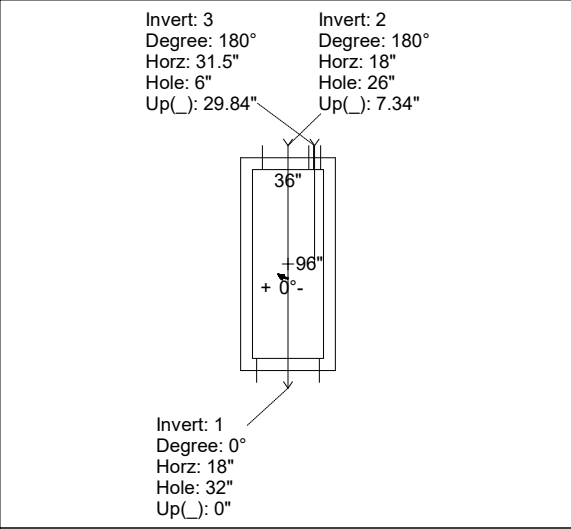
First Pour Drawing
First Pour Weight = 2,700 LBS
Second Pour Weight = 5,459 LBS

Rim: 509.19' Rim to Invert: 4.77' Slack: 0.24" Sump: 3" Step Position:

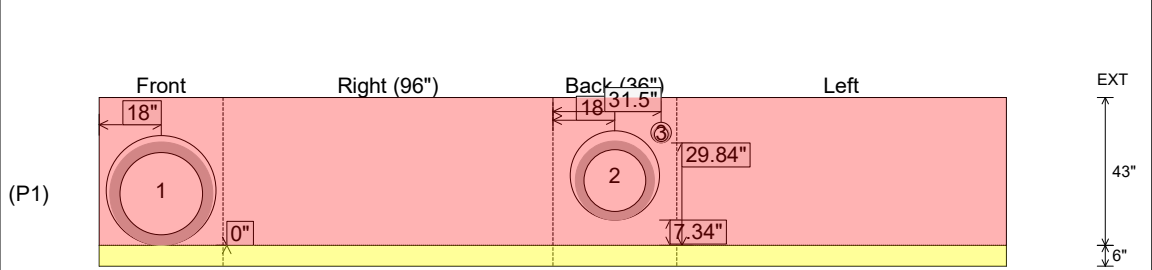
Position	Elev	Angle	Ext. (cw)	Pipe	Pipe OD	Connector	Hole	Horz Size	Up (⌋)	Offset
Invert 1	504.42'	0°	24"	24" RCP B WALL	30"	Hole 32	32"	32"	0"	0"
Invert 2	504.99'	180°	24"	18" RCP B WALL	23"	Hole 26	26"	26"	7.34"	0"
Invert 3	506.69'	180°	37.5"	4" HDPE (perf pipe)	4.8"	Hole 6	6"	6"	29.84"	13.5"
Invert 4										
Invert 5										
Invert 6										
Invert 7										
Invert 8										

RIGHT-SIDE UP VIEW (int. dimensions)

UPSIDE-DOWN VIEW (int. dimensions)



INSIDE WALL DIMENSIONS



Coating (Int): Coating (Ext):	Seam Up: Flat Seam Dn: n/a	Wall Thickness: 6" Floor Height: 6"	Height (Int): 43" Height (Ext): 49"	Weight (Net): 8159 lb Volume (Net): 2.08cu.yd
----------------------------------	-------------------------------	--	--	--

Job Name: 25-2601 Spring Creek Parkway Phase 2 (Storm)
 Job Location: Clarksville, TN
 Contractor: Byard Construction, LLC

Plant: Beaver Dam
 3/18/2026 8:50:21 AM

Tech: S. Felletter
 PC: A. Chambers



Structure ID: CB-20

P1 BX36960606VF

BOX BASE 6inW, 6inF, Variable Ht F/n

- P3) 28" x 34" - CASTING HEIGHT - 7"
- P2) 36" x 96" - BX FLAT TOP 6"W - TDOT NO 14 (2-28"x34" HOLES) F/F - 10"
- P1) 36" x 96" - BOX BASE 6inW, 6inF, Variable Ht F/n - 43"
- 1) 36" x 96" - Conseal CS-102 1.00"
- 1) 28" x 34" - Conseal CS-102 1.00"
- 1) Hole - 32
- 1) Hole - 26
- 1) Hole - 6

Structure Notes:
 1. PER TDOT D-CB-14P / ASTM C913 SPEC'S.
 2. CONCRETE = 4,000 PSI AT 28 DAYS.
 3. CASTING BY OTHERS (TDOT TY.14 - JBS 3213 MOD F/G/H).
 REINFORCING PER ASTM A615 (GRADE 60).
 ** PER TDOT STD DRAWING D-CB-14P **
 - TOP SLAB - DBL MAT #5 BARS.
 - WALLS (As .77) #5 BARS AT 5" C.C.E.W.
 - FLOOR (As .47) #5 BARS AT 8" C.C.E.W.

Structure Total: 10911 lb

Second Pour Drawing

First Pour Weight = 2,700 LBS

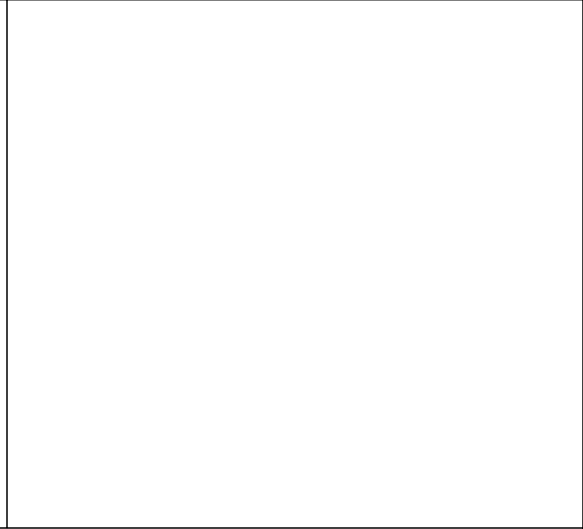
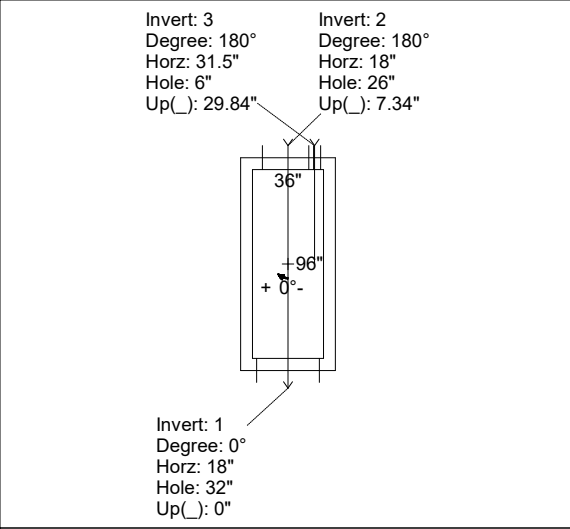
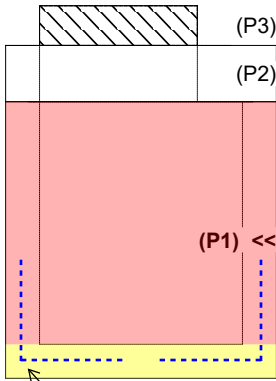
Second Pour Weight = 5,459 LBS

Rim: 509.19' Rim to Invert: 4.77' Slack: 0.24" Sump: 3" Step Position:

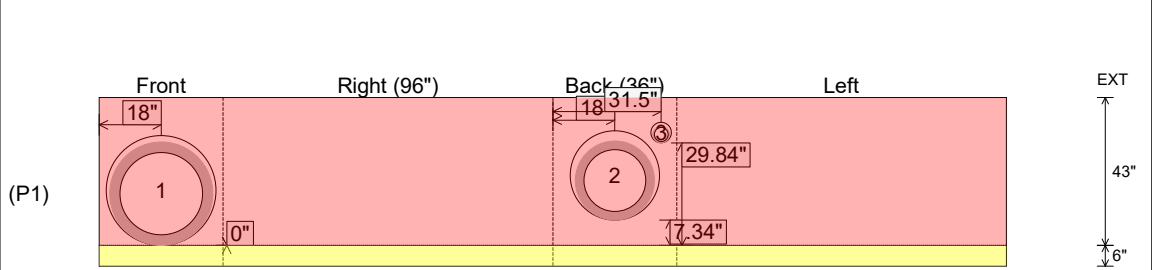
Position	Elev	Angle	Ext. (cw)	Pipe	Pipe OD	Connector	Hole	Horz Size	Up ()	Offset
Invert 1	504.42'	0°	24"	24" RCP B WALL	30"	Hole 32	32"	32"	0"	0"
Invert 2	504.99'	180°	24"	18" RCP B WALL	23"	Hole 26	26"	26"	7.34"	0"
Invert 3	506.69'	180°	37.5"	4" HDPE (perf pipe)	4.8"	Hole 6	6"	6"	29.84"	13.5"
Invert 4										
Invert 5										
Invert 6										
Invert 7										
Invert 8										

RIGHT-SIDE UP VIEW (int. dimensions)

UPSIDE-DOWN VIEW (int. dimensions)



INSIDE WALL DIMENSIONS



Coating (Int): Coating (Ext):	Seam Up: Flat Seam Dn: n/a	Wall Thickness: 6" Floor Height: 6"	Height (Int): 43" Height (Ext): 49"	Weight (Net): 8159 lb Volume (Net): 2.08cu.yd
----------------------------------	-------------------------------	--	--	--