

Job Name: 25-1601 Spring Creek Parkway Phase 2 (Storm)
Job Location: Clarksville, TN
Contractor: Byard Construction, LLC

PC: A. Chambers
 TECH: S. Felletter
 Plant: Beaver Dam



Structure ID: **CB-19C**
 Spec: TDOT
 Type: CB TYPE 12RB
 Size: 60"

Rim: 509.19'
 Invert: 504.46'
 Rim to Invert: 4.73'

Sump: 2.5"
 Floor (Top): 504.252'
 Floor Height: 8"

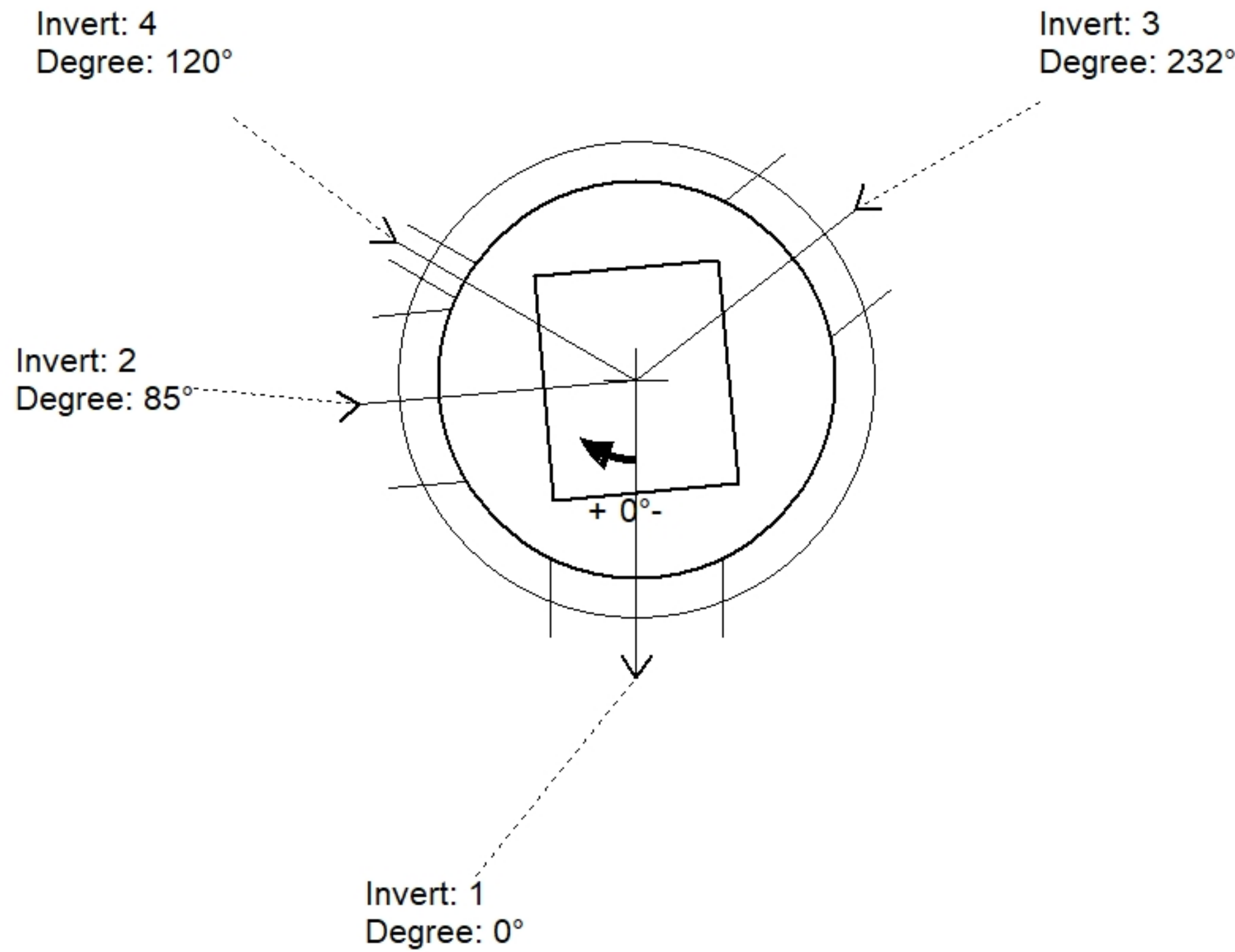
Floor (Bot): 503.585'
 Overall Height: 5.583'
 Slack: 0.26"

Structure Notes:

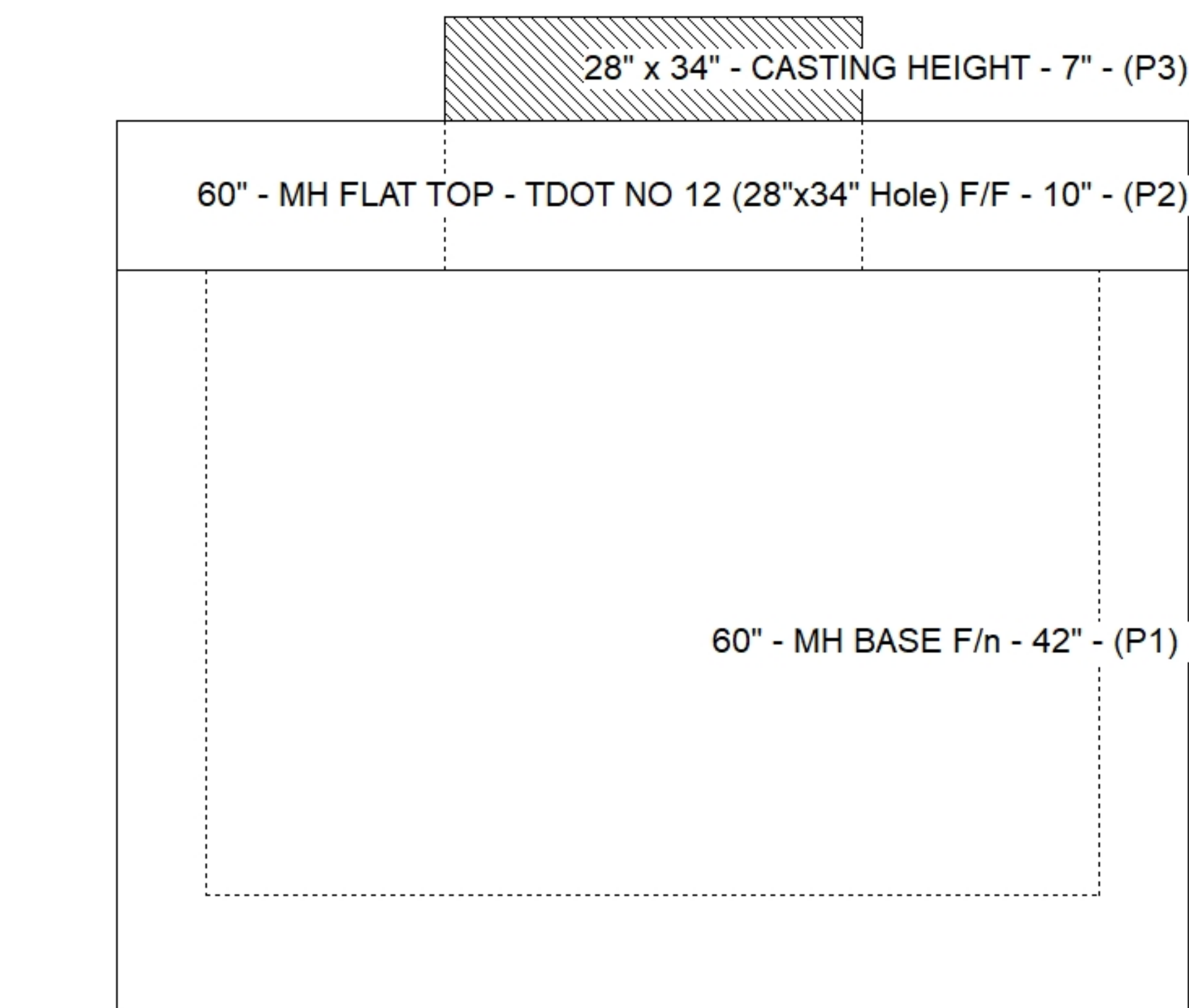
- PER TDOT D-CB-12RB / ASTM C478 SPEC'S.
 - CONCRETE = 4,000 PSI AT 28 DAYS.
 - NO INVERT CHANNEL.
 - CASTING BY OTHERS (TNDOT TY. 12 - JBS 3123 MOD F/G/H).
- REINFORCING PER ASTM A615 (GRADE 60).
 ** PER TDOT STD DRAWING D-CB-12RB **
 - TOP SLAB - DBL MAT #5 BARS.
 - RISER (As .18)
 - FLOOR (As .62) #5 BARS AT 6" C.C.E.W.

STRUCTURE SUMMARY:

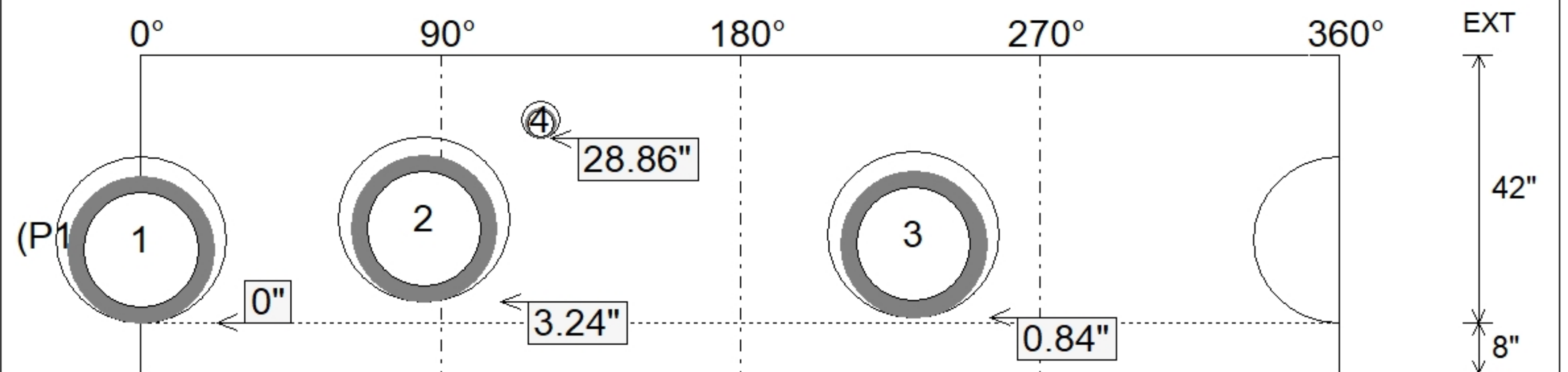
P3) 28" x 34" - CASTING HEIGHT - 7"	0 lb
P2) 60" - MH FLAT TOP - TDOT NO 12 (28"x34" Hole) F/F - 10"	3417 lb
P1) 60" - MH BASE F/n - 42"	6278 lb
1) 60" - Conseal CS-102 1.00"	0 lb
1) 28" x 34" - Conseal CS-102 1.00"	0 lb
3) Hole - 26	0 lb
1) Hole - 6	0 lb
Structure Total:	9695 lb



Position	Elev	Angle	Pipe	Pipe OD	Hole	Connector	Up (")	Ref
Rim	509.19'							
Reducer								
Invert 1	504.46'	0°	18" RCP B WALL	23"	26"	Hole 26	0"	P1
Invert 2	504.73'	85°	18" RCP B WALL	23"	26"	Hole 26	3.24"	P1
Invert 3	504.53'	232°	18" RCP B WALL	23"	26"	Hole 26	0.84"	P1
Invert 4	506.69'	120°	4" HDPE (perf pipe)	4.8"	6"	Hole 6	28.86"	P1
Invert 5								
Invert 6								
Invert 7								
Invert 8								



Default - Interior Dimensions



Submittal Drawing
 3/20/2026 8:46:24 AM

SUBMITTAL
 APPROVED BY: