

Structure ID: CB-19C

P1 MH060BA42

MH BASE F/n

P3) 28" x 34" - CASTING HEIGHT - 7" P2) 60" - MH FLAT TOP - TDOT NO 12 (28"x34" Hole) F/F - 10" P1) 60" - MH BASE F/n - 42" 1) 60" - Conseal CS-102 1.00" 1) 28" x 34" - Conseal CS-102 1.00" 3) Hole - 26 1) Hole - 6	0 lb 3417 lb 6278 lb 0 lb 0 lb 0 lb 0 lb 0 lb ----- Structure Total: 9695 lb
--	---

Structure Notes:

1. PER TDOT D-CB-12RB / ASTM C478 SPEC'S.
2. CONCRETE = 4,000 PSI AT 28 DAYS.
3. NO INVERT CHANNEL.
4. CASTING BY OTHERS (TNDOT TY. 12 - JBS 3123 MOD F/G/H).

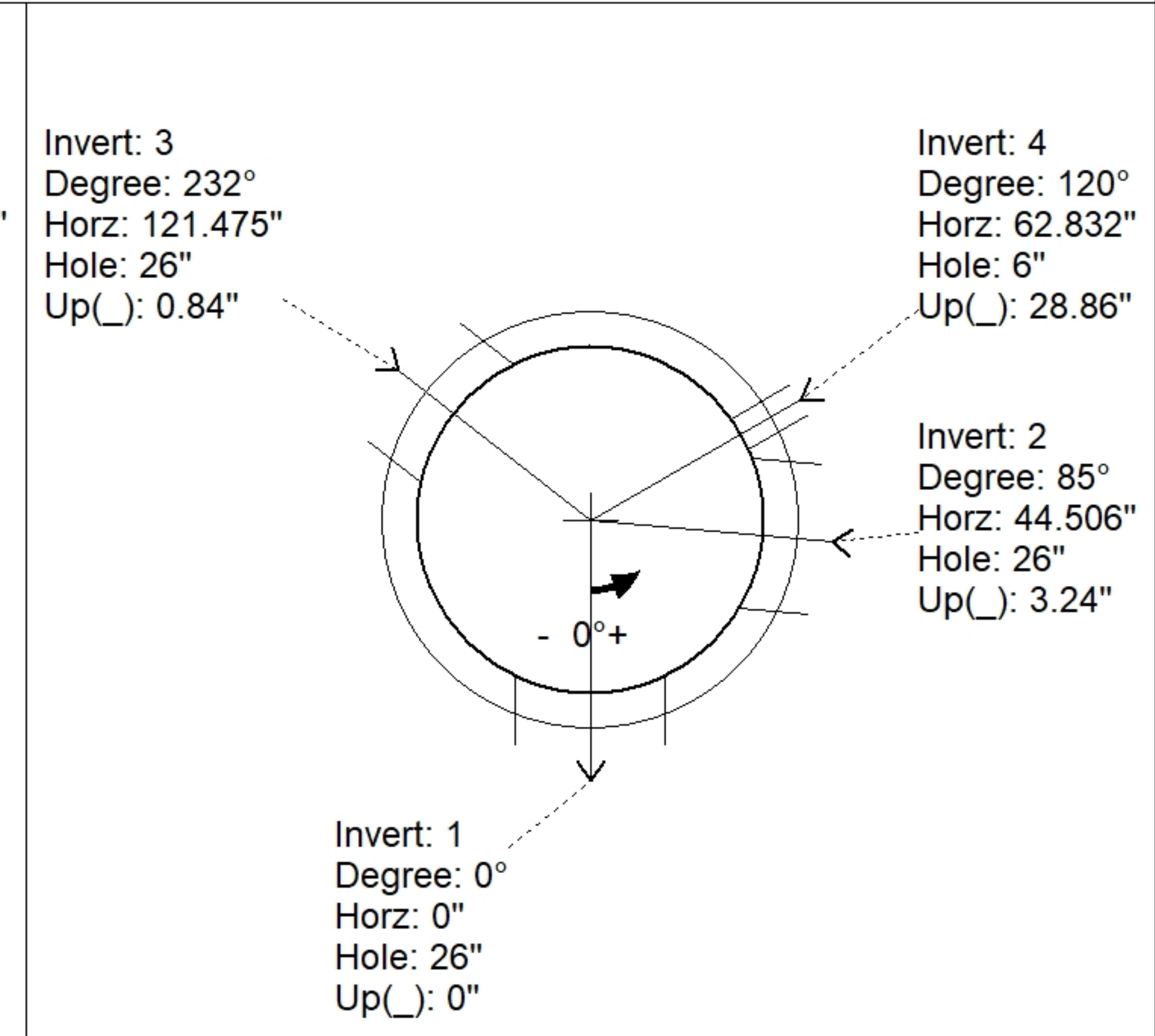
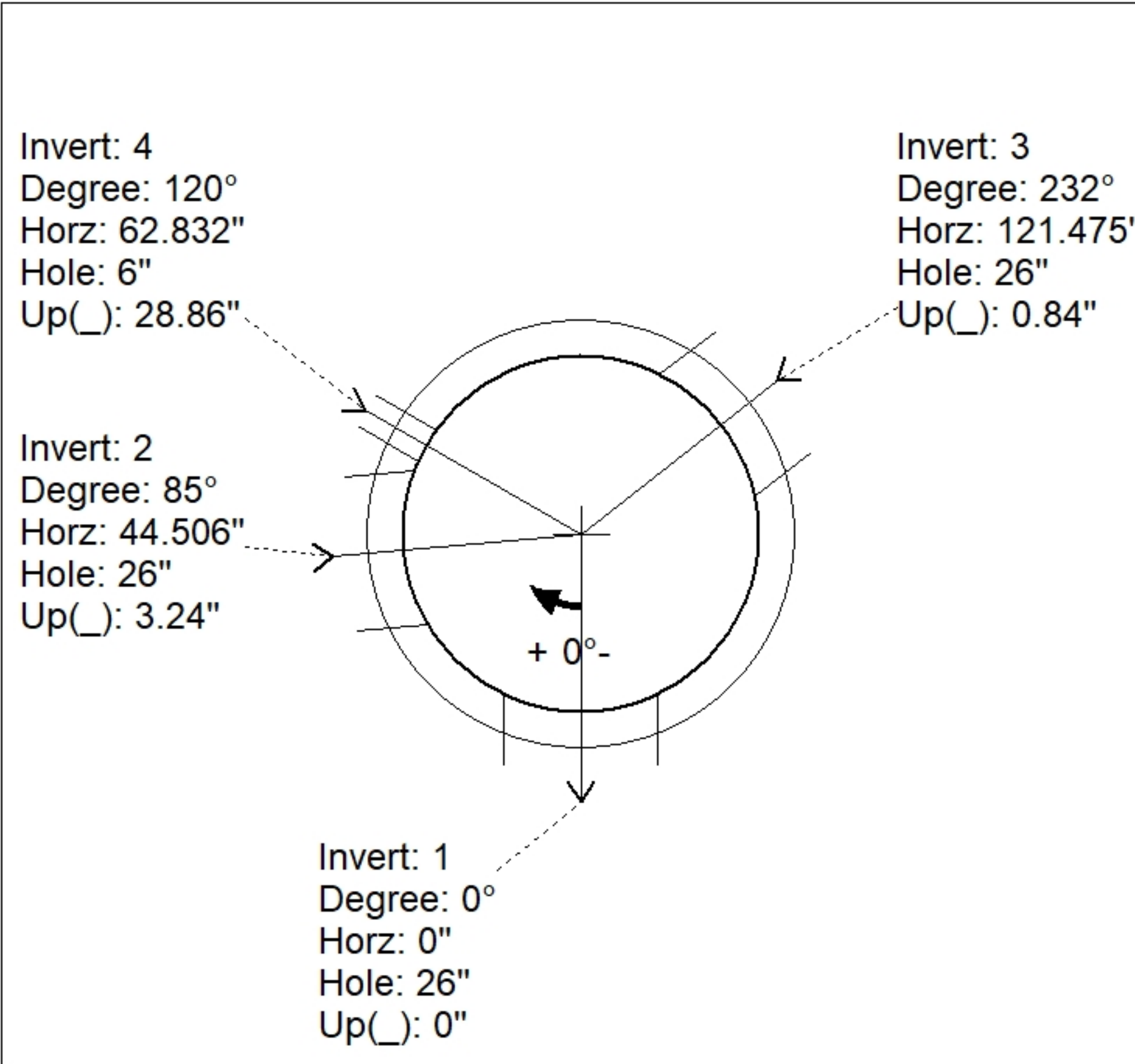
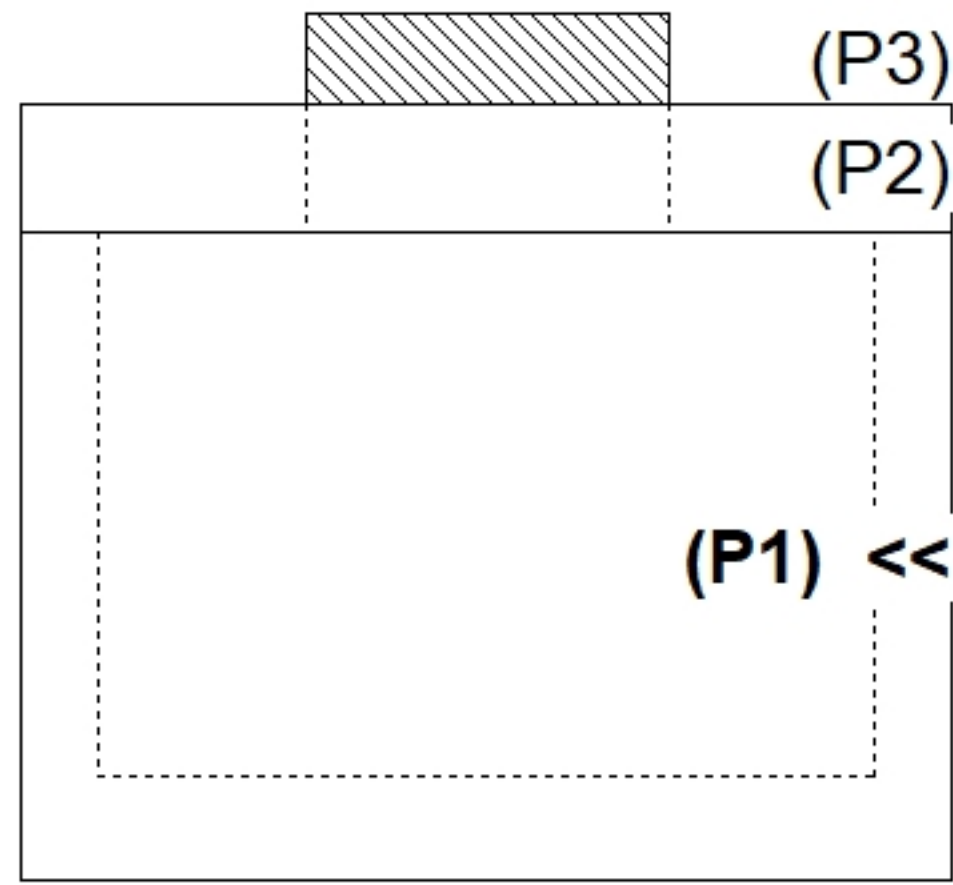
REINFORCING PER ASTM A615 (GRADE 60).
 ** PER TDOT STD DRAWING D-CB-12RB **
 - TOP SLAB - DBL MAT #5 BARS.
 - RISER (As .18)
 - FLOOR (As .62) #5 BARS AT 6" C.C.E.W.

Rim: 509.19' Rim to Invert: 4.73' Slack: 0.26" Sump: 2.5" Step Position:

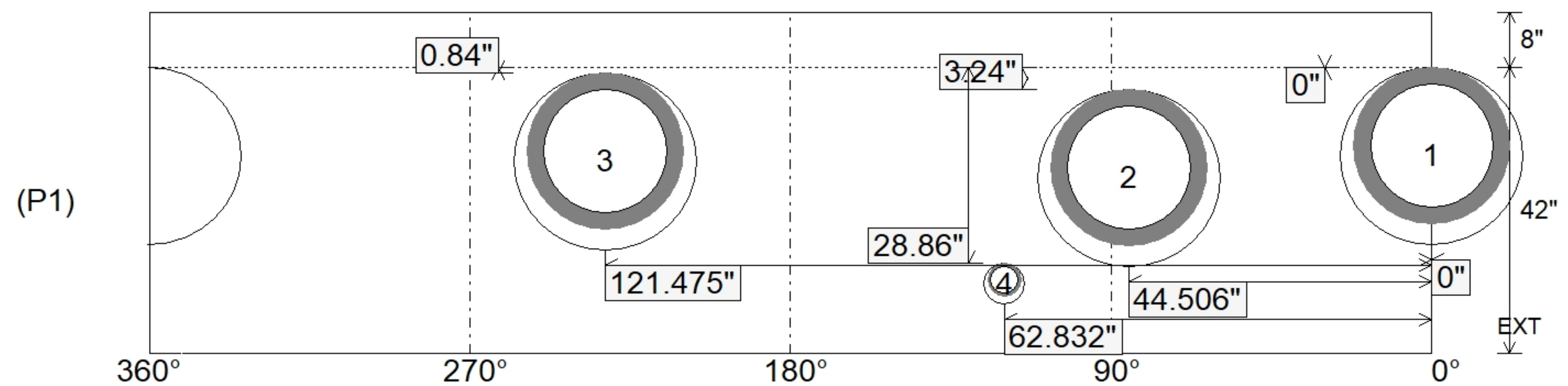
Position	Elev	Angle	Ext. (cw)	Pipe	Pipe OD	Connector	Hole	Horz Size	Up ()	Offset
Invert 1	504.46'	0°	0"	18" RCP B WALL	23"	Hole 26	26"	26.891"	0"	0"
Invert 2	504.73'	85°	53.407"	18" RCP B WALL	23"	Hole 26	26"	26.891"	3.24"	0"
Invert 3	504.53'	232°	145.77"	18" RCP B WALL	23"	Hole 26	26"	26.891"	0.84"	0"
Invert 4	506.69'	120°	75.398"	4" HDPE (perf pipe)	4.8"	Hole 6	6"	6.01"	28.86"	0"
Invert 5										
Invert 6										
Invert 7										
Invert 8										

RIGHT-SIDE UP VIEW (int. dimensions)

UPSIDE-DOWN VIEW (int. dimensions)



INSIDE WALL DIMENSIONS



Coating (Int): Coating (Ext):	Seam Up: Flat Seam Dn: n/a	Wall Thickness: 6" Floor Height: 8"	Height (Int): 42" Height (Ext): 50"	Weight (Net): 6278 lb Volume (Net): 1.6cu.yd
----------------------------------	-------------------------------	--	--	---