

Job Name: 25-1601 Spring Creek Parkway Phase 2 (Storm)
Job Location: Clarksville, TN
Contractor: Byard Construction, LLC

PC: A. Chambers
 TECH: S. Felletter
 Plant: Beaver Dam



Structure ID: **CB-19B**
 Spec: TDOT
 Type: CB TYPE 12LP
 Size: 32" x 32"

Rim: 509.19'
 Invert: 505.14'
 Rim to Invert: 4.05'

Sump: 2.5"
 Floor (Top): 504.932'
 Floor Height: 8"

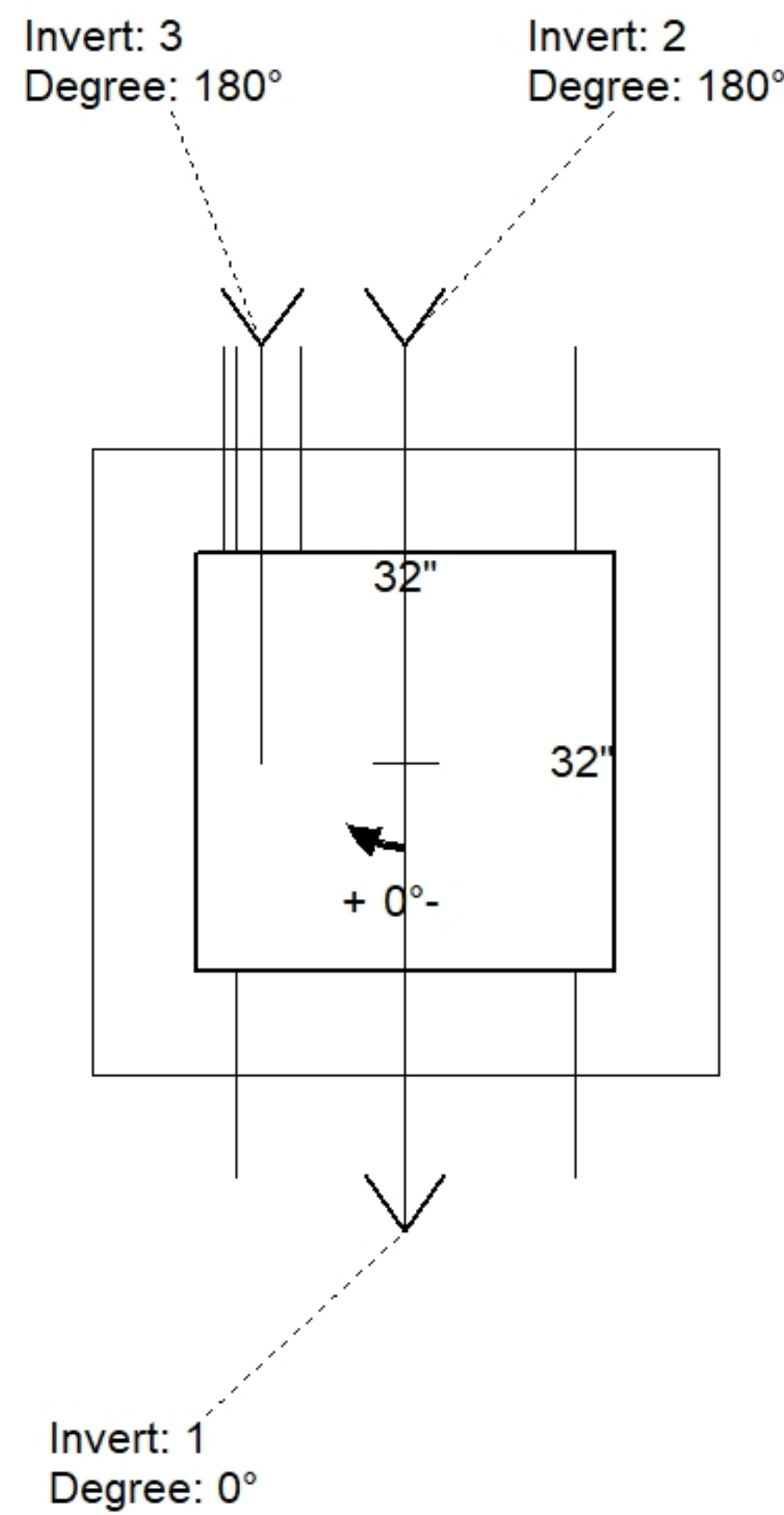
Floor (Bot): 504.265'
 Overall Height: 4.917'
 Slack: 0.1"

Structure Notes:

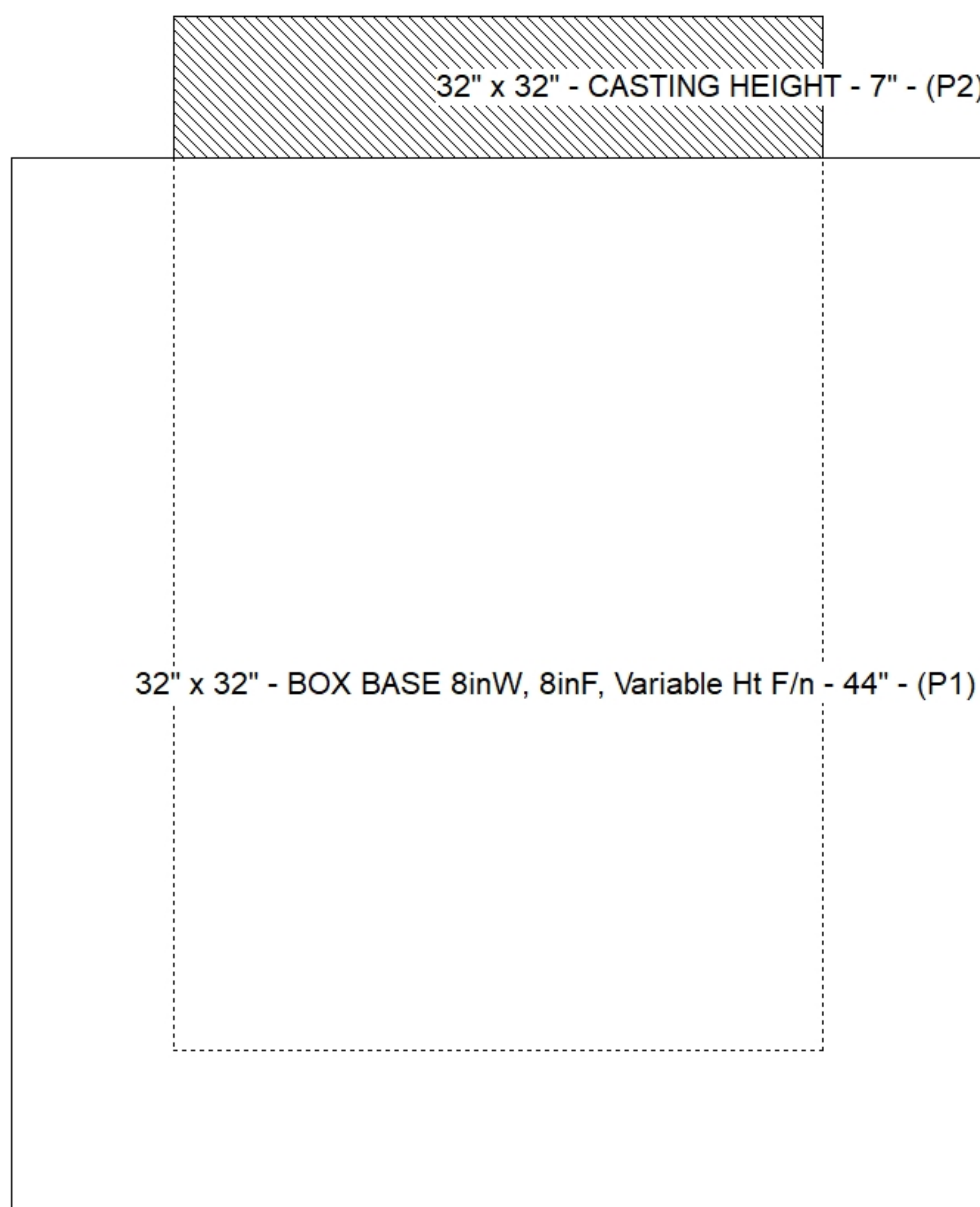
- PER TDOT D-CB-12LP / ASTM C913 SPEC'S.
 - CONCRETE = 4,000 PSI AT 28 DAYS.
 - CASTING BY OTHERS (TNDOT TY.12 - JBS 3123 MOD F/G/H).
- REINFORCING PER ASTM A615 (GRADE 60).
 SEE TDOT STD DRAWINGS D-CB-12LP
 - WALLS (As .62) #5 BARS AT 6" C.C.E.W.
 - FLOOR (As .62) #5 BARS AT 6" C.C.E.W.

STRUCTURE SUMMARY:

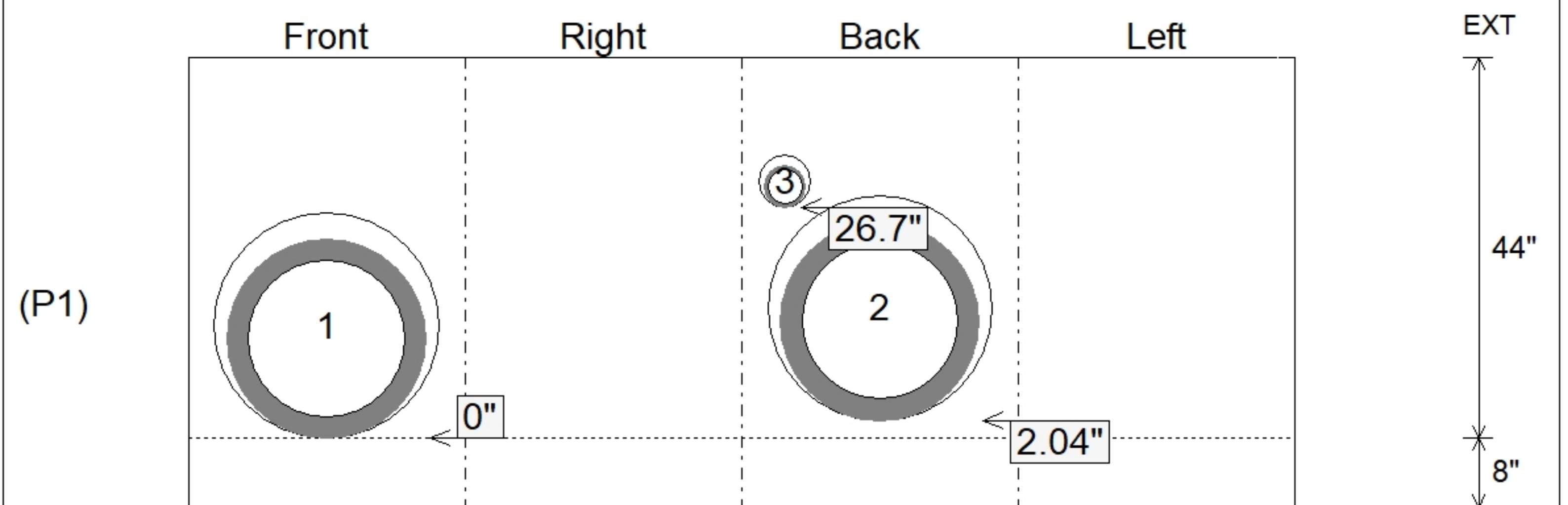
P2) 32" x 32" - CASTING HEIGHT - 7"	0 lb
P1) 32" x 32" - BOX BASE 8inW, 8inF, Variable Ht F/n - 44"	5541 lb
1) 32" x 32" - Conseal CS-102 1.00"	0 lb
2) Hole - 26	0 lb
1) Hole - 6	0 lb
Structure Total:	5541 lb



Position	Elev	Angle	Pipe	Pipe OD	Hole	Connector	Up (")	Ref
Rim	509.19'							
Reducer								
Invert 1	505.14'	0°	18" RCP B WALL	23"	26"	Hole 26	0"	P1
Invert 2	505.31'	180°	18" RCP B WALL	23"	26"	Hole 26	2.04"	P1
Invert 3	507.19'	180°	4" HDPE (perf pipe)	4.8"	6"	Hole 6	26.7"	P1
Invert 4								
Invert 5								
Invert 6								
Invert 7								
Invert 8								



Default - Interior Dimensions



Submittal Drawing
 3/20/2026 8:46:22 AM

SUBMITTAL
 APPROVED BY: