

Job Name: 25-1601 Spring Creek Parkway Phase 2 (Storm)  
 Job Location: Clarksville, TN  
 Contractor: Byard Construction, LLC

Plant: Beaver Dam  
 3/20/2026 8:46:48 AM

Tech: S. Felletter  
 PC: A. Chambers



**Structure ID: CB-19B**

**P1 BX3232-08BAVF**

**BOX BASE 8inW, 8inF, Variable Ht F/n**

- P2) 32" x 32" - CASTING HEIGHT - 7"
- P1) 32" x 32" - BOX BASE 8inW, 8inF, Variable Ht F/n - 44"
- 1) 32" x 32" - Conseal CS-102 1.00"
- 2) Hole - 26
- 1) Hole - 6

0 lb  
 5541 lb  
 0 lb  
 0 lb  
 0 lb  
 -----  
 Structure Total: 5541 lb

**Structure Notes:**  
 1. PER TDOT D-CB-12LP / ASTM C913 SPEC'S.  
 2. CONCRETE = 4,000 PSI AT 28 DAYS.  
 3. CASTING BY OTHERS (TNDOT TY.12 - JBS 3123 MOD F/G/H).

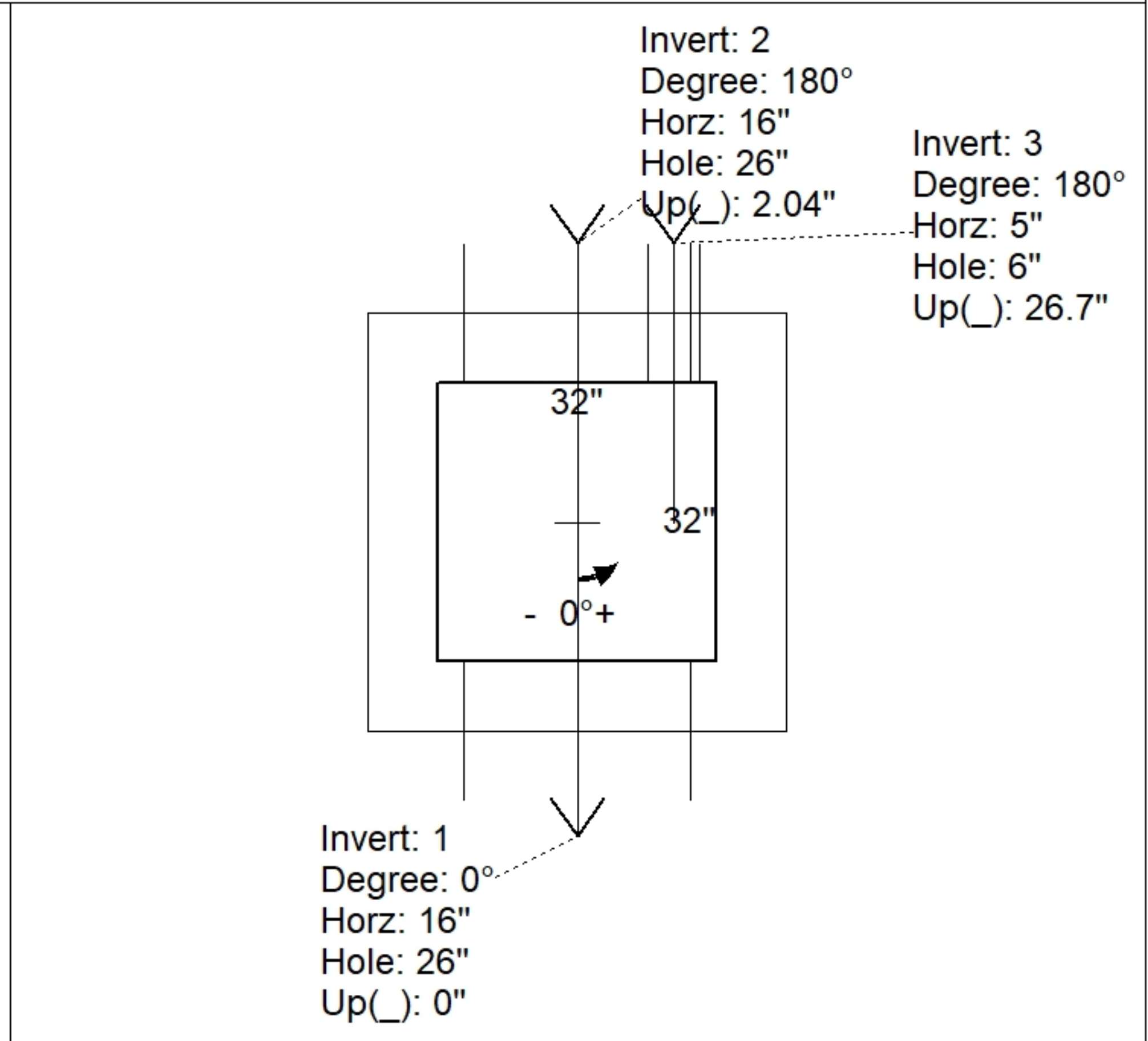
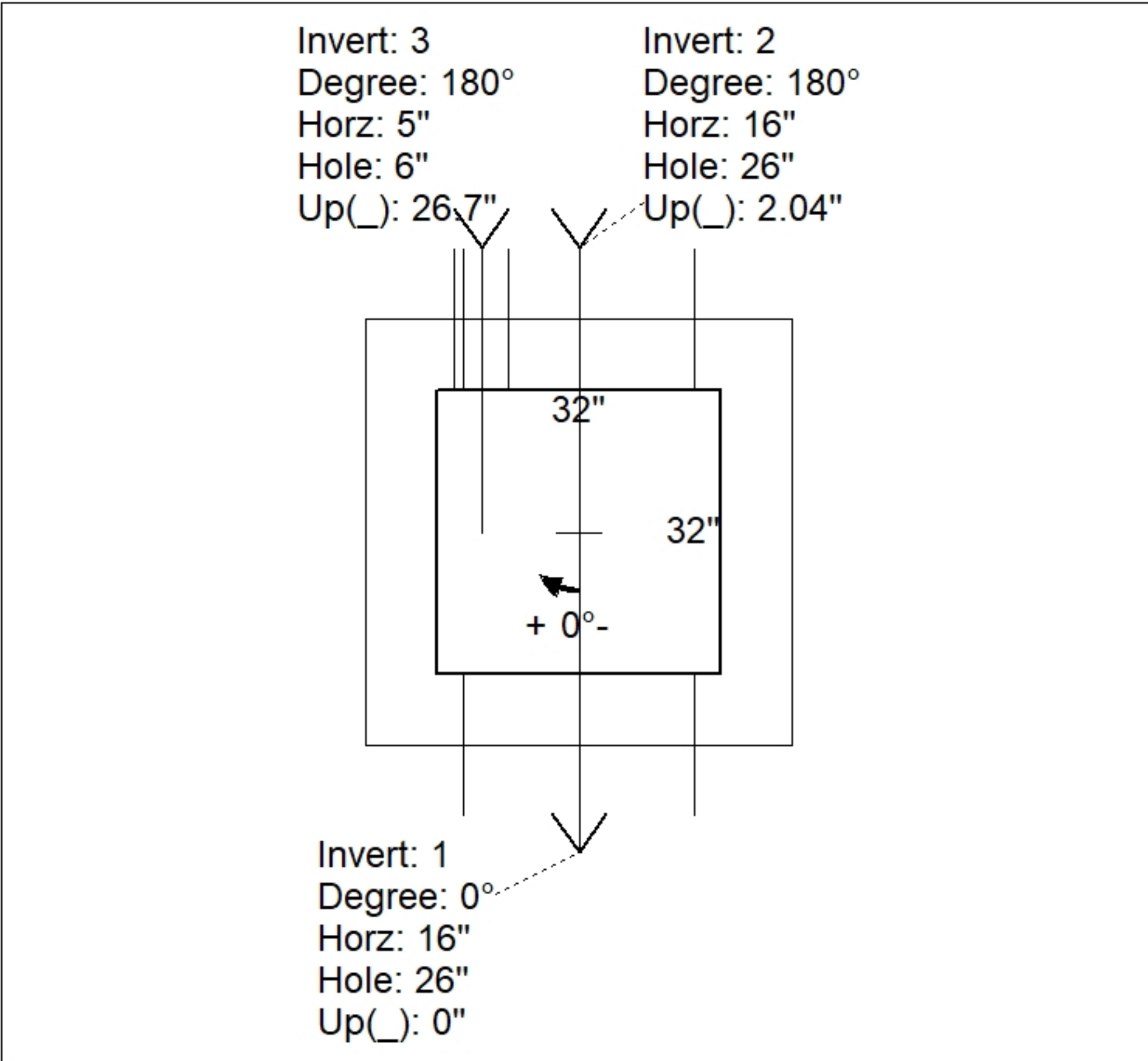
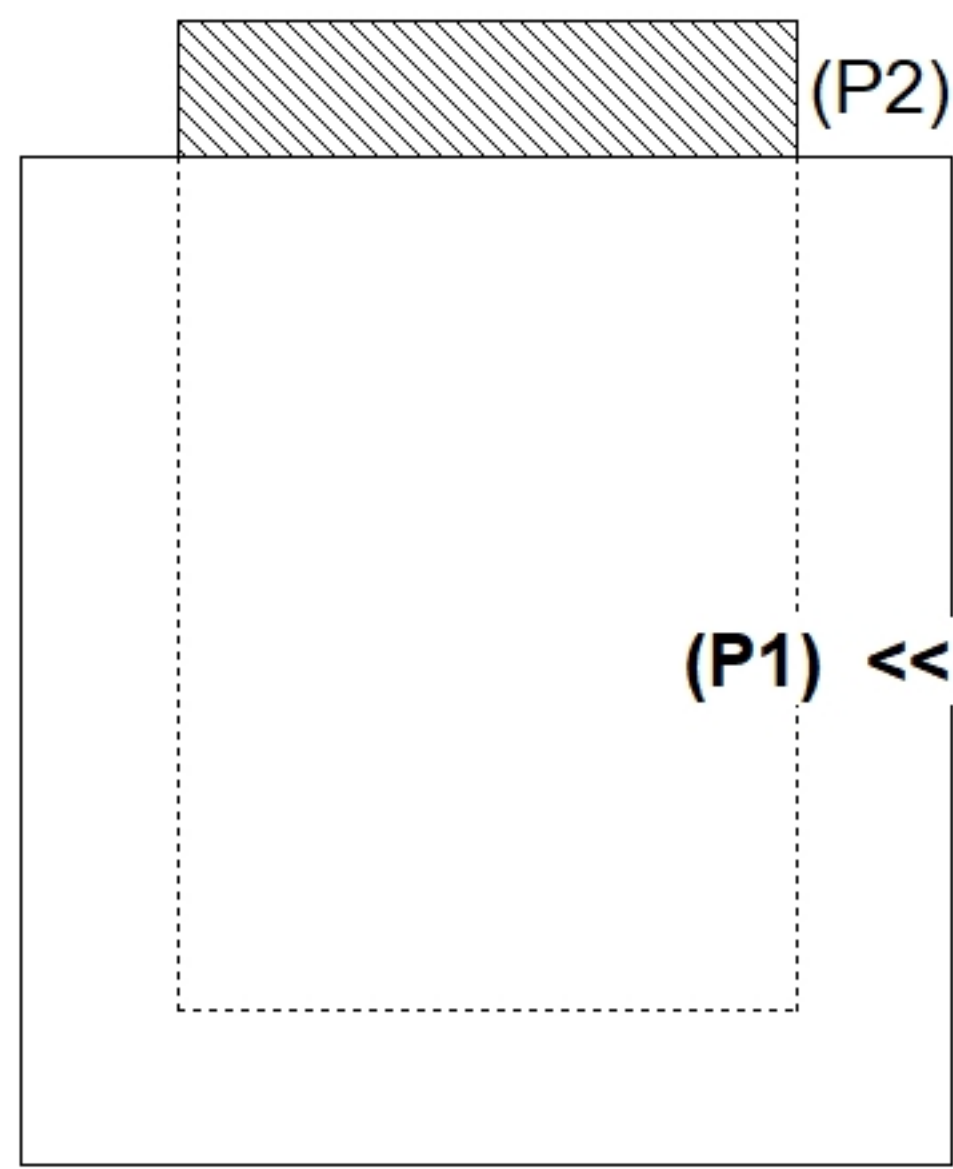
REINFORCING PER ASTM A615 (GRADE 60).  
 \*\*SEE TDOT STD DRAWINGS D-CB-12LP\*\*  
 - WALLS (As .62) #5 BARS AT 6" C.C.E.W.  
 - FLOOR (As .62) #5 BARS AT 6" C.C.E.W.

Rim: 509.19' Rim to Invert: 4.05' Slack: 0.1" Sump: 2.5" Step Position:

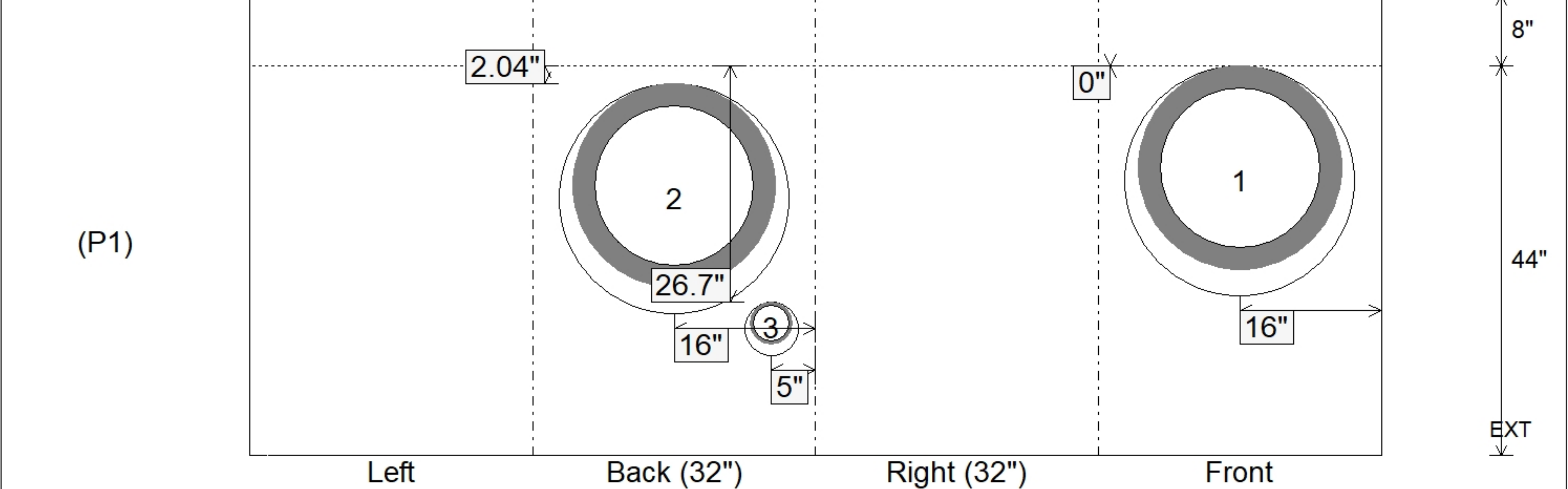
| Position | Elev    | Angle | Ext. (cw) | Pipe                | Pipe OD | Connector | Hole | Horz Size | Up ( ) | Offset |
|----------|---------|-------|-----------|---------------------|---------|-----------|------|-----------|--------|--------|
| Invert 1 | 505.14' | 0°    | 24"       | 18" RCP B WALL      | 23"     | Hole 26   | 26"  | 26"       | 0"     | 0"     |
| Invert 2 | 505.31' | 180°  | 24"       | 18" RCP B WALL      | 23"     | Hole 26   | 26"  | 26"       | 2.04"  | 0"     |
| Invert 3 | 507.19' | 180°  | 13"       | 4" HDPE (perf pipe) | 4.8"    | Hole 6    | 6"   | 6"        | 26.7"  | -11"   |
| Invert 4 |         |       |           |                     |         |           |      |           |        |        |
| Invert 5 |         |       |           |                     |         |           |      |           |        |        |
| Invert 6 |         |       |           |                     |         |           |      |           |        |        |
| Invert 7 |         |       |           |                     |         |           |      |           |        |        |
| Invert 8 |         |       |           |                     |         |           |      |           |        |        |

RIGHT-SIDE UP VIEW (int. dimensions)

UPSIDE-DOWN VIEW (int. dimensions)



INSIDE WALL DIMENSIONS



|                                  |                               |  |  |  |
|----------------------------------|-------------------------------|--|--|--|
| Coating (Int):<br>Coating (Ext): | Seam Up: Flat<br>Seam Dn: n/a | Wall Thickness: 8"<br>Floor Height: 8" | Height (Int): 44"<br>Height (Ext): 52" | Weight (Net): 5541 lb<br>Volume (Net): 1.42cu.yd |
|----------------------------------|-------------------------------|--|--|--|