

Job Name: 25-1601 Spring Creek Parkway Phase 2 (Storm)	Plant: Beaver Dam	Tech: S. Felletter	
Job Location: Clarksville, TN Contractor: Byard Construction, LLC	3/20/2026 8:46:50 AM	PC: A. Chambers	

**Structure ID: CB-19A**

**P1 MH048BAVF**

**MH BASE Custom Ht F/n**

P3) 28" x 34" - CASTING HEIGHT - 7"	0 lb
P2) 48" - MH FLAT TOP - TDOT NO 12 (28"x34" Hole) F/F - 10"	1497 lb
P1) 48" - MH BASE Custom Ht F/n - 45"	4007 lb
1) 48" - Conseal CS-102 1.00"	0 lb
1) 28" x 34" - Conseal CS-102 1.00"	0 lb
2) Hole - 26	0 lb
<b>Structure Total:</b>	<b>5504 lb</b>

**Structure Notes:**

- PER TDOT D-CB-12RA / ASTM C478 SPEC'S.
- CONCRETE = 4,000 PSI AT 28 DAYS.
- NO INVERT CHANNEL.
- CASTING BY OTHERS (TNDOT TY. 12 - JBS 3123 MOD F/G/H).

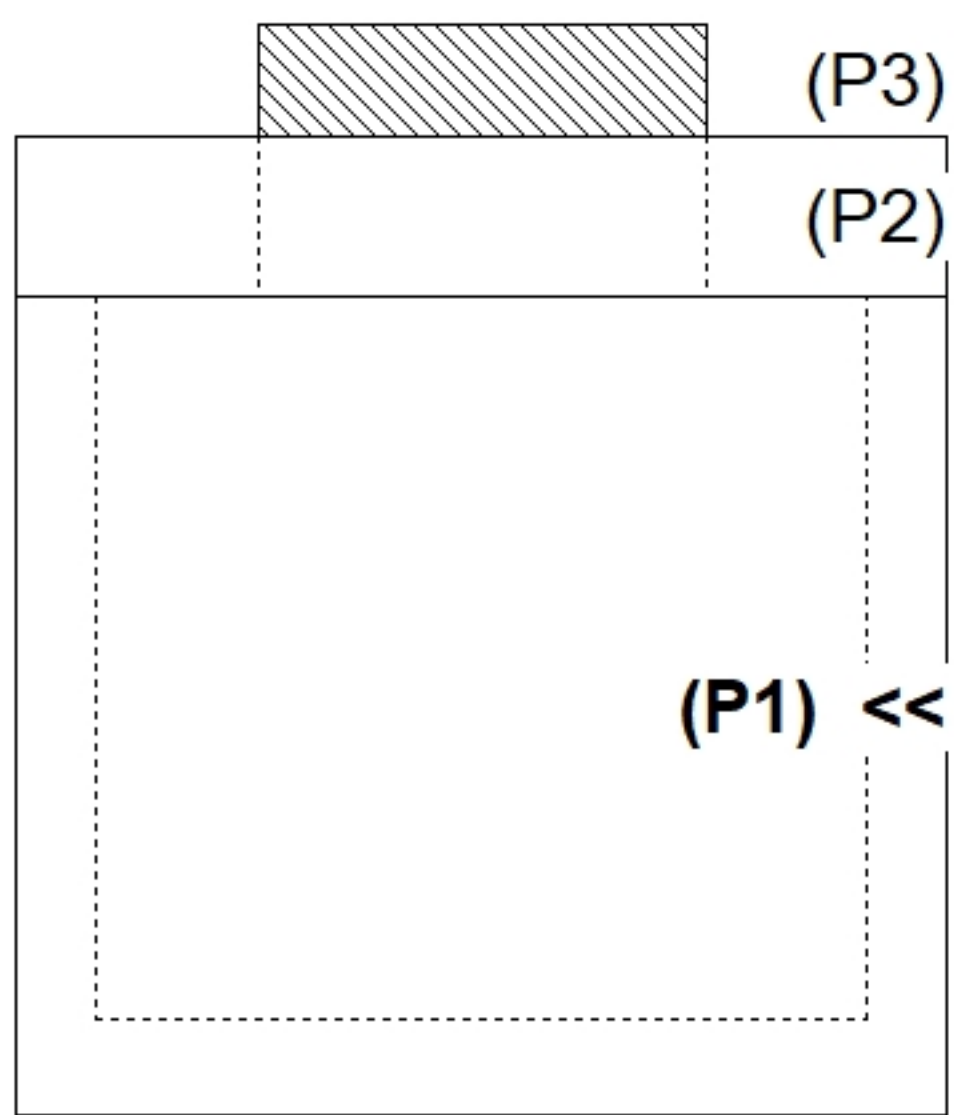
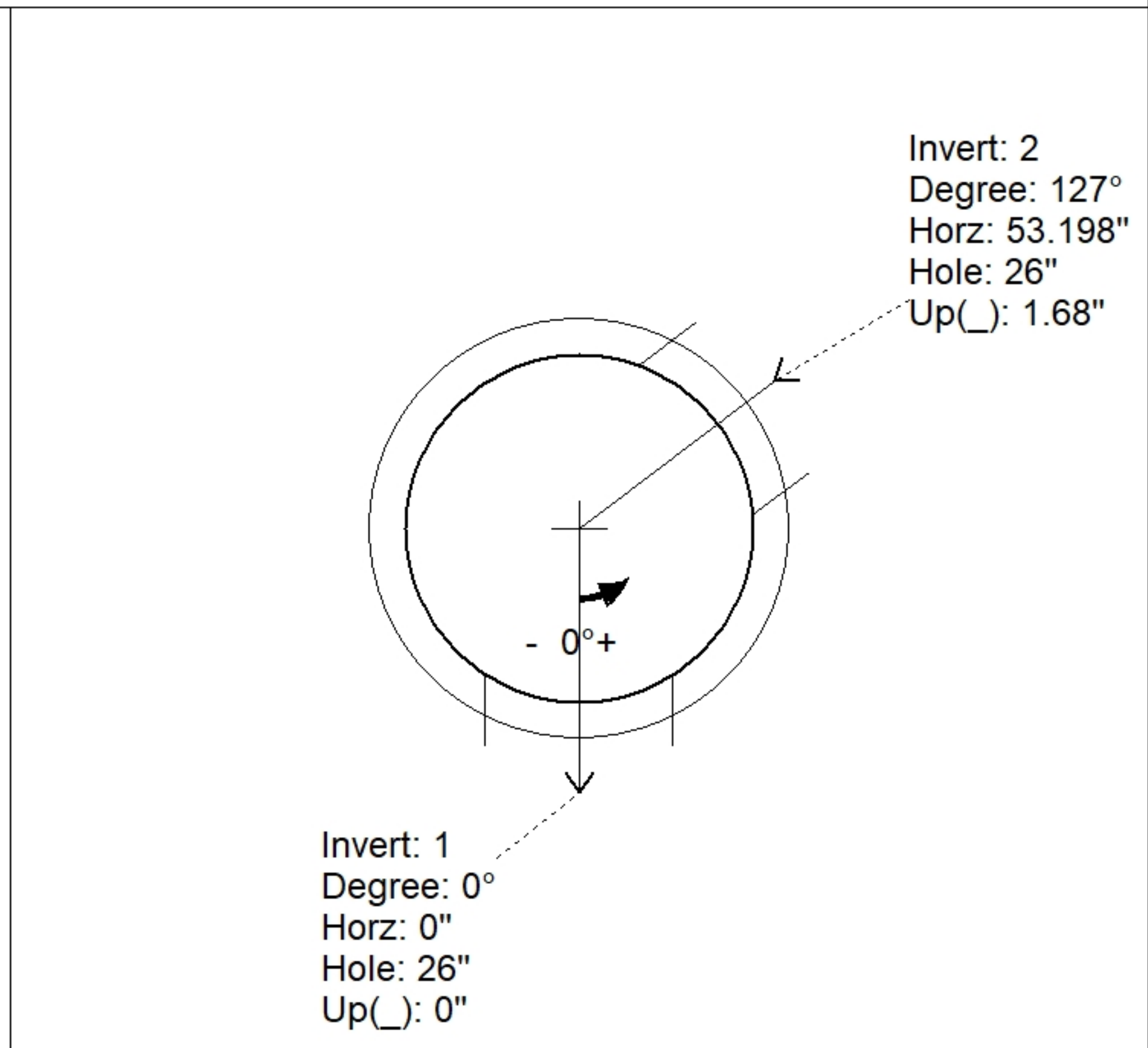
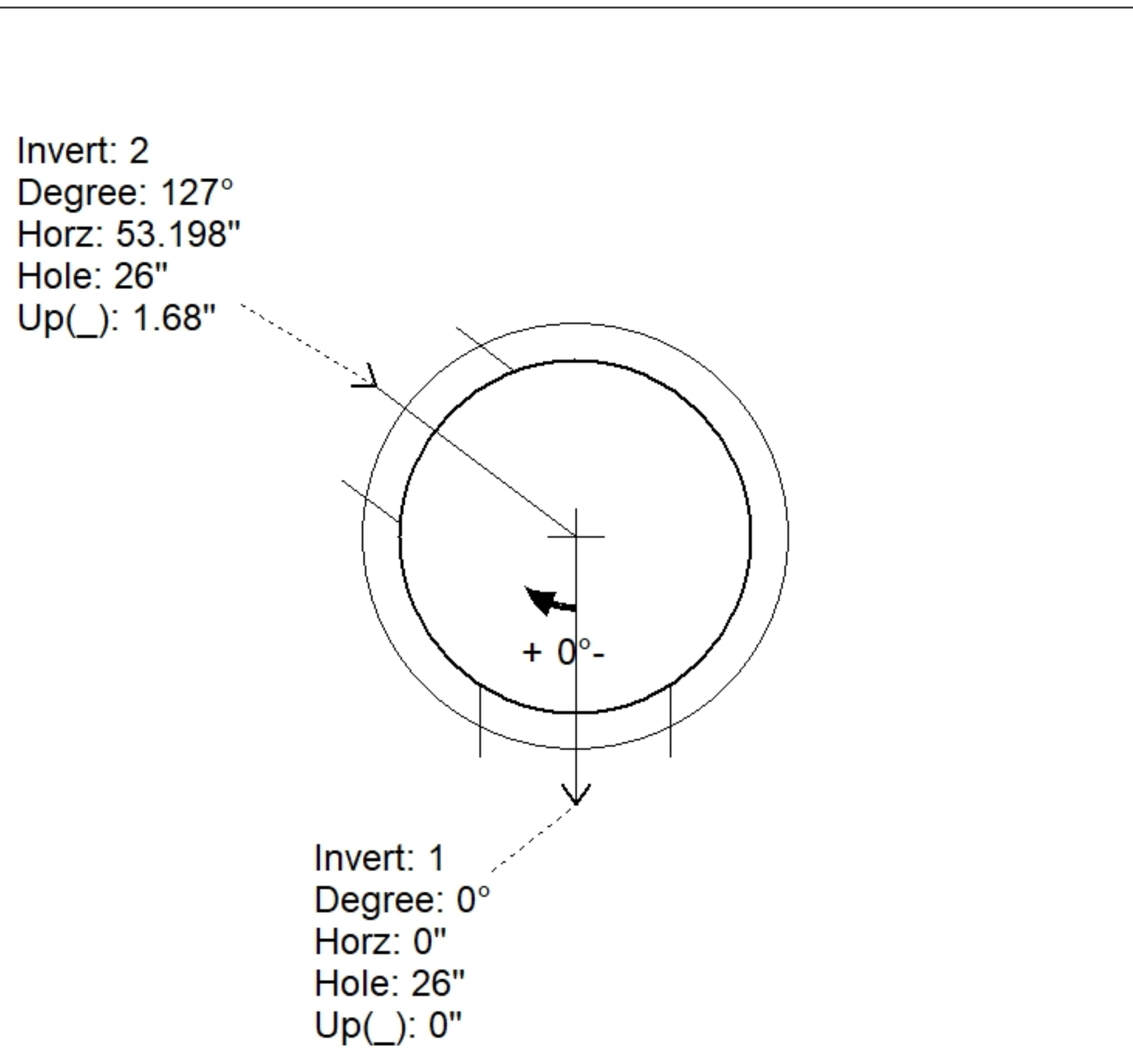
REINFORCING PER ASTM A615 (GRADE 60).  
**\*\* PER TDOT STD DRAWING D-CB-12RA \*\***  
 - TOP SLAB - DBL MAT #5 BARS.  
 - RISER (As .24)  
 - FLOOR (As .62) #5 BARS AT 6" C.C.E.W.

Rim: 509.69'    Rim to Invert: 4.99'    Slack: 0.38"    Sump: 2.5"    Step Position:

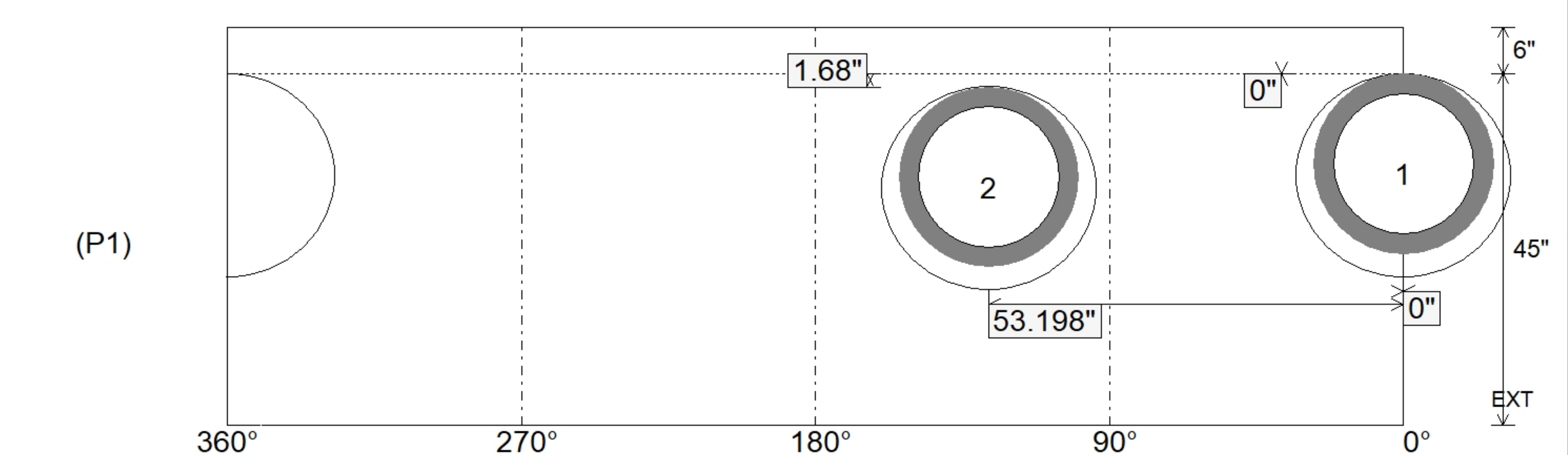
Position	Elev	Angle	Ext. (cw)	Pipe	Pipe OD	Connector	Hole	Horz Size	Up ( )	Offset
Invert 1	504.7'	0°	0"	18" RCP B WALL	23"	Hole 26	26"	27.476"	0"	0"
Invert 2	504.84'	127°	64.28"	18" RCP B WALL	23"	Hole 26	26"	27.476"	1.68"	0"
Invert 3										
Invert 4										
Invert 5										
Invert 6										
Invert 7										
Invert 8										

**RIGHT-SIDE UP VIEW (int. dimensions)**

**UPSIDE-DOWN VIEW (int. dimensions)**



**INSIDE WALL DIMENSIONS**



Coating (Int):	Seam Up: Flat	Wall Thickness: 5"	Height (Int): 45"	Weight (Net): 4007 lb
Coating (Ext):	Seam Dn: n/a	Floor Height: 6"	Height (Ext): 51"	Volume (Net): 1.02cu.yd