

Job Name: 25-1601 Spring Creek Parkway Phase 2 (Storm)
Job Location: Clarksville, TN
Contractor: Byard Construction, LLC

PC: A. Chambers
 TECH: S. Felletter
 Plant: Beaver Dam



Structure ID: **CB-19**
 Spec: TDOT
 Type: CB TYPE 14P
 Size: 36" x 96"

Rim: 509.15'
 Invert: 504.78'
 Rim to Invert: 4.37'

Sump: 2.5"
 Floor (Top): 504.572'
 Floor Height: 6"

Floor (Bot): 504.072'
 Overall Height: 5'
 Slack: 0.94"

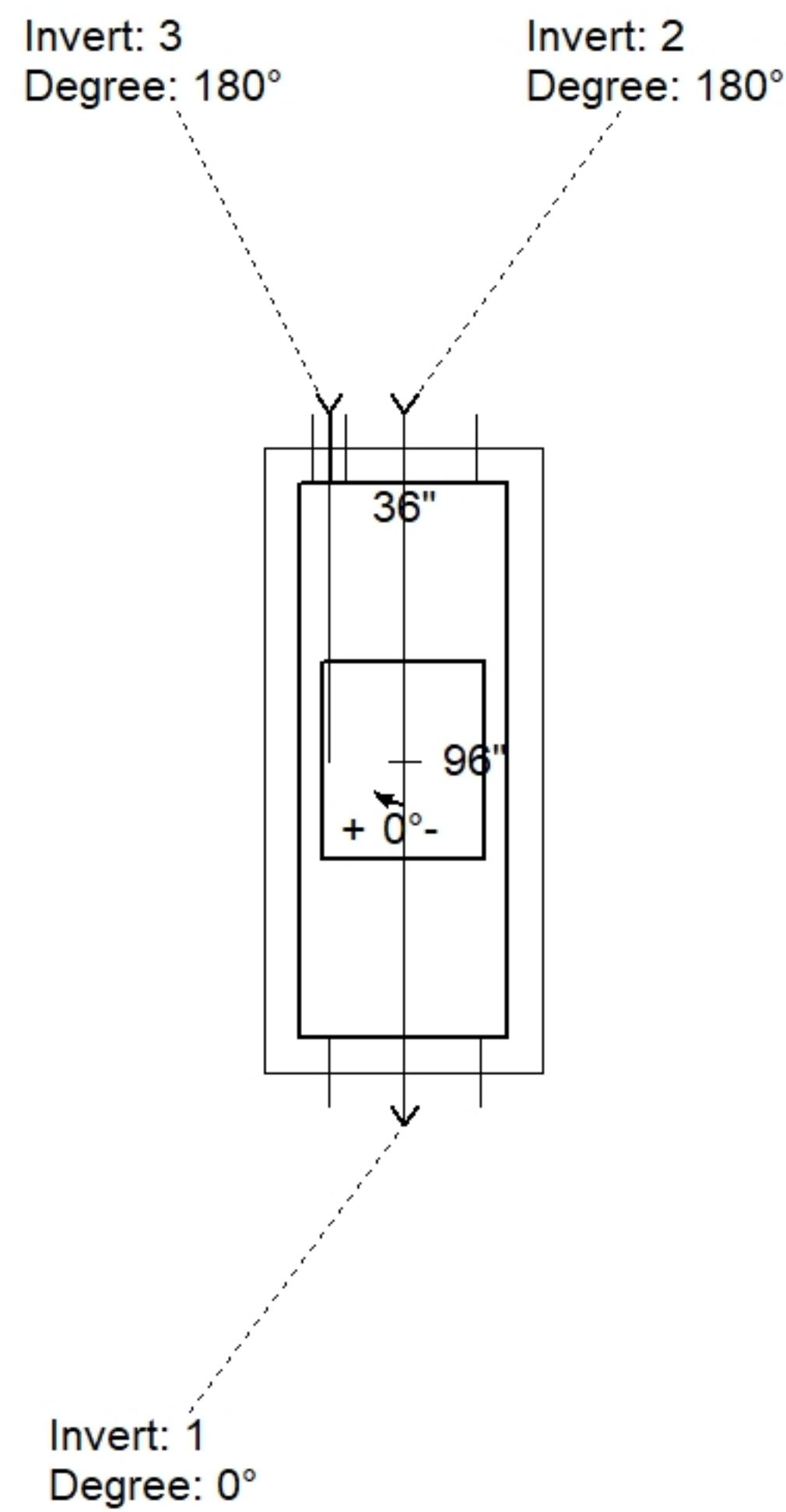
Structure Notes:

- PER TDOT D-CB-14P / ASTM C913 SPEC'S.
- CONCRETE = 4,000 PSI AT 28 DAYS.
- CASTING BY OTHERS (TDOT TY.14 - JBS MOD 3213 F/G/H).

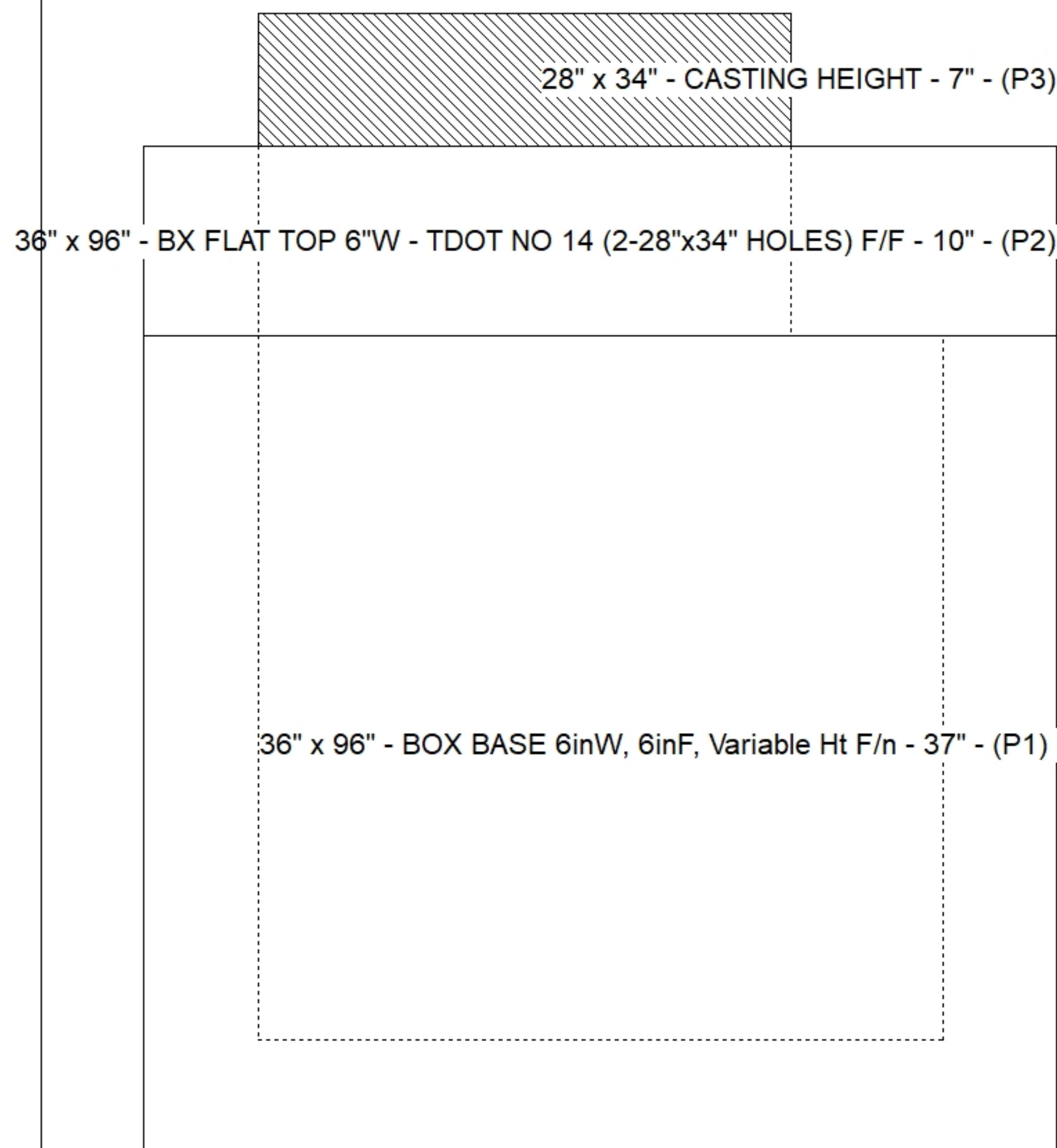
REINFORCING PER ASTM A615 (GRADE 60).
 ** PER TDOT STD DRAWING D-CB-14P **
 - TOP SLAB - DBL MAT #5 BARS.
 - WALLS (As .77) #5 BARS AT 5" C.C.E.W.
 - FLOOR (As .47) #5 BARS AT 8" C.C.E.W.

STRUCTURE SUMMARY:

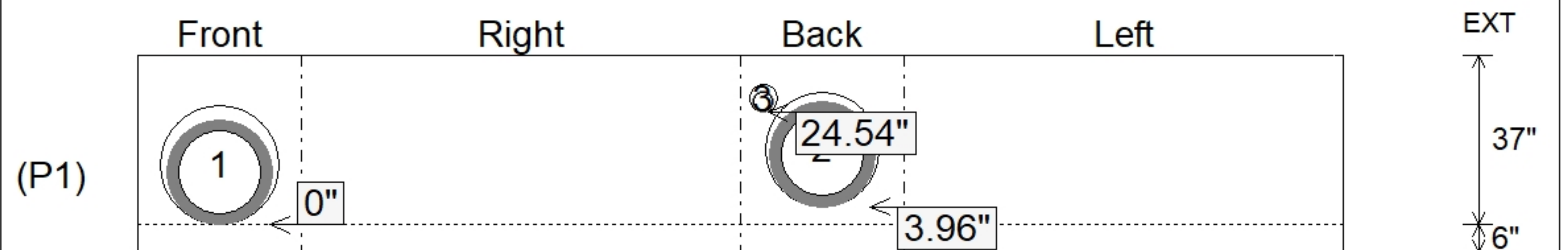
P3) 28" x 34" - CASTING HEIGHT - 7"	0 lb
P2) 36" x 96" - BX FLAT TOP 6"W - TDOT NO 14 (2-28"x34" HOLES) F/F - 10"	2752 lb
P1) 36" x 96" - BOX BASE 6inW, 6inF, Variable Ht F/n - 37"	7446 lb
1) 36" x 96" - Conseal CS-102 1.00"	0 lb
1) 28" x 34" - Conseal CS-102 1.00"	0 lb
1) Hole - 26	0 lb
1) Hole - 25	0 lb
1) Hole - 6	0 lb
Structure Total:	10199 lb



Position	Elev	Angle	Pipe	Pipe OD	Hole	Connector	Up (")	Ref
Rim	509.15'							
Reducer								
Invert 1	504.78'	0°	18" RCP B WALL	23"	26"	Hole 26	0"	P1
Invert 2	505.11'	180°	18" RCP B WALL	23"	25"	Hole 25	3.96"	P1
Invert 3	506.65'	180°	4" HDPE (perf pipe)	4.8"	6"	Hole 6	24.54"	P1
Invert 4								
Invert 5								
Invert 6								
Invert 7								
Invert 8								



Default - Interior Dimensions



Submittal Drawing
 3/20/2026 8:46:23 AM

SUBMITTAL
 APPROVED BY: