

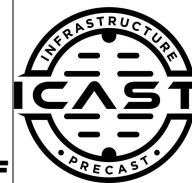
Job Name: 25-1601 Spring Creek Parkway Phase 2 (Storm)
 Job Location: Clarksville, TN
 Contractor: Byard Construction, LLC

Plant: Beaver Dam

Tech: S. Felletter

3/18/2026 8:50:50 AM

PC: A. Chambers



Structure ID: CB-16

P2 BX036048-10LD08W-SP

BX FLAT LID 8"W - TDOT 12P (28"x34" Hole) F/F

- P3) 28" x 34" - CASTING HEIGHT - 7"
- P2) 36" x 48" - BX FLAT LID 8"W - TDOT 12P (28"x34" Hole) F/F - 10"
- P1) 36" x 48" - BOX BASE 8inW, 8inF, Variable Ht F/n - 39"
- 1) 36" x 48" - Conseal CS-102 1.00"
- 1) 28" x 34" - Conseal CS-102 1.00"
- 2) Hole - 26
- 1) Hole - 6

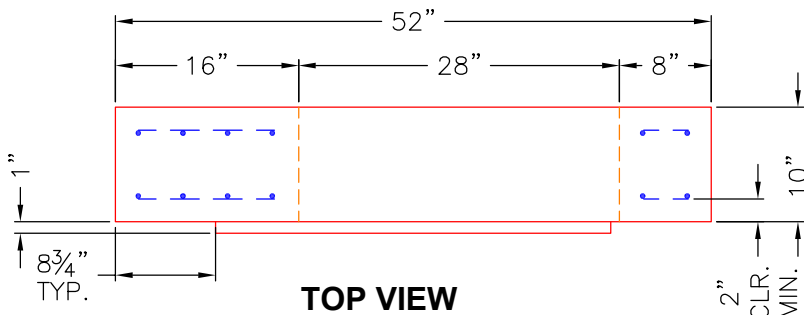
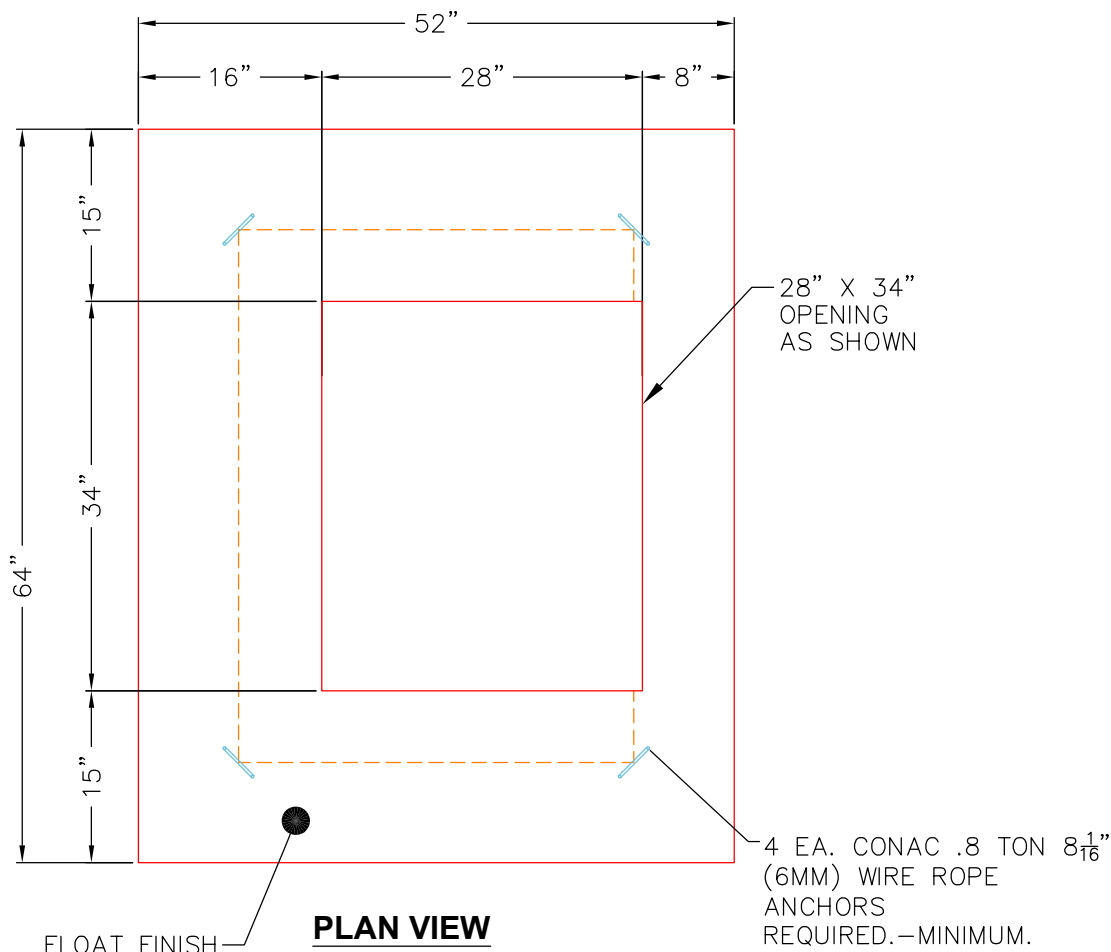
0 lb
 2044 lb
 6738 lb
 0 lb
 0 lb
 0 lb
 0 lb

 Structure Total: 8782 lb

Structure Notes:

1. PER TDOT D-CB-12S / ASTM C913 SPEC'S.
2. CONCRETE = 4,000 PSI AT 28 DAYS.
3. NO INVERT CHANNEL.
4. CASTING BY OTHERS (TDOT TY.12 - JBS-3123 MOD F/G/H).

REINFORCING PER ASTM A615 (GRADE 60).
 ** SEE TDOT STD DRAWING D-CB-12S **
 - TOP SLAB - DBL MAT #5 BARS.
 - WALLS (As .47) #5 BARS AT 8" C.C.E.W.
 - FLOOR (As .47) #5 BARS AT 8" C.C.E.W.



Coating (Int):
 Coating (Ext):

Seam Up: Flat
 Seam Dn: Flat

Wall Thickness: 8"

Height (Ext): 10"

Weight (Net): 2044 lb
 Volume (Net): 0.52cu.yd