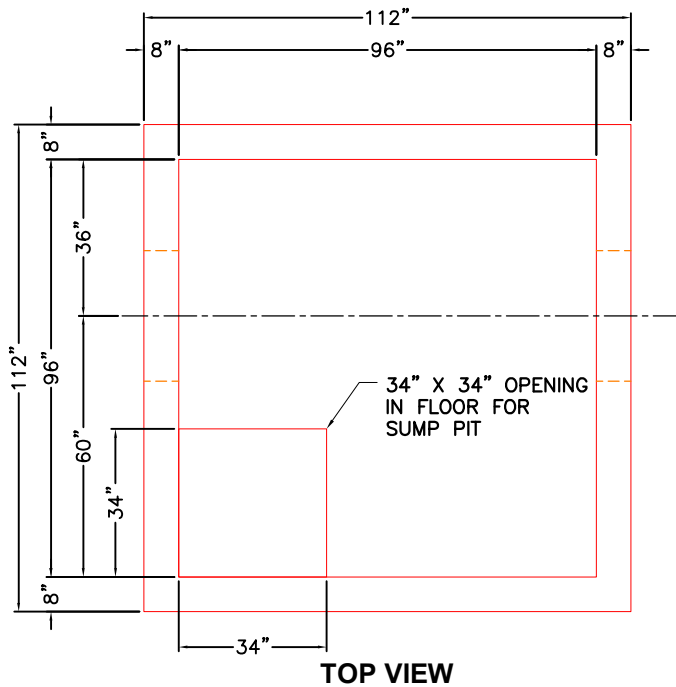
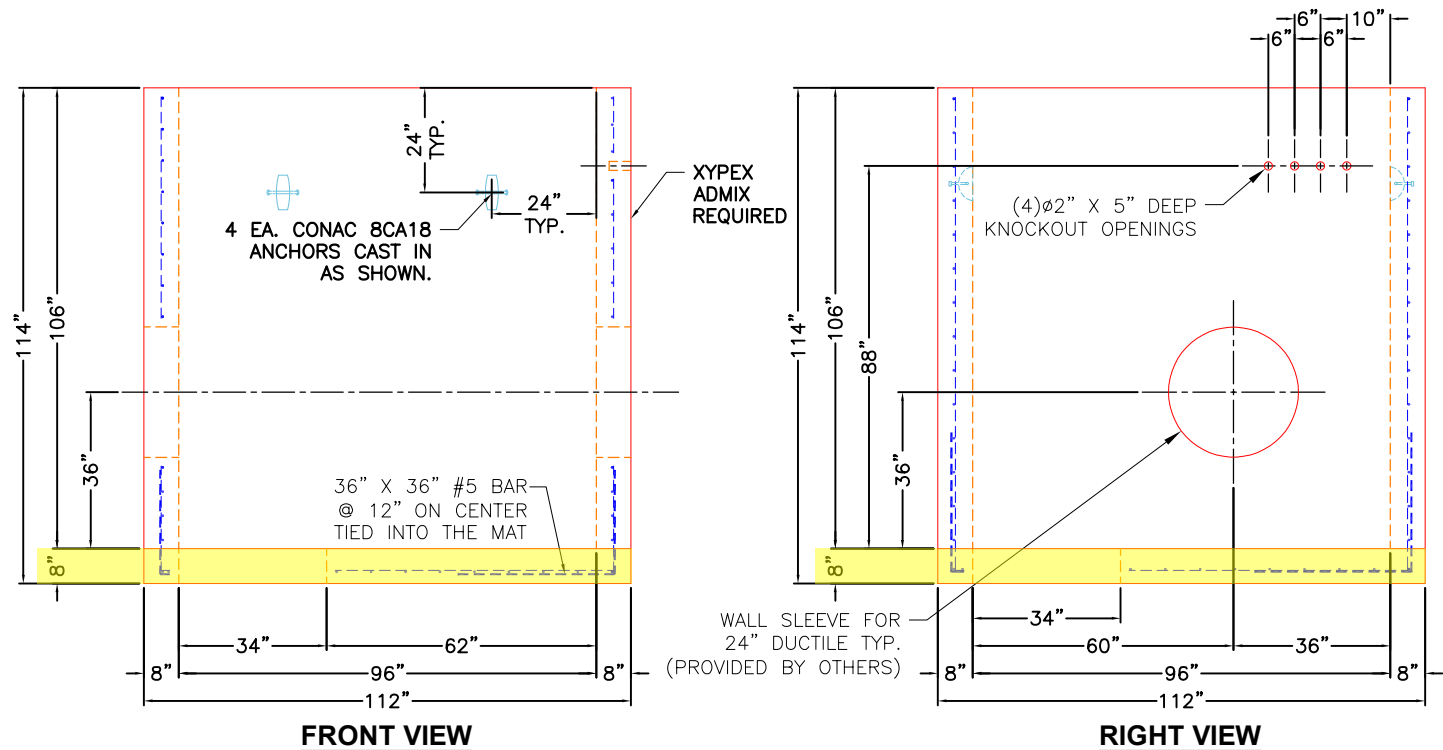


GENERAL NOTES:

1. MANUFACTURED TO ASTM C-913 (LATEST REVISION).
2. CONCRETE: 5,000 PSI AT 28 DAYS.
3. XYPEX ADMIXTURE REQUIRED.
4. REINFORCING: PER REINFORCEMENT DESIGN PROVIDED BY MATT CHILDS ENGINEERING PER ASTM A615 (GRADE 60).
5. WEIGHTS:
FIRST POUR - 7,645 LBS
 SECOND POUR - 28,653 LBS
 TOTAL - 36,298 LBS
6. PIPE WALL SLEEVES PROVIDED BY OTHERS.
7. FLOOR SLOPE PROVIDED BY OTHERS.



FIRST POUR DRAWING



<p>PRODUCTION WORK ORDER</p>		<p>PRODUCT I.D.: CVBVF-X</p>	<p>DESCRIPTION: 8' X 8' X 9'-8" VAULT BASE</p>	
	<p>QUALITY CONTROL CHECKLIST</p> <ul style="list-style-type: none"> <input type="checkbox"/> ALL DIMENSIONS CORRECT. <input type="checkbox"/> LIFTERS INSTALLED. <input type="checkbox"/> HOLE LOCATION(S) CORRECT. <input type="checkbox"/> REINFORCING CORRECT. <input type="checkbox"/> SURFACE QUALITY ACCEPTABLE. <input type="checkbox"/> EDGES CHAMFERED. <input type="checkbox"/> JOINT INSTALLED(IF NECESSARY). 	<p>PRODUCT VIEW: RIGHT SIDE UP</p>	<p>CUSTOMER: CUMBERLAND VALLEY CONSTRUCTORS, INC.</p>	
		<p>PLANT: BEAVER DAM, KY.</p>	<p>PROJECT: STONES RIVER ISOLATION VALVE REPLACEMENT</p>	
		<p>WEIGHT: 36,298 LBS.</p>	<p>STRUCTURE: 96IN X 96IN VAULT</p>	
		<p>TOP SECTION JOINT: FLAT</p>	<p>ORDER NO: 25-1549</p>	
		<p>BASE SECTION JOINT: N/A</p>	<p>PC: J. JARVIS</p>	<p>DRAWING: J. COPPAGE</p>
		<p>QC CHECK INITIALS:</p>	<p>DATE: 9/8/25</p>	<p>SCALE: NTS</p>
			<p>PG. 1 of 1</p>	

DESIGN NOTE:

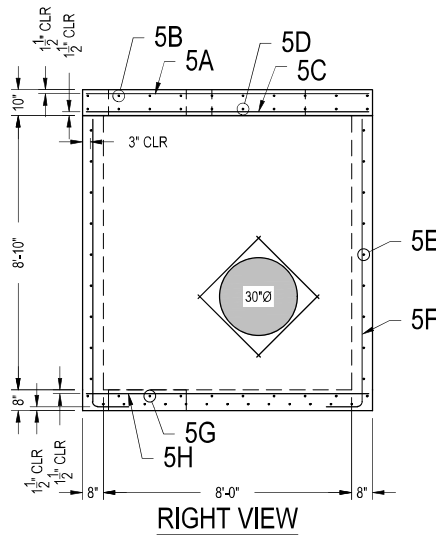
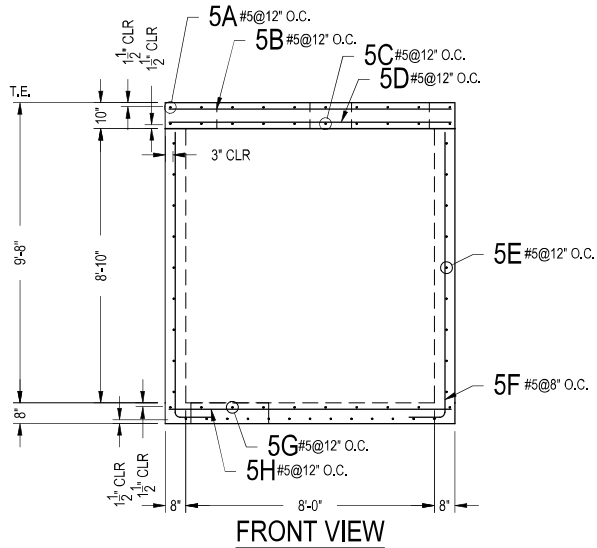
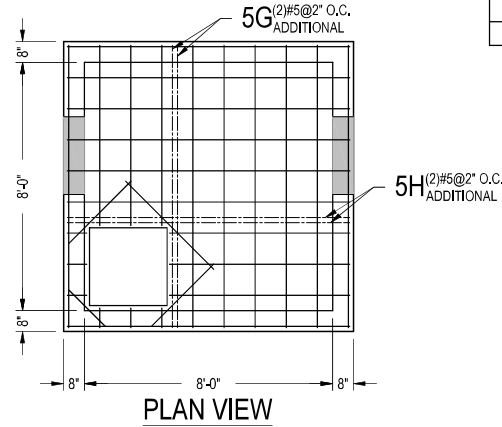
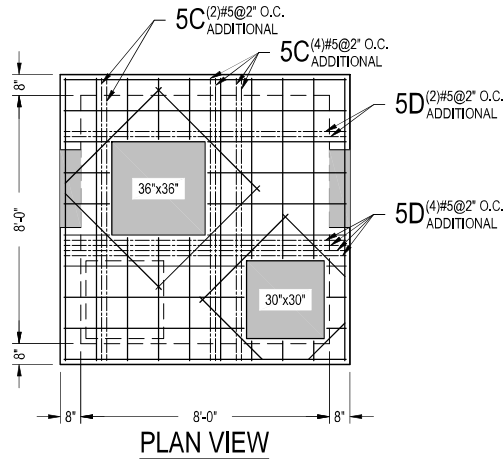
HS20 LOADING - ASTM C890
 CONCRETE 28 DAY COMPRESSIVE STRENGTH - 5000 PSI
 REINFORCEMENT STEEL - 60,000 PSI
 REBAR MIN SPLICE LENGTHS: #4-22" #5-28" #6-33"
 PLACE 4-#4 BAR DIAGONAL AROUND OPENING(S)

STEEL REINFORCEMENT SHOWN BELOW SHALL BE CUT AS REQUIRED FOR WALL PENETRATIONS AND PRECAST JOINT LOCATIONS.
 PLEASE NOTE: DUE TO PRECAST PRODUCTION CONSTRAINTS, NO REINFORCING WILL BE CONTINUOUS ACROSS PRECAST JOINTS.

**25-1549
 STONES RIVER WTP ISOLATION VALVE REPLACEMENT
 96IN X 96IN VAULT**

REINFORCING STEEL SCHEDULE

MARK	NO.	LENGTH	TYPE	lb/EA	TOTAL LB	BENDING DIAGRAM
5A	10	9'-1"	STR.	9.4739	94.7392	
5B	10	9'-1"	STR.	9.4739	94.7392	
5C	16	9'-1"	STR.	9.4739	151.5824	
5D	16	9'-1"	STR.	9.4739	151.5824	
5E	9	20'-0" (2)	BENT	20.86	375.48	
5F	52	10'-3"	BENT	10.6908	555.919	
5G	12	9'-2"	STR.	9.5608	114.7296	
5H	12	9'-2"	STR.	9.5608	114.7296	



VAULT
 8'-0" x 8'-0"
 INFRASTRUCTURE PRECAST
 STONES RIVER ISOLATION
 DATE: 9/12/25
 PAGE: 1 OF 1

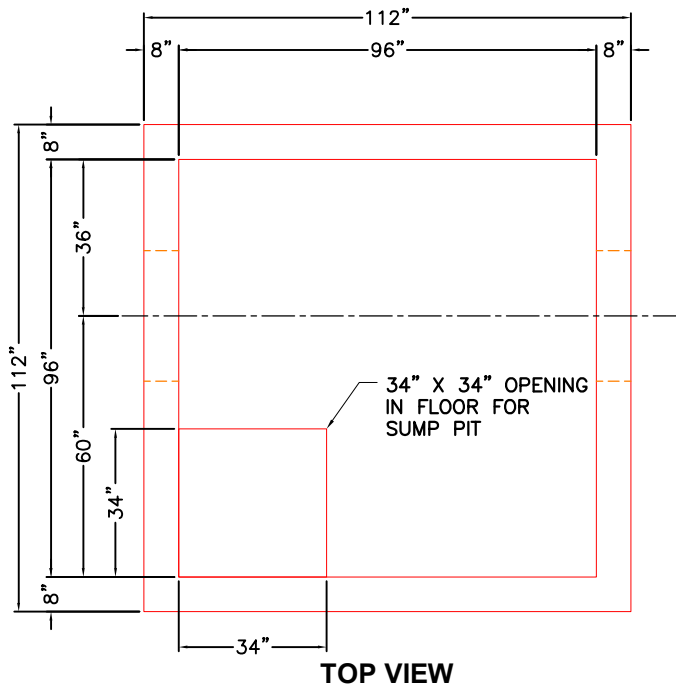
REVISIONS
 DRAWN BY: MBJ
 SCALE: 1/4" = 1'
 A
 B
 C
 D

V-02

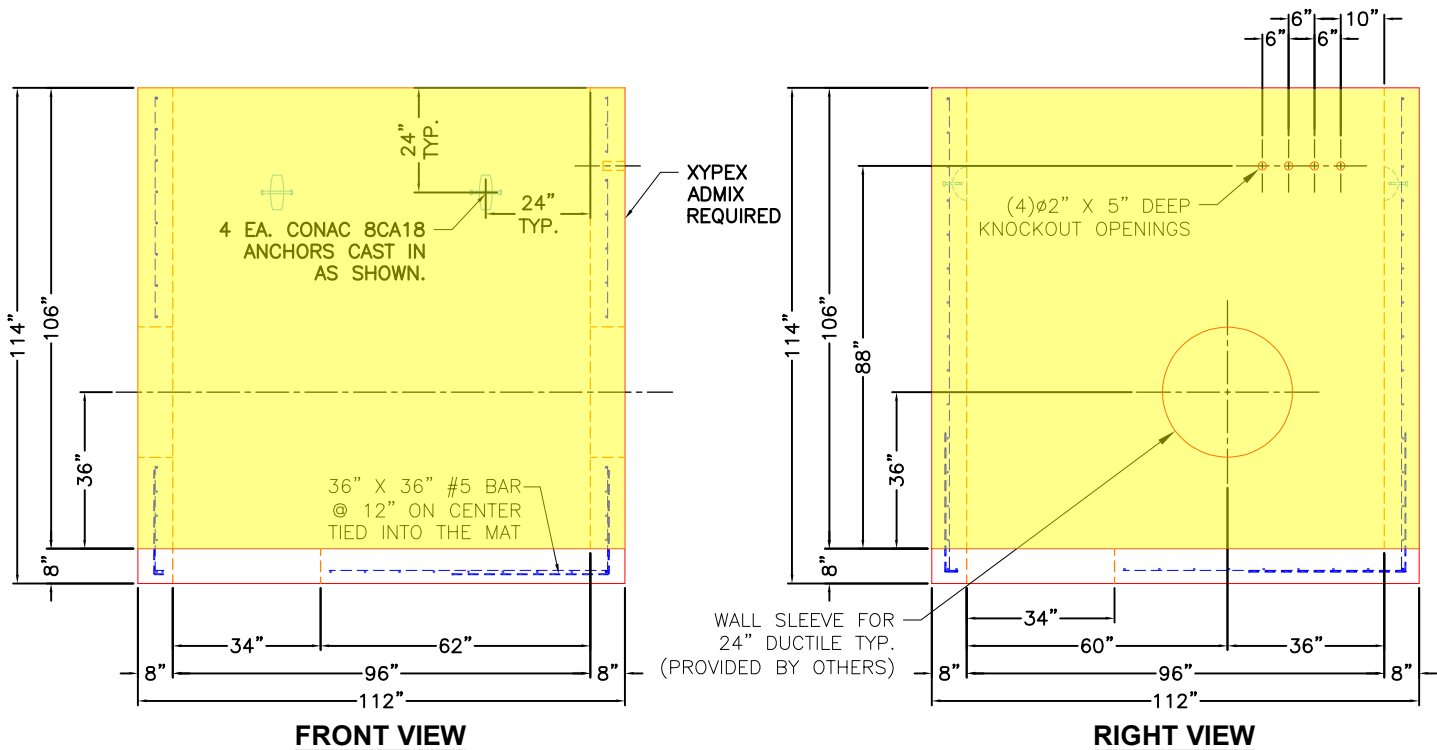
MATT PHILLIPS ENGINEERING, PLLC
 519 E. INVERFAIRLE DR., #017
 ROCKWALL, TX 75087


GENERAL NOTES:

1. MANUFACTURED TO ASTM C-913 (LATEST REVISION).
2. CONCRETE: 5,000 PSI AT 28 DAYS.
3. XYPEX ADMIXTURE REQUIRED.
4. REINFORCING: PER REINFORCEMENT DESIGN PROVIDED BY MATT CHILDS ENGINEERING PER ASTM A615 (GRADE 60).
5. WEIGHTS:
 FIRST POUR - 7,645 LBS
SECOND POUR - 28,653 LBS
 TOTAL - 36,298 LBS
6. PIPE WALL SLEEVES PROVIDED BY OTHERS.
7. FLOOR SLOPE PROVIDED BY OTHERS.



SECOND POUR DRAWING



PRODUCTION WORK ORDER		PRODUCT I.D.: CVBVF-X	DESCRIPTION: 8' X 8' X 9'-8" VAULT BASE	
	QUALITY CONTROL CHECKLIST	PRODUCT VIEW: RIGHT SIDE UP	CUSTOMER: CUMBERLAND VALLEY CONSTRUCTORS, INC.	
	<input type="checkbox"/> ALL DIMENSIONS CORRECT.	PLANT: BEAVER DAM, KY.	PROJECT: STONES RIVER ISOLATION VALVE REPLACEMENT	
	<input type="checkbox"/> LIFTERS INSTALLED.	WEIGHT: 36,298 LBS.	STRUCTURE: 96IN X 96IN VAULT	
	<input type="checkbox"/> HOLE LOCATION(S) CORRECT.	TOP SECTION JOINT: FLAT	ORDER NO: 25-1549	
	<input type="checkbox"/> REINFORCING CORRECT.	BASE SECTION JOINT: N/A	PC: J. JARVIS	DRAWING: J. COPPAGE
	<input type="checkbox"/> SURFACE QUALITY ACCEPTABLE.	QC CHECK INITIALS:	DATE: 9/8/25	SCALE: NTS
<input type="checkbox"/> EDGES CHAMFERED.			PG. 1 of 1	
<input type="checkbox"/> JOINT INSTALLED(IF NECESSARY).				

DESIGN NOTE:

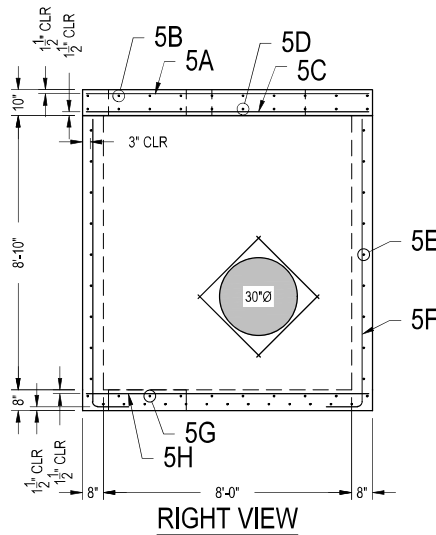
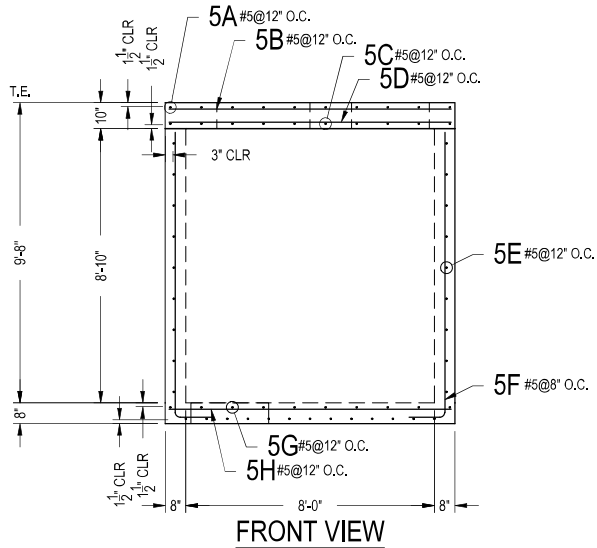
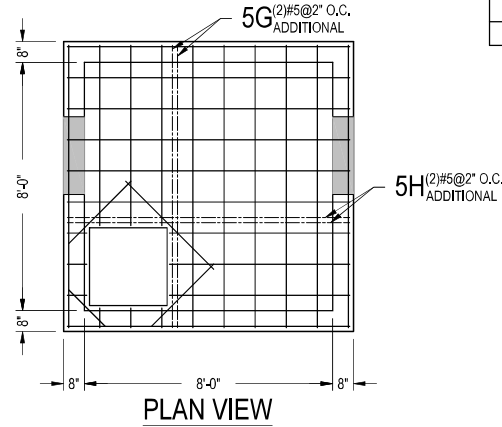
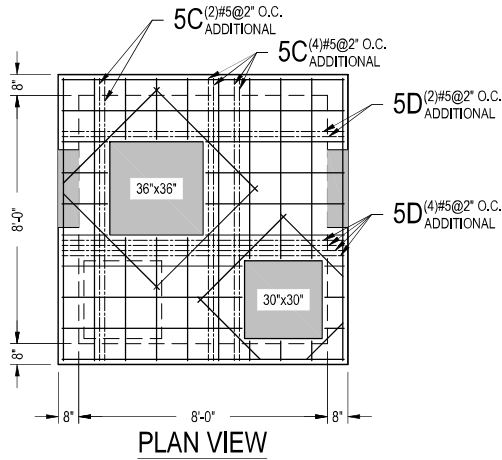
HS20 LOADING - ASTM C890
 CONCRETE 28 DAY COMPRESSIVE STRENGTH - 5000 PSI
 REINFORCEMENT STEEL - 60,000 PSI
 REBAR MIN SPLICE LENGTHS: #4-22" #5-28" #6-33"
 PLACE 4-#4 BAR DIAGONAL AROUND OPENING(S)

STEEL REINFORCEMENT SHOWN BELOW SHALL BE CUT AS REQUIRED FOR WALL PENETRATIONS AND PRECAST JOINT LOCATIONS.
 PLEASE NOTE: DUE TO PRECAST PRODUCTION CONSTRAINTS, NO REINFORCING WILL BE CONTINUOUS ACROSS PRECAST JOINTS.

**25-1549
 STONES RIVER WTP ISOLATION VALVE REPLACEMENT
 96IN X 96IN VAULT**

REINFORCING STEEL SCHEDULE

MARK	NO.	LENGTH	TYPE	lb/EA	TOTAL LB	BENDING DIAGRAM
5A	10	9'-1"	STR.	9.4739	94.7392	
5B	10	9'-1"	STR.	9.4739	94.7392	
5C	16	9'-1"	STR.	9.4739	151.5824	
5D	16	9'-1"	STR.	9.4739	151.5824	
5E	9	20'-0" (2)	BENT	20.86	375.48	
5F	52	10'-3"	BENT	10.6908	555.919	
5G	12	9'-2"	STR.	9.5608	114.7296	
5H	12	9'-2"	STR.	9.5608	114.7296	



VAULT
 8'-0" x 8'-0"
 INFRASTRUCTURE PRECAST
 STONES RIVER ISOLATION
 DATE: 9/12/25
 PAGE: 1 OF 1

REVISIONS
 DRAWN BY: MBJ
 SCALE: 1/4" = 1'
 A
 B
 C
 D

