

Job Name: 25-1549 Stone River WTP Isolation Valve Replacement
Job Location: Murfreesboro, TN
Contractor: Cumberland Valley Constructors, Inc.

PC: J. Jarvis
 TECH: J. Coppage
 Plant: Beaver Dam



Structure ID: 120IN X 120IN VAULT
 Spec: Storm-Pipe Centered Xypex
 Type: BX 8inW, 8inF
 Size: 120" x 120"

Rim: 549.16'
 Invert: 540.5'
 Rim to Invert: 8.66'

Sump: 0"
 Floor (Top): 540.5'
 Floor Height: 8"

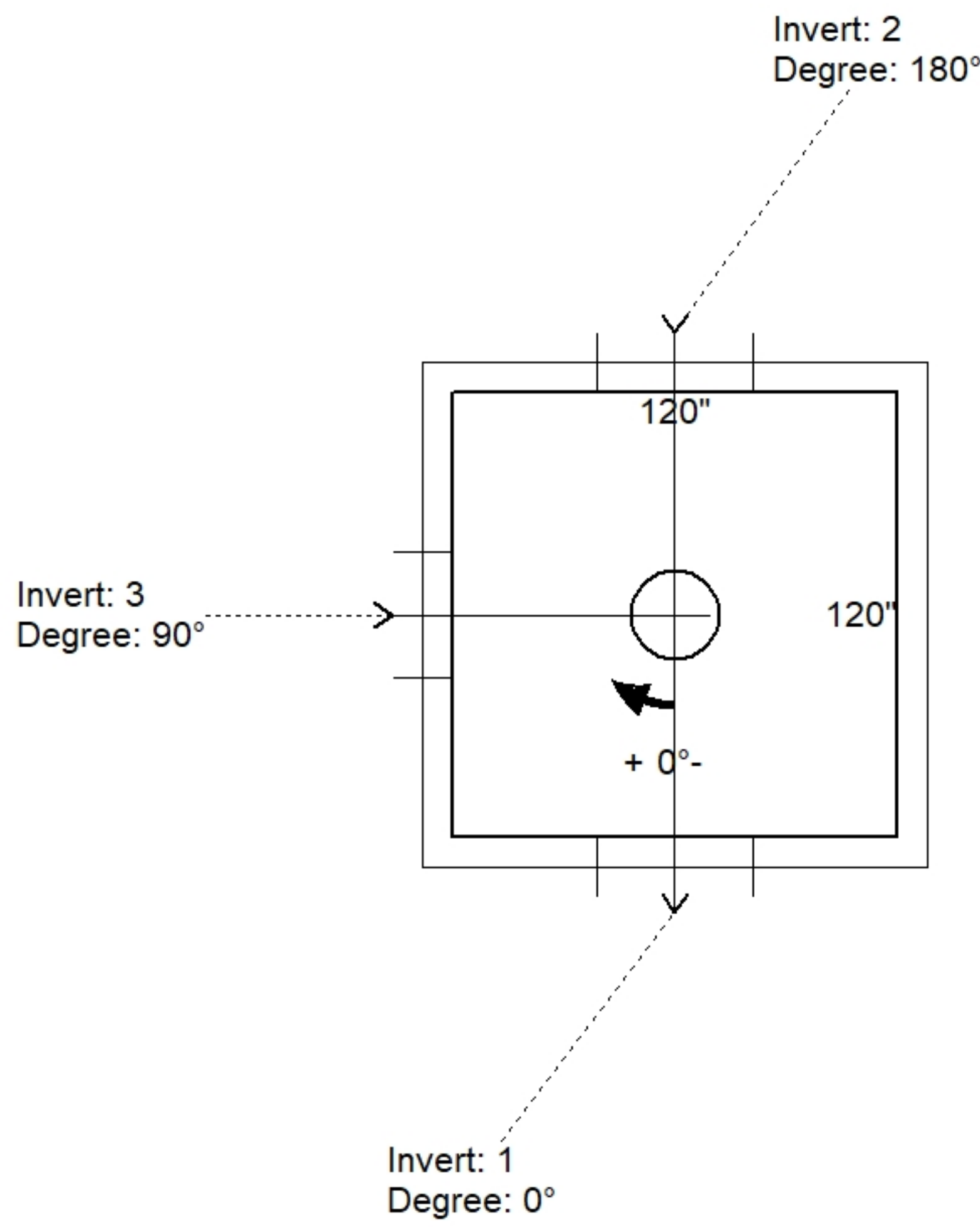
Floor (Bot): 539.833'
 Overall Height: 9.333'
 Slack: -0.08"

Structure Notes:

- PER ASTM C913 SPECIFICATIONS.
- CONCRETE = 4,000 PSI AT 28 DAYS.
- REINFORCING PER ASTM A615 (GRADE 60).
 - WALLS (As .12) #5 BARS AT 12" C.C.E.W.
 - FLOOR (As .12) #5 BARS AT 12" C.C.E.W.

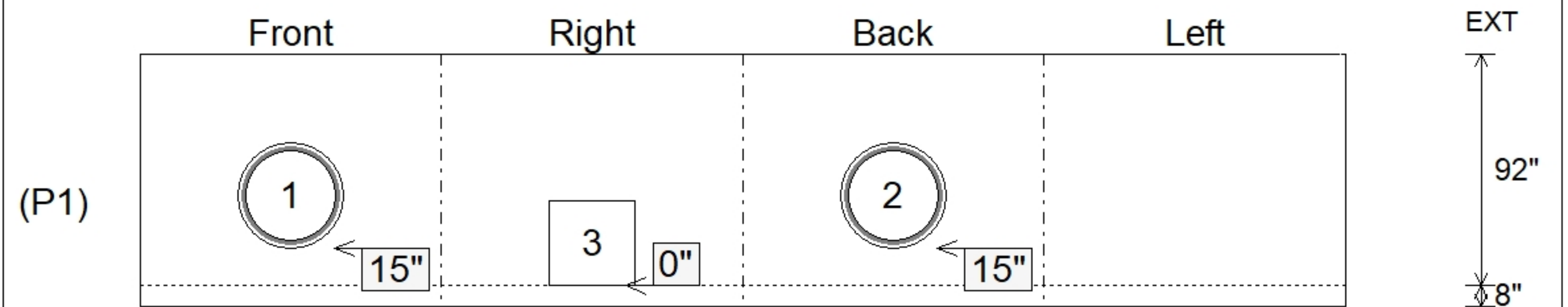
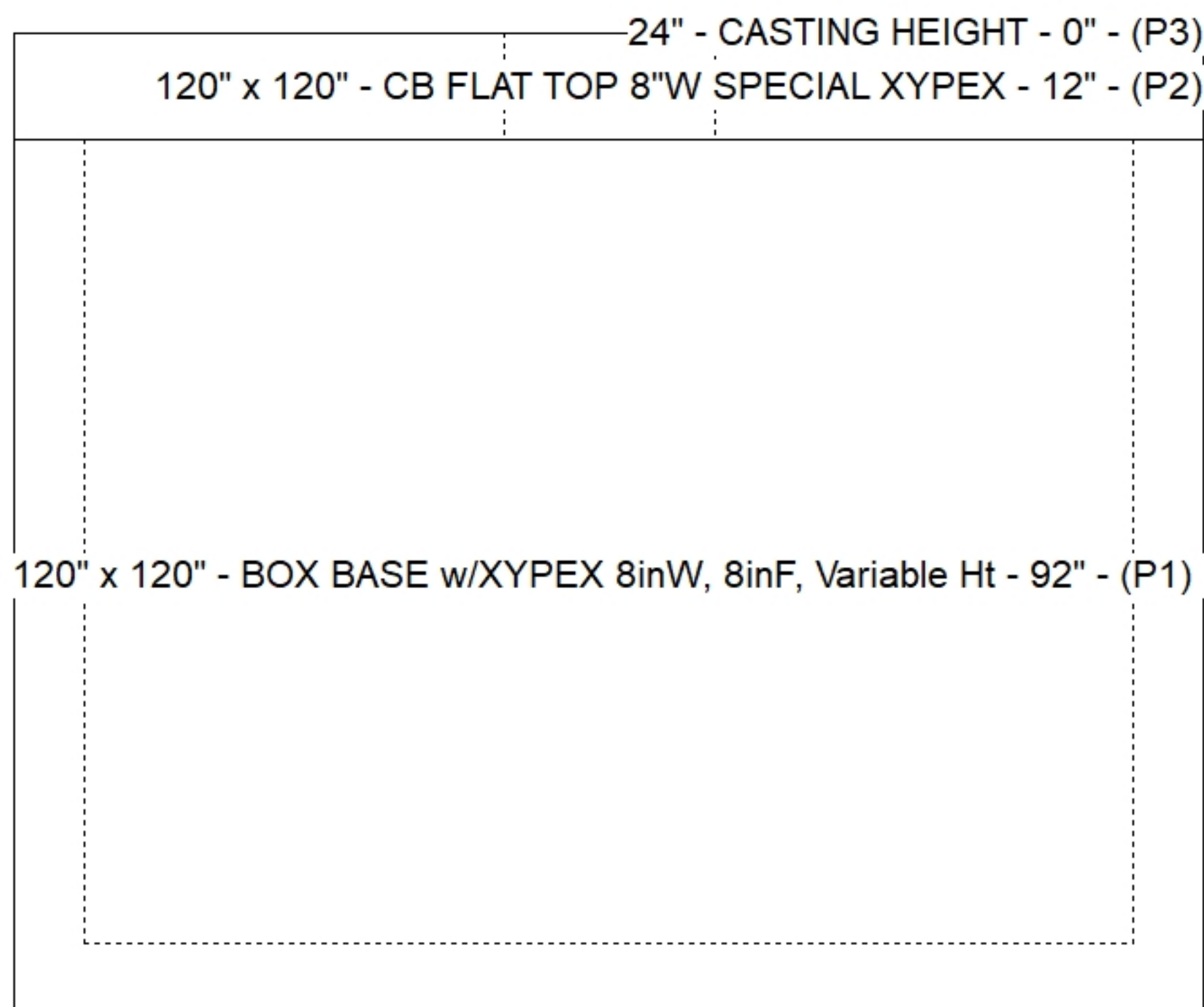
STRUCTURE SUMMARY:

P3) 24" - CASTING HEIGHT - 0"	0 lb
P2) 120" x 120" - CB FLAT TOP 8"W SPECIAL XYPEX - 12"	18169 lb
P1) 120" x 120" - BOX BASE w/XYPEX 8inW, 8inF, Variable Ht - 92"	41401 lb
1) HATCH (Alum.) - HALLIDAY H1W 30"x30"	235 lb
1) HATCH (Alum.) - HALLIDAY H2W 48"x48"	235 lb
1) JOINT WRAP - 0.065"x6"x50' CONSEAL CS212	0 lb
1) JOINT WRAP PRIMER - CONSEAL CS-75 (1 gal.)	0 lb
2) Hole - 42	0 lb
1) SQ. Hole - 34"x34"	0 lb
Structure Total:	60040 lb



Position	Elev	Angle	Pipe	Pipe OD	Hole	Connector	Up (")	Ref
Rim	549.16'							
Reducer								
Invert 1	542'	0°	36" DI	38.5"	42"	Hole 42	15"	P1
Invert 2	542'	180°	36" DI	38.5"	42"	Hole 42	15"	P1
Invert 3	540.5'	90°	34" x 34" SQ. Hole	34" x 34"	34" x 34"	SQ. Hole 34"x34"	0"	P1
Invert 4								
Invert 5								
Invert 6								
Invert 7								
Invert 8								

Default - Interior Dimensions



Submittal Drawing
 10/29/2025 9:32:19 AM

SUBMITTAL
 APPROVED BY: