

Structure ID: MH N4

P2 MH048RS48CDARED

MH RISER w/ConBlock-CDA Red T/G

P5) 24" - CASTING HEIGHT - 7" P4) 24" - GRADE RING w/ConBlock-CDA Red F/F - 3" P3) 48" - ECC CONE w/ 24" HOLE, w/ConBlock-CDA Red F/G - 42" P2) 48" - MH RISER w/ConBlock-CDA Red T/G - 48" P1) 48" - MH BASE w/ConBlock-CDA Red T/n - 18" 1) 48" - MH INVERT CHANNEL w/ConBlock-CDA Red - FULL HEIGHT 1) JOINT WRAP - 0.065"x6"x50' CONSEAL CS212 1) JOINT WRAP PRIMER - CONSEAL CS-75 (1 gal.) 1) CASTING - HOE MC-350 F/C Sanitary 2) 48" - Conseal CS-102 1.00" (Double) 2) PSX - 12-08 NYLO 5) MH Step ML-10-TDS-NCR - 10"	0 lb 202 lb 3116 lb 3353 lb 2492 lb 1440 lb 0 lb 0 lb 0 lb 305 lb 0 lb 16 lb 0 lb ----- Structure Total: 10925 lb
--	---

Structure Notes:

1. PER ASTM C478 SPECIFICATIONS.
2. CONCRETE = 4,000 PSI AT 28 DAYS.
3. ADMIXTURE = CONBLOCK CDA RED.
4. CASTING BY ICAST (HOE MC-350 F/C)

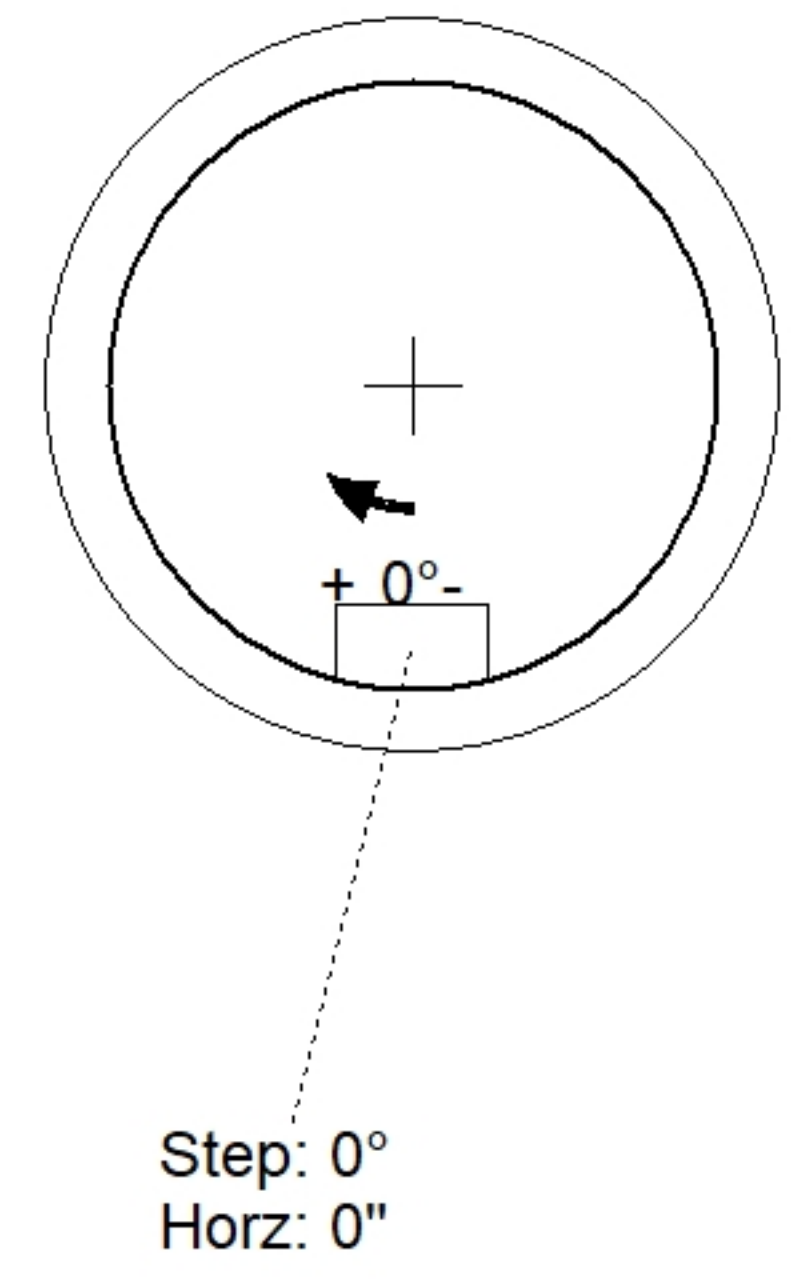
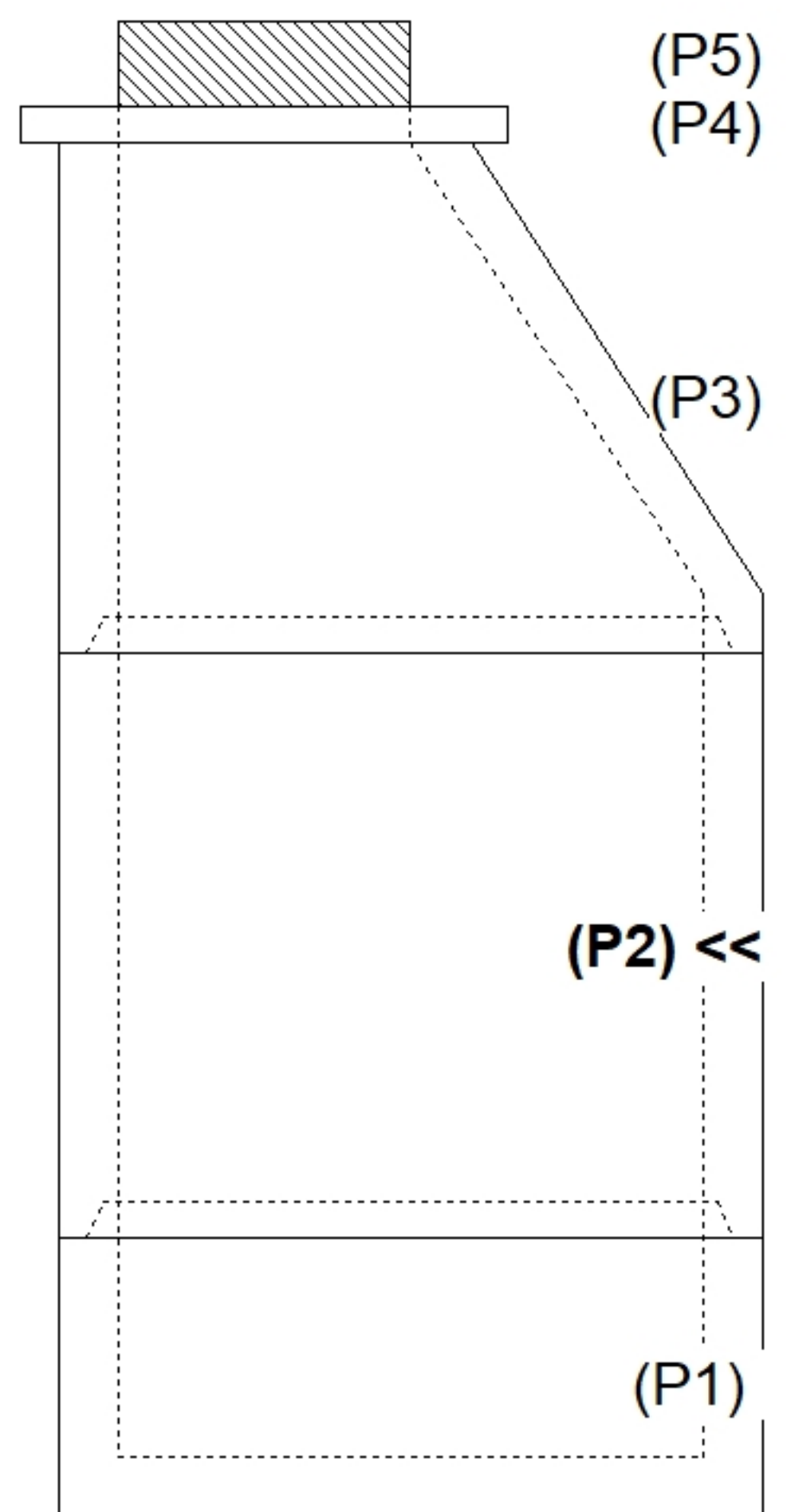
REINFORCING PER ASTM A615 (GRADE 60).

- CONE (As .12)
- RISER/WALLS (As .12)
- FLOOR (As .31) #5 BARS AT 12" C.C.E.W.

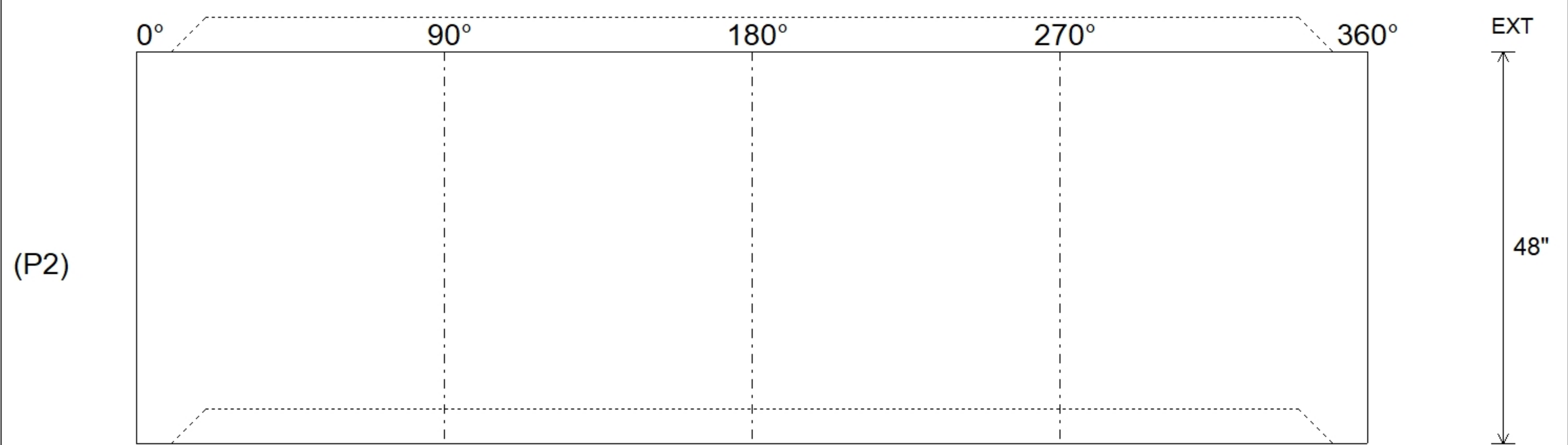
Rim: 884.55' Rim to Invert: 9.7' Slack: 0.4" Sump: 2" Step Position: 0°

Position	Elev	Angle	Ext. (cw)	Pipe	Pipe OD	Connector	Hole	Horz Size	Up (L)	Offset
Invert 1										
Invert 2										
Invert 3										
Invert 4										
Invert 5										
Invert 6										
Invert 7										
Invert 8										

RIGHT-SIDE UP VIEW (int. dimensions)



INSIDE WALL DIMENSIONS



Coating (Int): Coating (Ext):	Seam Up: Tongue Seam Dn: Groove	Wall Thickness: 5" Floor Height: 0"	Height (Int): 48" Height (Ext): 48"	Weight (Net): 3353 lb Volume (Net): 0.86cu.yd
----------------------------------	------------------------------------	--	--	--