

Job Name: 25-1511 Halfhill Estates Ph.3
Job Location: Nicholasville, KY
Contractor: Perdue Environmental Contracting Co., Inc.

PC: J. Jarvis
 TECH: J. Horsley
 Plant: Beaver Dam



Structure ID: **MH N1**
 Spec: Sanitary
 Type: SAN.MH w/ConBlock-CDA Red
 Size: 48"

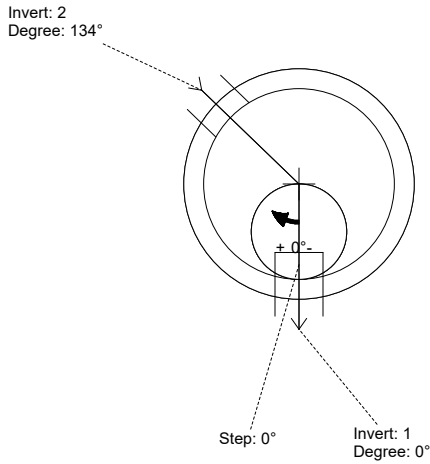
Rim: 872.72'
 Invert: 869.14'
 Rim to Invert: 3.58'

Sump: 2"
 Floor (Top): 868.973'
 Floor Height: 6"

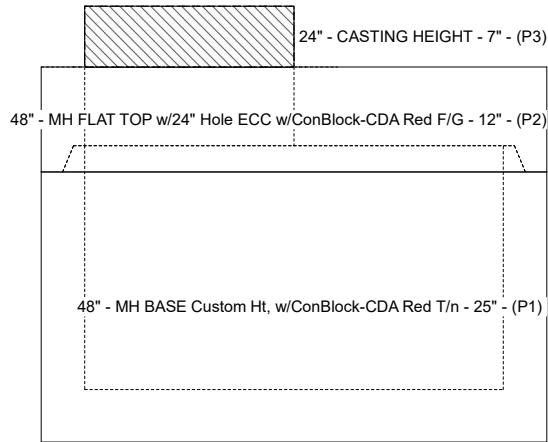
Floor (Bot): 868.473'
 Overall Height: 4.167'
 Slack: 0.96"

- Structure Notes:**
- PER ASTM C-478 SPECIFICATIONS
 - CONCRETE: 4,000 PSI AT 28 DAYS
 - REINFORCEMENT:
 - FLAT LID: #4 BAR @ 10" C.C. E.W. (GRADE 60)
 - BASE: PER ASTM A615
 - INVERT CHANNEL REQUIRED
 - CONBLOCK CDA RED ADMIXTURE REQUIRED
 - STEPS AT 0 DEGREES
 - CASTING BY ICAST (HOE MC-350 FRAME & COVER "SANITARY")

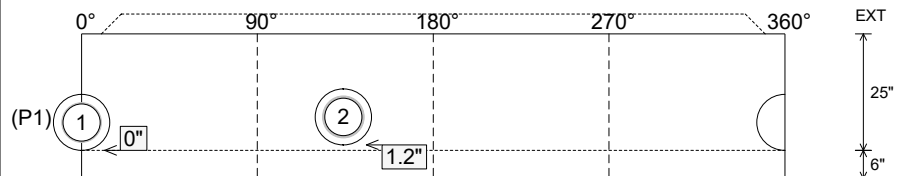
- STRUCTURE SUMMARY:**
- P3) 24" - CASTING HEIGHT - 7" 0 lb
 - P2) 48" - MH FLAT TOP w/24" Hole ECC w/ConBlock-CDA Red F/G - 12" 1580 lb
 - P1) 48" - MH BASE Custom Ht, w/ConBlock-CDA Red T/n - 25" 2981 lb
 - 1) 48" - MH INVERT CHANNEL w/ConBlock-CDA Red - FULL HEIGHT 1440 lb
 - 1) JOINT WRAP - 0.065"x6"x50' CONSEAL CS212 0 lb
 - 1) JOINT WRAP PRIMER - CONSEAL CS-75 (1 gal.) 0 lb
 - 1) CASTING - HOE MC-350 F/C Sanitary 305 lb
 - 1) 48" - Conseal CS-102 1.00" (Double) 0 lb
 - 1) PSX - 12-08 NYLO 8 lb
 - 1) PSX - 12M NYLO 8 lb
 - 2) MH Step ML-10-TDS-NCR - 10" 0 lb
- Structure Total: **6322 lb**



Position	Elev	Angle	Pipe	Pipe OD	Hole	Connector	Up (L)	Ref
Rim	872.72'							
Reducer								
Invert 1	869.14'	0°	8" PVC SDR35	8.5"	12"	PSX 12-08 NYLO	0"	P1
Invert 2	869.24'	134°	8" DI	9"	12"	PSX 12M NYLO	1.2"	P1
Invert 3								
Invert 4								
Invert 5								
Invert 6								
Invert 7								
Invert 8								



Cast (Int. Dim.) - Interior Dimensions



Submittal Drawing
 12/22/2025 1:44:07 PM

SUBMITTAL
 APPROVED BY: