

Job Name: 25-1511 Halfhill Estates Ph.3  
 Job Location: Nicholasville, KY  
 Contractor: Perdue Environmental Contracting Co., Inc.

Plant: Beaver Dam  
 12/22/2025 1:45:36 PM

Tech: J. Horsley  
 PC: J. Jarvis



**Structure ID: MH N1**

**P1 MH048BAVFCDARED**

**MH BASE Custom Ht, w/ConBlock-CDA Red T/n**

- P3) 24" - CASTING HEIGHT - 7" 0 lb
  - P2) 48" - MH FLAT TOP w/24" Hole ECC w/ConBlock-CDA Red F/G - 12" 1580 lb
  - P1) 48" - MH BASE Custom Ht, w/ConBlock-CDA Red T/n - 25" 2981 lb
  - 1) 48" - MH INVERT CHANNEL w/ConBlock-CDA Red - FULL HEIGHT 1440 lb
  - 1) JOINT WRAP - 0.065"x6"x50" CONSEAL CS212 0 lb
  - 1) JOINT WRAP PRIMER - CONSEAL CS-75 (1 gal.) 0 lb
  - 1) CASTING - HOE MC-350 F/C Sanitary 305 lb
  - 1) 48" - Conseal CS-102 1.00" (Double) 0 lb
  - 1) PSX - 12-08 NYLO 8 lb
  - 1) PSX - 12M NYLO 8 lb
  - 2) MH Step ML-10-TDS-NCR - 10" 0 lb
- Structure Total: 6322 lb

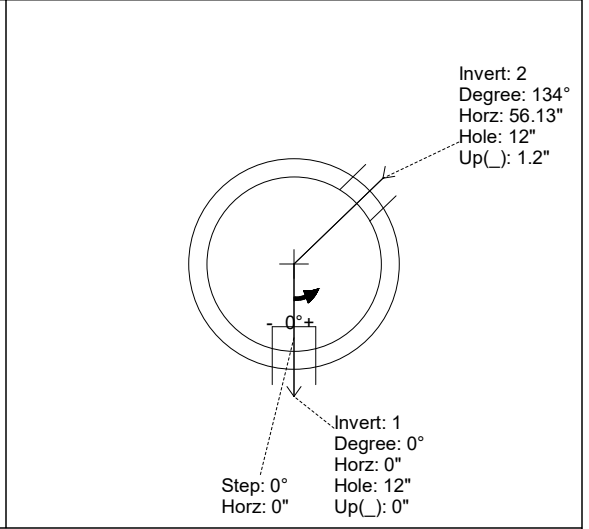
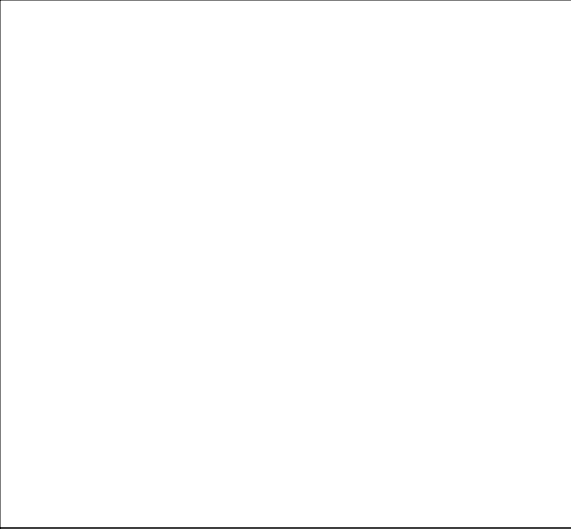
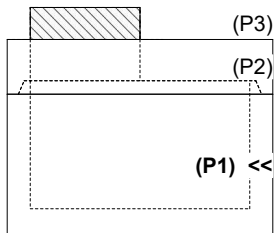
- Structure Notes:**
1. PER ASTM C-478 SPECIFICATIONS
  2. CONCRETE: 4,000 PSI AT 28 DAYS
  3. REINFORCEMENT: PER ASTM A615
  4. INVERT CHANNEL REQUIRED
  5. CONBLOCK CDA RED ADMIXTURE REQUIRED
  6. STEPS AT 0 DEGREES
  7. CASTING BY ICAST (HOE MC-350 FRAME & COVER "SANITARY")

Rim: 872.72' Rim to Invert: 3.58' Slack: 0.96" Sump: 2" Step Position: 0°

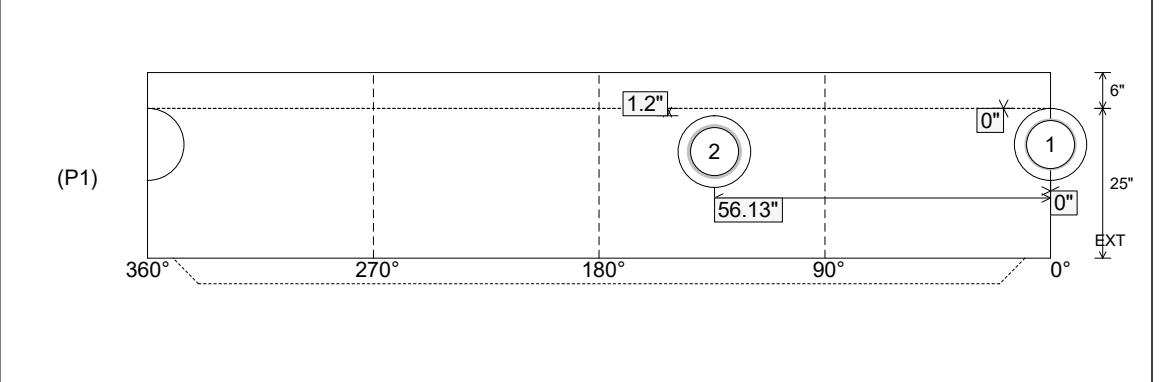
Position	Elev	Angle	Ext. (cw)	Pipe	Pipe OD	Connector	Hole	Horz Size	Up (⌋)	Offset
Invert 1	869.14'	0°	0"	8" PVC SDR35	8.5"	PSX 12-08 NYLO	12"	12.129"	0"	0"
Invert 2	869.24'	134°	67.823"	8" DI	9"	PSX 12M NYLO	12"	12.129"	1.2"	0"
Invert 3										
Invert 4										
Invert 5										
Invert 6										
Invert 7										
Invert 8										

RIGHT-SIDE UP VIEW (int. dimensions)

UPSIDE-DOWN VIEW (int. dimensions)



INSIDE WALL DIMENSIONS



Coating (Int): Coating (Ext):	Seam Up: Tongue Seam Dn: n/a	Wall Thickness: 5" Floor Height: 6"	Height (Int): 25" Height (Ext): 31"	Weight (Net): 2981 lb Volume (Net): 0.76cu.yd
----------------------------------	---------------------------------	--	--	--

Job Name: 25-1511 Halfhill Estates Ph.3  
 Job Location: Nicholasville, KY  
 Contractor: Perdue Environmental Contracting Co., Inc.

Plant: Beaver Dam  
 12/22/2025 1:45:36 PM

Tech: J. Horsley  
 PC: J. Jarvis



**Structure ID: MH N1**

**P1 MH048BAVFCDARED**

**MH BASE Custom Ht, w/ConBlock-CDA Red T/n**

- P3) 24" - CASTING HEIGHT - 7" 0 lb
  - P2) 48" - MH FLAT TOP w/24" Hole ECC w/ConBlock-CDA Red F/G - 12" 1580 lb
  - P1) 48" - MH BASE Custom Ht, w/ConBlock-CDA Red T/n - 25" 2981 lb
  - 1) 48" - MH INVERT CHANNEL w/ConBlock-CDA Red - FULL HEIGHT 1440 lb
  - 1) JOINT WRAP - 0.065"x6"x50" CONSEAL CS212 0 lb
  - 1) JOINT WRAP PRIMER - CONSEAL CS-75 (1 gal.) 0 lb
  - 1) CASTING - HOE MC-350 F/C Sanitary 305 lb
  - 1) 48" - Conseal CS-102 1.00" (Double) 0 lb
  - 1) PSX - 12-08 NYLO 8 lb
  - 1) PSX - 12M NYLO 8 lb
  - 2) MH Step ML-10-TDS-NCR - 10" 0 lb
- Structure Total: 6322 lb

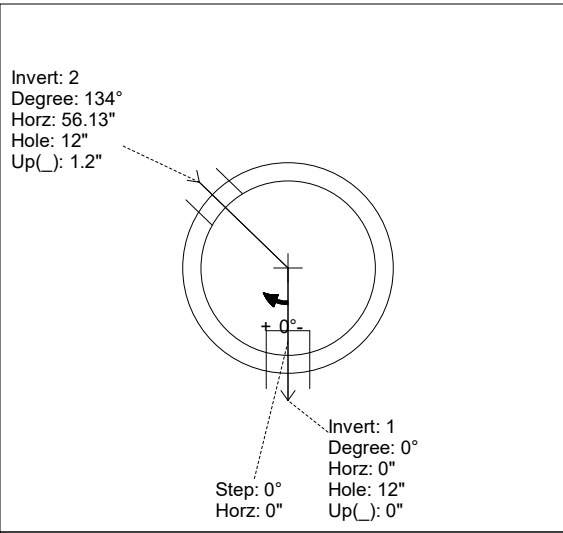
- Structure Notes:**
1. PER ASTM C-478 SPECIFICATIONS
  2. CONCRETE: 4,000 PSI AT 28 DAYS
  3. REINFORCEMENT: PER ASTM A615
  4. INVERT CHANNEL REQUIRED
  5. CONBLOCK CDA RED ADMIXTURE REQUIRED
  6. STEPS AT 0 DEGREES
  7. CASTING BY ICAST (HOE MC-350 FRAME & COVER "SANITARY")

Rim: 872.72' Rim to Invert: 3.58' Slack: 0.96" Sump: 2" Step Position: 0°

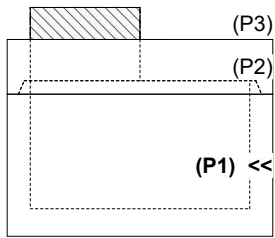
Position	Elev	Angle	Ext. (cw)	Pipe	Pipe OD	Connector	Hole	Horz Size	Up ( )	Offset
Invert 1	869.14'	0°	0"	8" PVC SDR35	8.5"	PSX 12-08 NYLO	12"	12.129"	0"	0"
Invert 2	869.24'	134°	67.823"	8" DI	9"	PSX 12M NYLO	12"	12.129"	1.2"	0"
Invert 3										
Invert 4										
Invert 5										
Invert 6										
Invert 7										
Invert 8										

RIGHT-SIDE UP VIEW (int. dimensions)

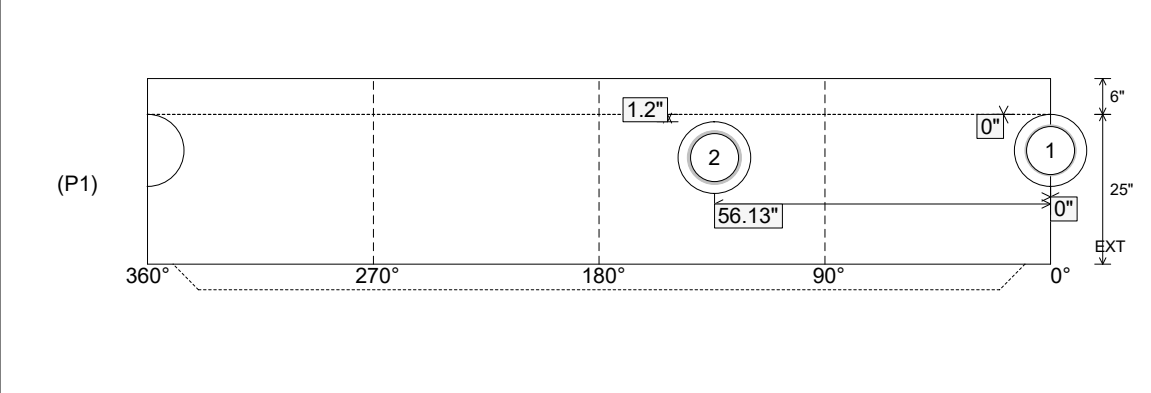
UPSIDE-DOWN VIEW (int. dimensions)



INVERT CHANNEL  
DRAWING



INSIDE WALL DIMENSIONS



Coating (Int): Coating (Ext):	Seam Up: Tongue Seam Dn: n/a	Wall Thickness: 5" Floor Height: 6"	Height (Int): 25" Height (Ext): 31"	Weight (Net): 2981 lb Volume (Net): 0.76cu.yd
----------------------------------	---------------------------------	--	--	--