

**Job Name: 25-1511 Halfhill Estates Ph.3**  
**Job Location: Nicholasville, KY**  
**Contractor: Perdue Environmental Contracting Co., Inc.**

PC: J. Jarvis  
 TECH: J. Horsley  
 Plant: Beaver Dam



Structure ID: MH K2

Spec: Sanitary  
 Type: SAN.MH w/ConBlock-CDA Red  
 Size: 48"

Rim: 885.5'  
 Invert: 880.4'  
 Rim to Invert: 5.1'

Sump: 2"  
 Floor (Top): 880.233'  
 Floor Height: 6"

Floor (Bot): 879.733'  
 Overall Height: 5.75'  
 Slack: 0.2"

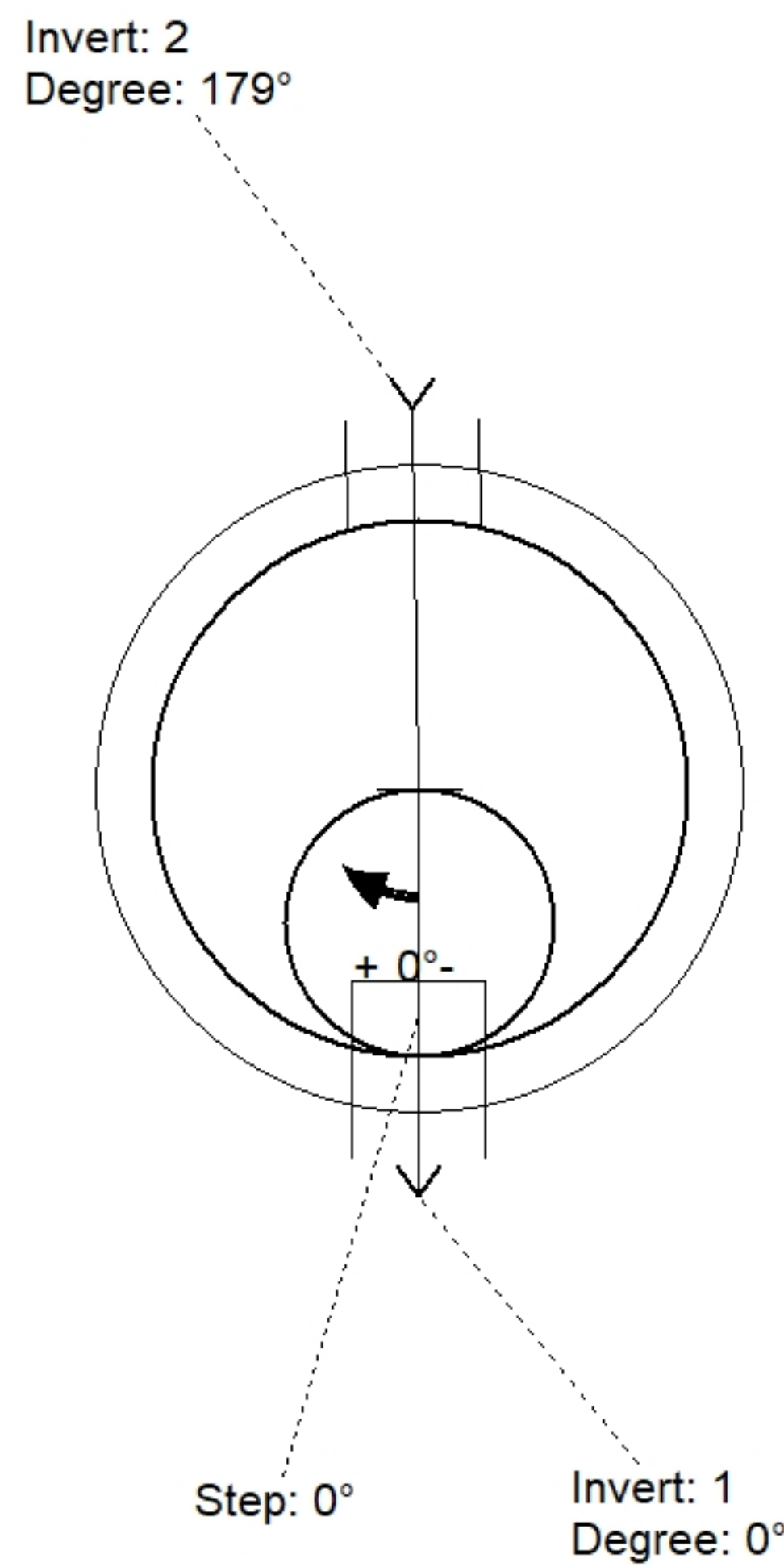
**Structure Notes:**

1. PER ASTM C478 SPECIFICATIONS.
2. CONCRETE = 4,000 PSI AT 28 DAYS.
3. ADMIXTURE = CONBLOCK CDA RED.
4. CASTING BY ICAST (HOE MC-350 F/C)

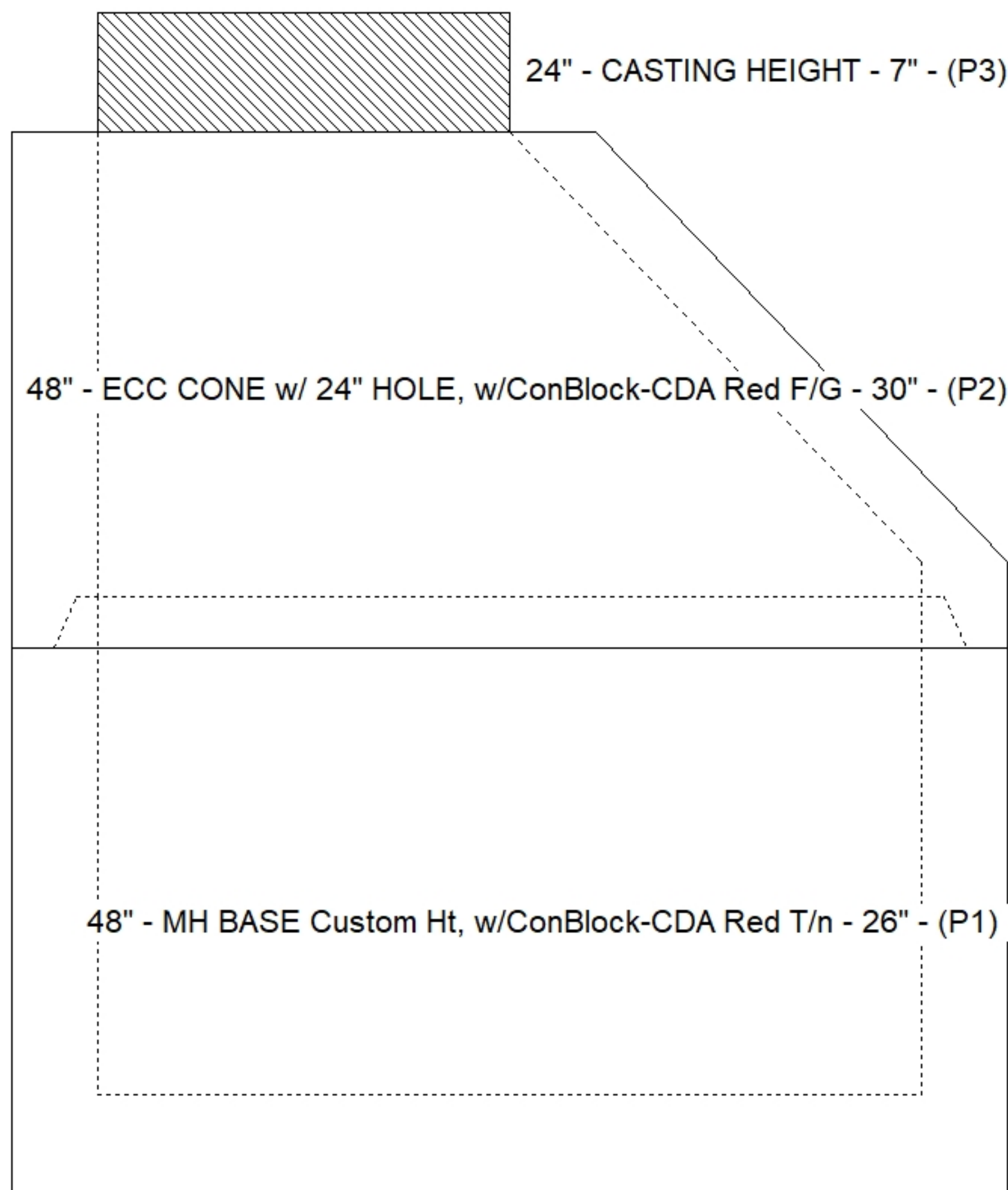
REINFORCING PER ASTM A615 (GRADE 60).  
 - CONE (As .12)  
 - RISER/WALLS (As .12)  
 - FLOOR (As .31) #5 BARS AT 12" C.C.E.W.

**STRUCTURE SUMMARY:**

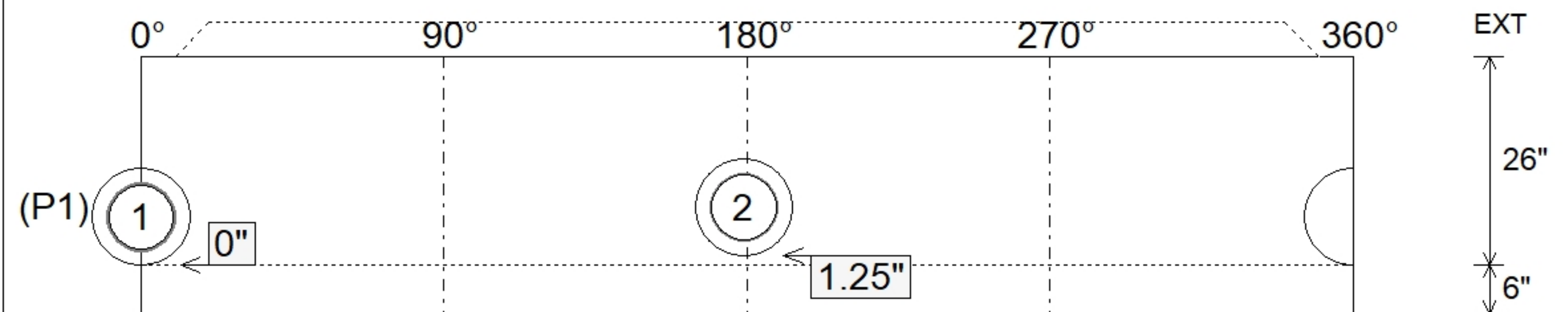
P3) 24" - CASTING HEIGHT - 7"	0 lb
P2) 48" - ECC CONE w/ 24" HOLE, w/ConBlock-CDA Red F/G - 30"	1961 lb
P1) 48" - MH BASE Custom Ht, w/ConBlock-CDA Red T/n - 26"	3051 lb
1) 48" - MH INVERT CHANNEL w/ConBlock-CDA Red - FULL HEIGHT	1440 lb
1) JOINT WRAP - 0.065"x6"x50' CONSEAL CS212	0 lb
1) JOINT WRAP PRIMER - CONSEAL CS-75 (1 gal.)	0 lb
1) CASTING - HOE MC-350 F/C Sanitary	305 lb
1) 48" - Conseal CS-102 1.00" (Double)	0 lb
2) PSX - 12-08 NYLO	16 lb
5) MH Step ML-10-TDS-NCR - 10"	0 lb
<b>Structure Total:</b>	<b>6773 lb</b>



Position	Elev	Angle	Pipe	Pipe OD	Hole	Connector	Up ( )	Ref
Rim	885.5'							
Reducer								
Invert 1	880.4'	0°	8" PVC SDR35	8.5"	12"	PSX 12-08 NYLO	0"	P1
Invert 2	880.5'	179°	8" PVC SDR35	8.5"	12"	PSX 12-08 NYLO	1.25"	P1
Invert 3								
Invert 4								
Invert 5								
Invert 6								
Invert 7								
Invert 8								



**Cast (Int. Dim.) - Interior Dimensions**



Submittal Drawing  
 12/16/2025 4:34:54 PM

SUBMITTAL  
 APPROVED BY: