

Job Name: 25-1511 Halfhill Estates Ph.3
 Job Location: Nicholasville, KY
 Contractor: Perdue Environmental Contracting Co., Inc.

Plant: Beaver Dam
 12/16/2025 4:37:04 PM

Tech: J. Horsley
 PC: J. Jarvis



Structure ID: MH K1

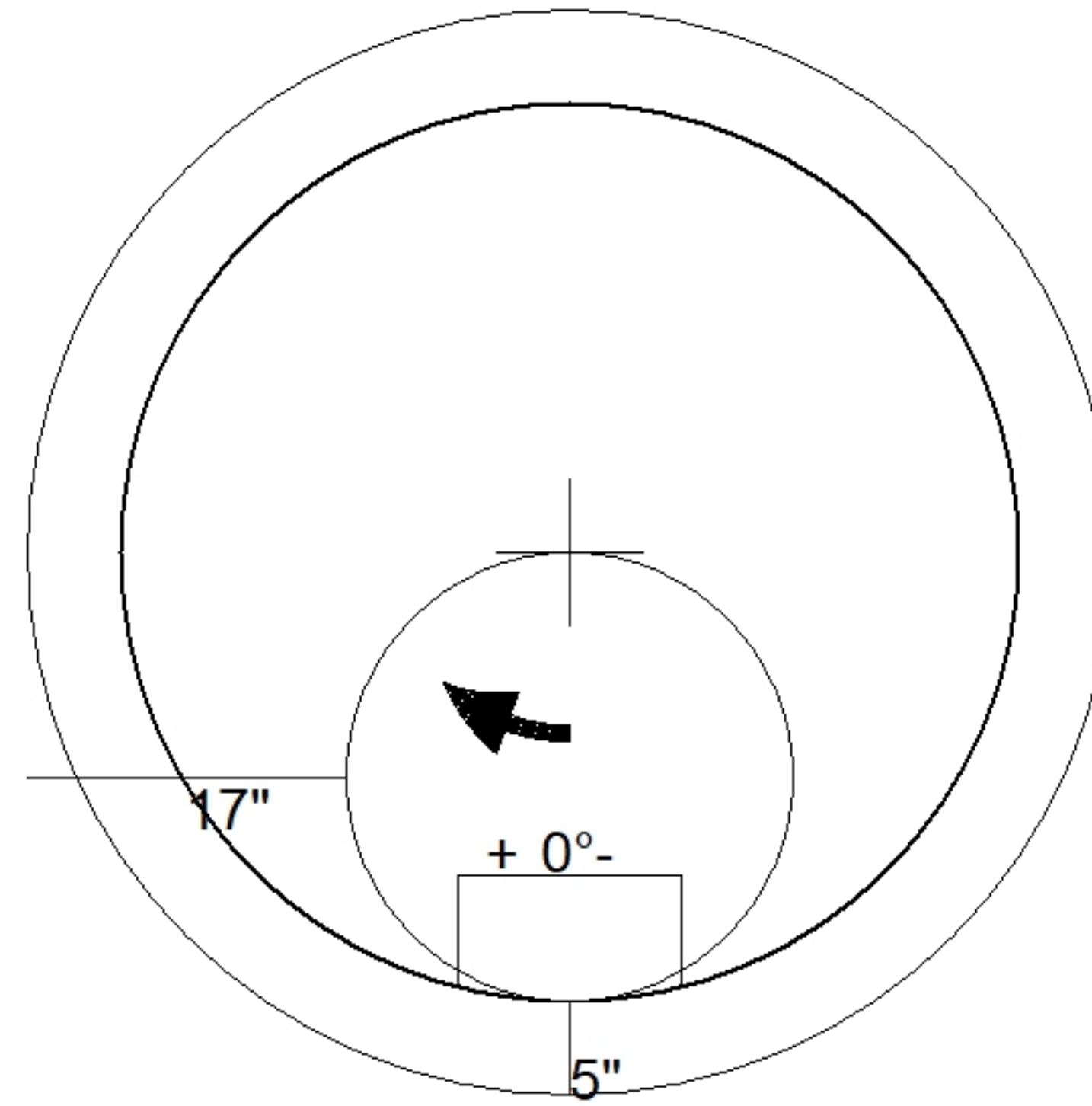
P2 MH048CN36CDARED

ECC CONE w/ 24" HOLE, w/ConBlock-CDA Red F/G

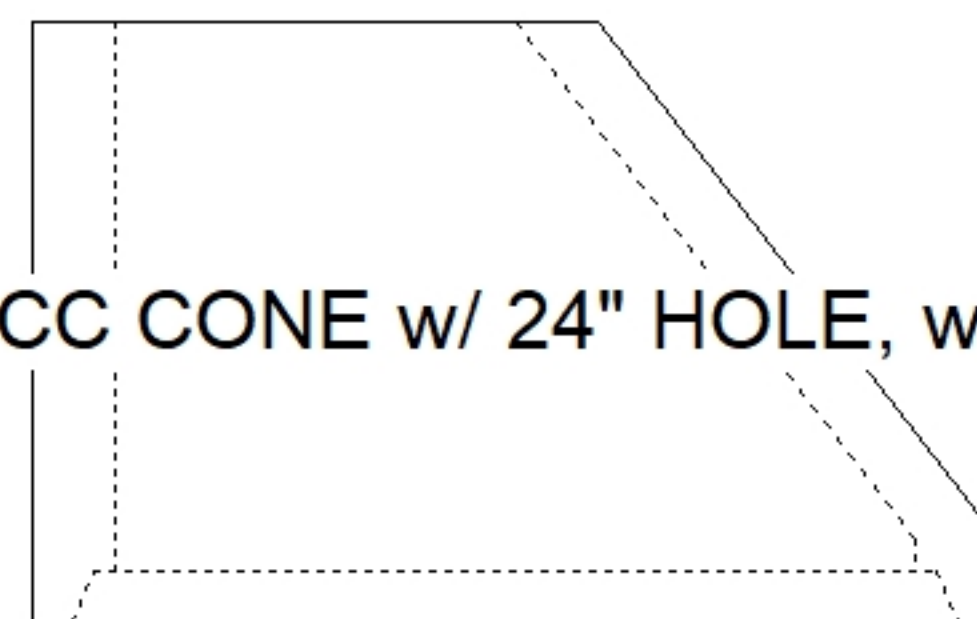
| | |
|--|---------|
| P3) 24" - CASTING HEIGHT - 7" | 0 lb |
| P2) 48" - ECC CONE w/ 24" HOLE, w/ConBlock-CDA Red F/G - 36" | 2251 lb |
| P1) 48" - MH BASE Custom Ht, w/ConBlock-CDA Red T/n - 32" | 3374 lb |
| 1) 48" - MH INVERT CHANNEL w/ConBlock-CDA Red - FULL HEIGHT | 1440 lb |
| 1) JOINT WRAP - 0.065"x6"x50' CONSEAL CS212 | 0 lb |
| 1) JOINT WRAP PRIMER - CONSEAL CS-75 (1 gal.) | 0 lb |
| 1) CASTING - HOE MC-350 F/C Sanitary | 305 lb |
| 1) 48" - Conseal CS-102 1.00" (Double) | 0 lb |
| 3) PSX - 12-08 NYLO | 24 lb |
| 1) PSX - 12-06 NYLO | 8 lb |
| 5) MH Step ML-10-TDS-NCR - 10" | 0 lb |
| Structure Total: | 7402 lb |

Structure Notes:
 1. PER ASTM C478 SPECIFICATIONS.
 2. CONCRETE = 4,000 PSI AT 28 DAYS.
 3. ADMIXTURE = CONBLOCK CDA RED.
 4. CASTING BY ICAST (HOE MC-350 F/C)

REINFORCING PER ASTM A615 (GRADE 60).
 - CONE (As .12)
 - RISER/WALLS (As .12)
 - FLOOR (As .31) #5 BARS AT 12" C.C.E.W.



48" - ECC CONE w/ 24" HOLE, w/ConBlock-CDA Red F/G - 36" - (P2)



| | | | | |
|----------------------------------|----------------------------------|--------------------|-------------------|--|
| Coating (Int): Coating (Ext): | Seam Up: Flat Seam Dn: Groove | Wall Thickness: 5" | Height (Ext): 36" | Weight (Net): 2251 lb Volume (Net): 0.57cu.yd |
|----------------------------------|----------------------------------|--------------------|-------------------|--|