

Job Name: 25-1511 Halfhill Estates Ph.3  
 Job Location: Nicholasville, KY  
 Contractor: Perdue Environmental Contracting Co., Inc.

Plant: Beaver Dam

Tech: J. Horsley

12/16/2025 4:35:29 PM

PC: J. Jarvis



**Structure ID: MH K1**

**P1 MH048BAVFCDARED**

**MH BASE Custom Ht, w/ConBlock-CDA Red T/n**

- P3) 24" - CASTING HEIGHT - 7" 0 lb
  - P2) 48" - ECC CONE w/ 24" HOLE, w/ConBlock-CDA Red F/G - 36" 2251 lb
  - P1) 48" - MH BASE Custom Ht, w/ConBlock-CDA Red T/n - 32" 3374 lb
  - 1) 48" - MH INVERT CHANNEL w/ConBlock-CDA Red - FULL HEIGHT 1440 lb
  - 1) JOINT WRAP - 0.065"x6"x50' CONSEAL CS212 0 lb
  - 1) JOINT WRAP PRIMER - CONSEAL CS-75 (1 gal.) 0 lb
  - 1) CASTING - HOE MC-350 F/C Sanitary 305 lb
  - 1) 48" - Conseal CS-102 1.00" (Double) 0 lb
  - 3) PSX - 12-08 NYLO 24 lb
  - 1) PSX - 12-06 NYLO 8 lb
  - 5) MH Step ML-10-TDS-NCR - 10" 0 lb
- Structure Total: 7402 lb

**Structure Notes:**

1. PER ASTM C478 SPECIFICATIONS.
2. CONCRETE = 4,000 PSI AT 28 DAYS.
3. ADMIXTURE = CONBLOCK CDA RED.
4. CASTING BY ICAST (HOE MC-350 F/C)

REINFORCING PER ASTM A615 (GRADE 60).

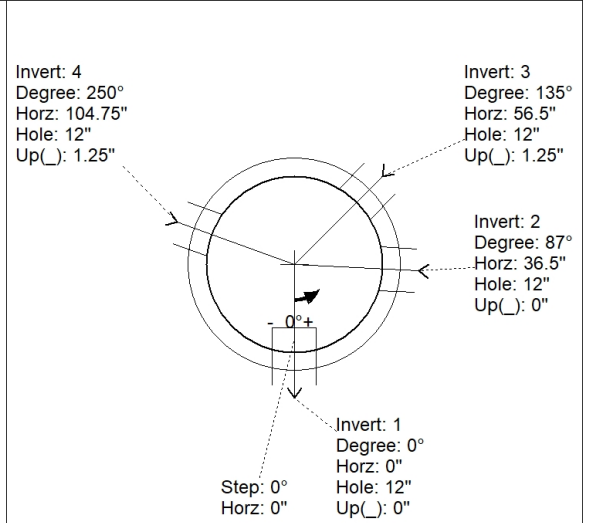
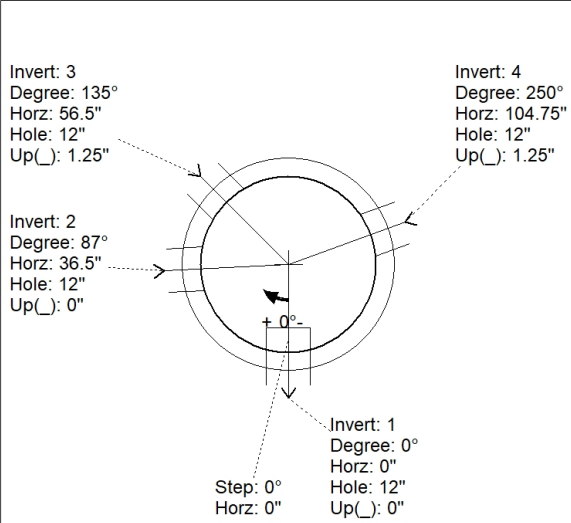
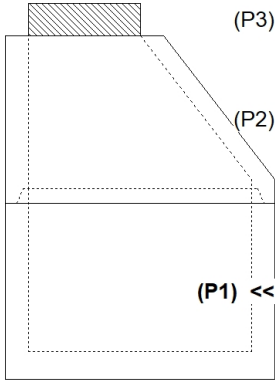
- CONE (As .12)
- RISER/WALLS (As .12)
- FLOOR (As .31) #5 BARS AT 12" C.C.E.W.

Rim: 880.37'    Rim to Invert: 6.08'    Slack: 0"    Sump: 2.04"    Step Position: 0°

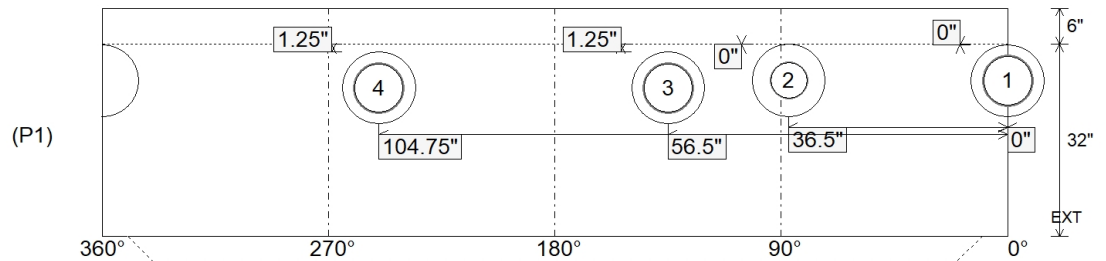
| Position | Elev    | Angle | Ext. (cw) | Pipe         | Pipe OD | Connector      | Hole | Horz Size | Up ( ) | Offset |
|----------|---------|-------|-----------|--------------|---------|----------------|------|-----------|--------|--------|
| Invert 1 | 874.29' | 0°    | 0"        | 8" PVC SDR35 | 8.5"    | PSX 12-08 NYLO | 12"  | 12.129"   | 0"     | 0"     |
| Invert 2 | 874.37' | 87°   | 44"       | 6" PVC SDR35 | 6.25"   | PSX 12-06 NYLO | 12"  | 12.129"   | 0"     | 0"     |
| Invert 3 | 874.39' | 135°  | 68.375"   | 8" PVC SDR35 | 8.5"    | PSX 12-08 NYLO | 12"  | 12.129"   | 1.25"  | 0"     |
| Invert 4 | 874.39' | 250°  | 126.5"    | 8" PVC SDR35 | 8.5"    | PSX 12-08 NYLO | 12"  | 12.129"   | 1.25"  | 0"     |
| Invert 5 |         |       |           |              |         |                |      |           |        |        |
| Invert 6 |         |       |           |              |         |                |      |           |        |        |
| Invert 7 |         |       |           |              |         |                |      |           |        |        |
| Invert 8 |         |       |           |              |         |                |      |           |        |        |

RIGHT-SIDE UP VIEW (int. dimensions)

UPSIDE-DOWN VIEW (int. dimensions)



INSIDE WALL DIMENSIONS



Coating (Int):  
Coating (Ext):

Seam Up: Tongue  
Seam Dn: n/a

Wall Thickness: 5"  
Floor Height: 6"

Height (Int): 32"  
Height (Ext): 38"

Weight (Net): 3374 lb  
Volume (Net): 0.86cu.yd

Job Name: 25-1511 Halfhill Estates Ph.3  
 Job Location: Nicholasville, KY  
 Contractor: Perdue Environmental Contracting Co., Inc.

Plant: Beaver Dam

Tech: J. Horsley

12/16/2025 4:35:29 PM

PC: J. Jarvis



**Structure ID: MH K1**

**P1A MH048BAVFCDARED**

**MH BASE Custom Ht, w/ConBlock-CDA Red T/n**

- P3) 24" - CASTING HEIGHT - 7" 0 lb
  - P2) 48" - ECC CONE w/ 24" HOLE, w/ConBlock-CDA Red F/G - 36" 2251 lb
  - P1) 48" - MH BASE Custom Ht, w/ConBlock-CDA Red T/n - 32" 3374 lb
  - 1) 48" - MH INVERT CHANNEL w/ConBlock-CDA Red - FULL HEIGHT 1440 lb
  - 1) JOINT WRAP - 0.065"x6"x50' CONSEAL CS212 0 lb
  - 1) JOINT WRAP PRIMER - CONSEAL CS-75 (1 gal.) 0 lb
  - 1) CASTING - HOE MC-350 F/C Sanitary 305 lb
  - 1) 48" - Conseal CS-102 1.00" (Double) 0 lb
  - 3) PSX - 12-08 NYLO 24 lb
  - 1) PSX - 12-06 NYLO 8 lb
  - 5) MH Step ML-10-TDS-NCR - 10" 0 lb
- Structure Total: 7402 lb

**Structure Notes:**

1. PER ASTM C478 SPECIFICATIONS.
2. CONCRETE = 4,000 PSI AT 28 DAYS.
3. ADMIXTURE = CONBLOCK CDA RED.
4. CASTING BY ICAST (HOE MC-350 F/C)

REINFORCING PER ASTM A615 (GRADE 60).

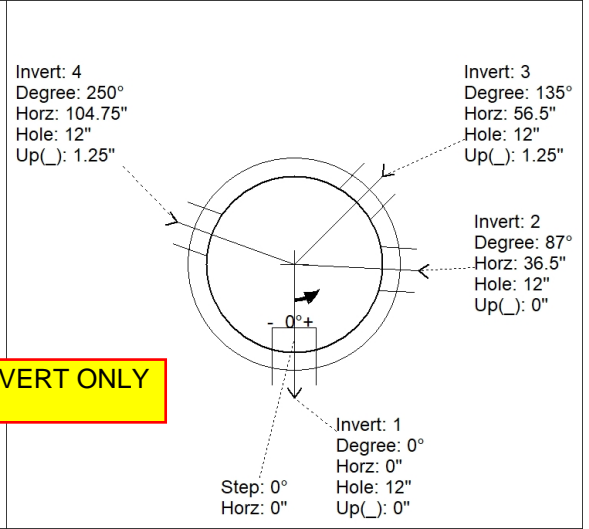
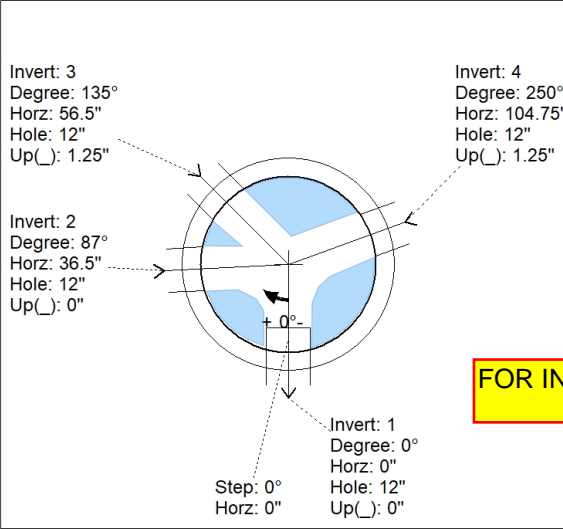
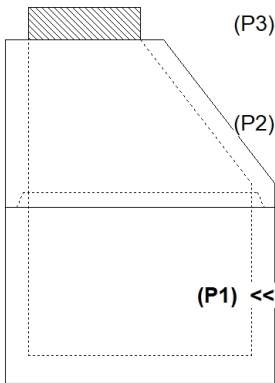
- CONE (As .12)
- RISER/WALLS (As .12)
- FLOOR (As .31) #5 BARS AT 12" C.C.E.W.

Rim: 880.37' Rim to Invert: 6.08' Slack: 0" Sump: 2.04" Step Position: 0°

| Position | Elev    | Angle | Ext. (cw) | Pipe         | Pipe OD | Connector      | Hole | Horz Size | Up ( ) | Offset |
|----------|---------|-------|-----------|--------------|---------|----------------|------|-----------|--------|--------|
| Invert 1 | 874.29' | 0°    | 0"        | 8" PVC SDR35 | 8.5"    | PSX 12-08 NYLO | 12"  | 12.129"   | 0"     | 0"     |
| Invert 2 | 874.37' | 87°   | 44"       | 6" PVC SDR35 | 6.25"   | PSX 12-06 NYLO | 12"  | 12.129"   | 0"     | 0"     |
| Invert 3 | 874.39' | 135°  | 68.375"   | 8" PVC SDR35 | 8.5"    | PSX 12-08 NYLO | 12"  | 12.129"   | 1.25"  | 0"     |
| Invert 4 | 874.39' | 250°  | 126.5"    | 8" PVC SDR35 | 8.5"    | PSX 12-08 NYLO | 12"  | 12.129"   | 1.25"  | 0"     |
| Invert 5 |         |       |           |              |         |                |      |           |        |        |
| Invert 6 |         |       |           |              |         |                |      |           |        |        |
| Invert 7 |         |       |           |              |         |                |      |           |        |        |
| Invert 8 |         |       |           |              |         |                |      |           |        |        |

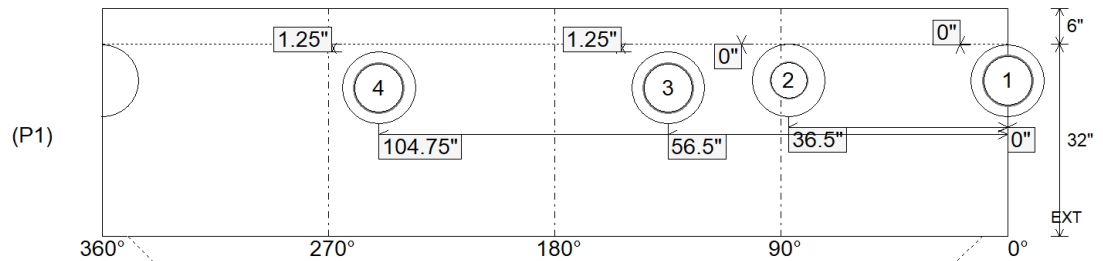
RIGHT-SIDE UP VIEW (int. dimensions)

UPSIDE-DOWN VIEW (int. dimensions)



FOR INVERT ONLY

INSIDE WALL DIMENSIONS



|                                  |                                 |  |  |  |
|----------------------------------|---------------------------------|--|--|--|
| Coating (Int):<br>Coating (Ext): | Seam Up: Tongue<br>Seam Dn: n/a | Wall Thickness: 5"<br>Floor Height: 6" | Height (Int): 32"<br>Height (Ext): 38" | Weight (Net): 3374 lb<br>Volume (Net): 0.86cu.yd |
|----------------------------------|---------------------------------|--|--|--|