

Job Name: 25-1511 Halfhill Estates Ph.3
Job Location: Nicholasville, KY
Contractor: Perdue Environmental Contracting Co., Inc.

PC: J. Jarvis
 TECH: J. Horsley
 Plant: Beaver Dam



Structure ID: **MH 2402**
 Spec: Storm-Pipe Centered
 Type: STM.MH (Recessed pipe)
 Size: 48"

Rim: 889.6'
 Invert: 882.98'
 Rim to Invert: 6.62'

Sump: 0"
 Floor (Top): 882.98'
 Floor Height: 6"

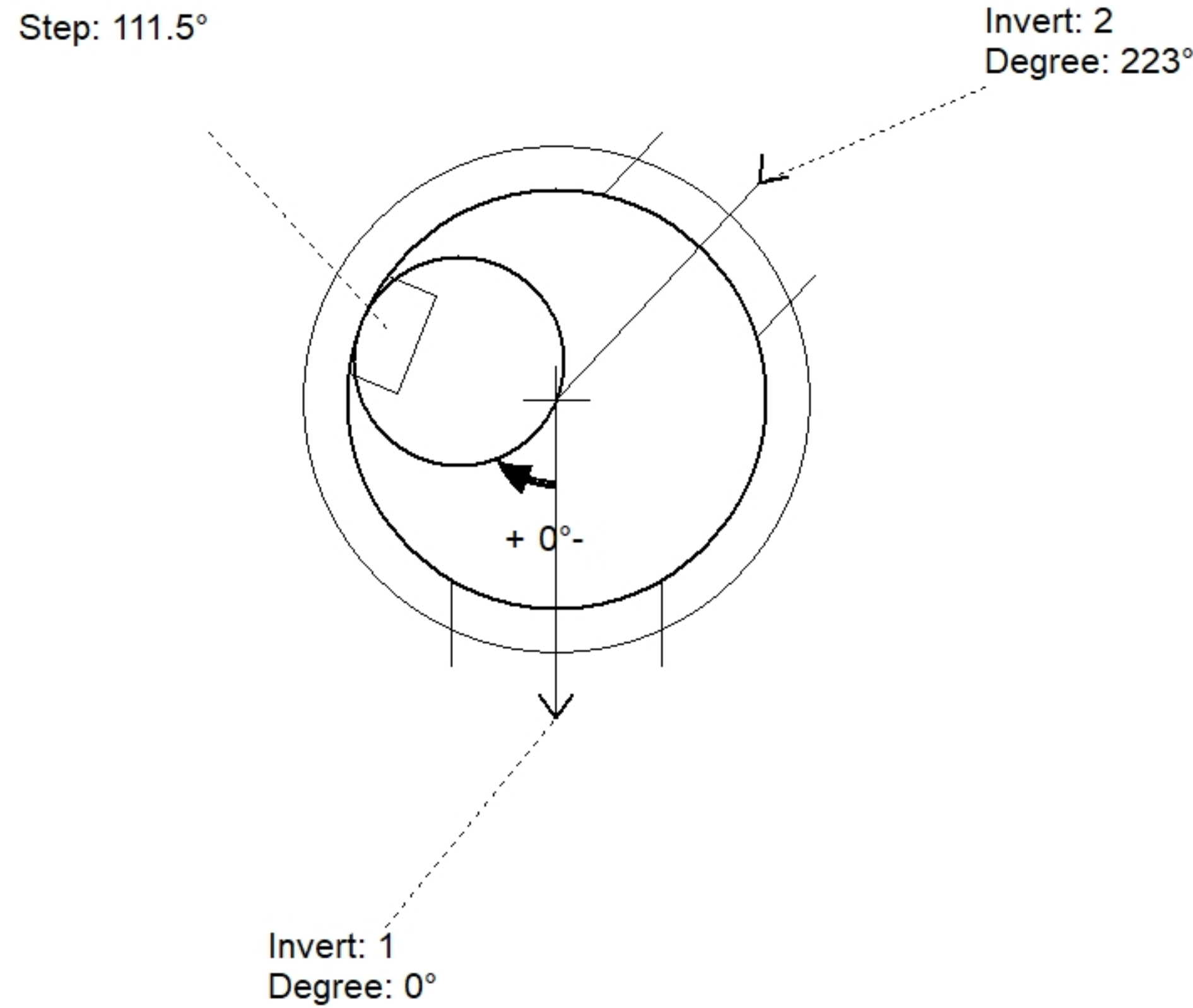
Floor (Bot): 882.48'
 Overall Height: 7.083'
 Slack: 0.44"

Structure Notes:

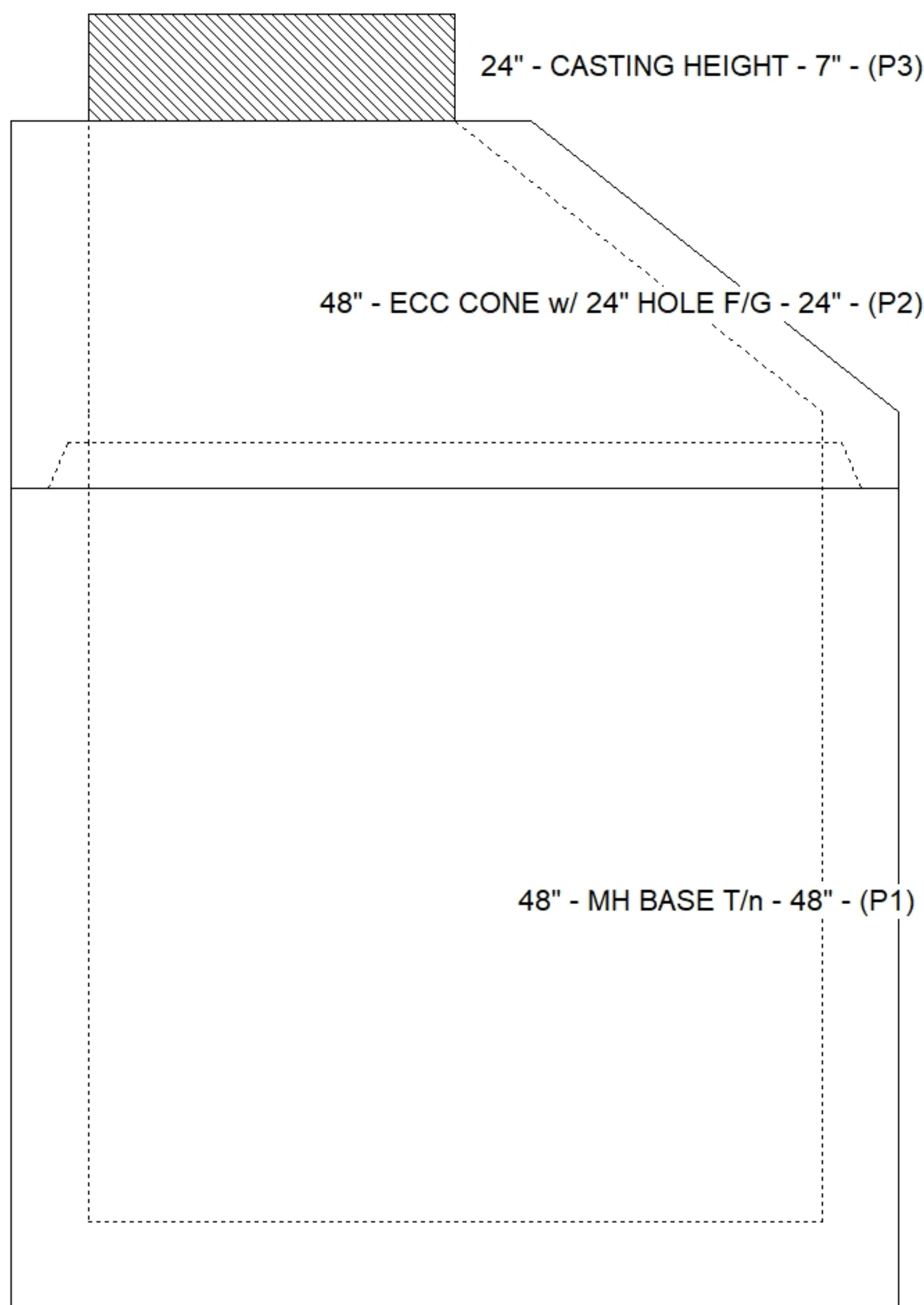
- ** KYTC STATE PROJECT **
- PER KYTC CBI TYPE A / ASTM C913 SPEC'S.
 - CONCRETE = 4,000 PI AT 28 DAYS.
 - CASTING BY ICAST (HOE MS-350 F/C)
- REINFORCING PER ASTM A615 (GRADE 60).
 - CONE/RISER (As .12).
 - FLOOR (As .31) #5 BARS AT 12" C.C.E.W.

STRUCTURE SUMMARY:

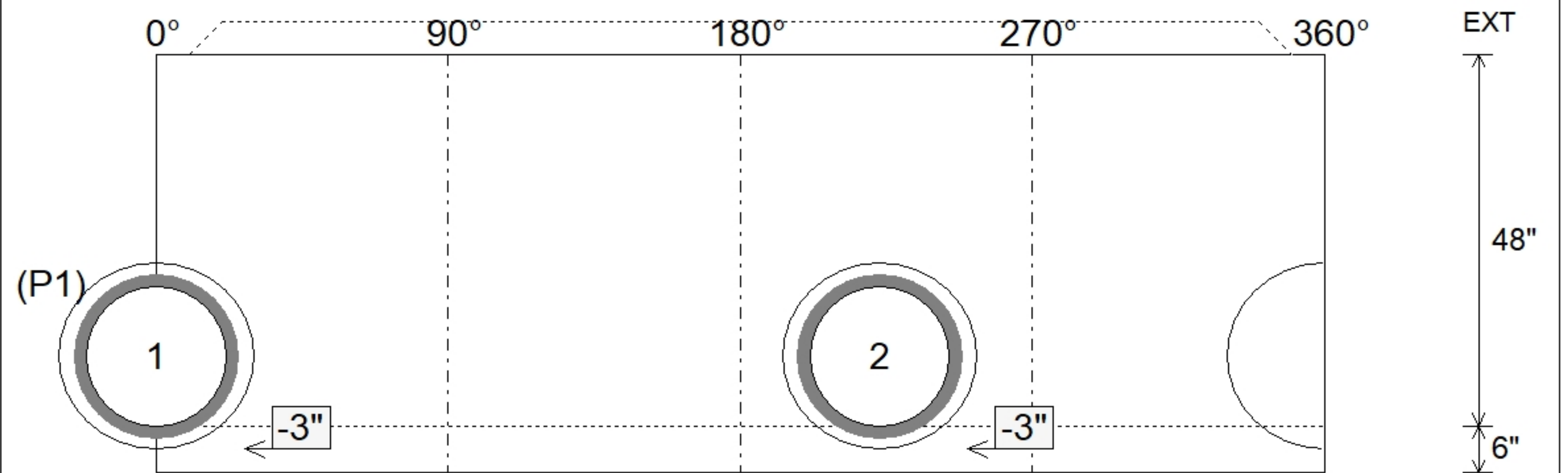
P3) 24" - CASTING HEIGHT - 7"	0 lb
P2) 48" - ECC CONE w/ 24" HOLE F/G - 24"	1550 lb
P1) 48" - MH BASE T/n - 48"	4289 lb
1) CASTING - HOE MC-350 F/C Storm	305 lb
1) 48" - Conseal CS-102 1.00"	0 lb
2) Hole - 24	0 lb
6) MH Step ML-10-TDS-NCR - 10"	0 lb
Structure Total:	6144 lb



Position	Elev	Angle	Pipe	Pipe OD	Hole	Connector	Up ()	Ref
Rim	889.6'							
Reducer								
Invert 1	882.98'	0°	18" HDPE	21.2"	24"	Hole 24	-3"	P1
Invert 2	882.98'	223°	18" HDPE	21.2"	24"	Hole 24	-3"	P1
Invert 3								
Invert 4								
Invert 5								
Invert 6								
Invert 7								
Invert 8								



Cast (Int. Dim.) - Interior Dimensions



Submittal Drawing
 12/16/2025 4:34:52 PM

SUBMITTAL
 APPROVED BY: