

Job Name: 25-1511 Halfhill Estates Ph.3
 Job Location: Nicholasville, KY
 Contractor: Perdue Environmental Contracting Co., Inc.

Plant: Beaver Dam
 12/16/2025 4:37:03 PM

Tech: J. Horsley
 PC: J. Jarvis



Structure ID: MH 2402

P2 MH048CN24

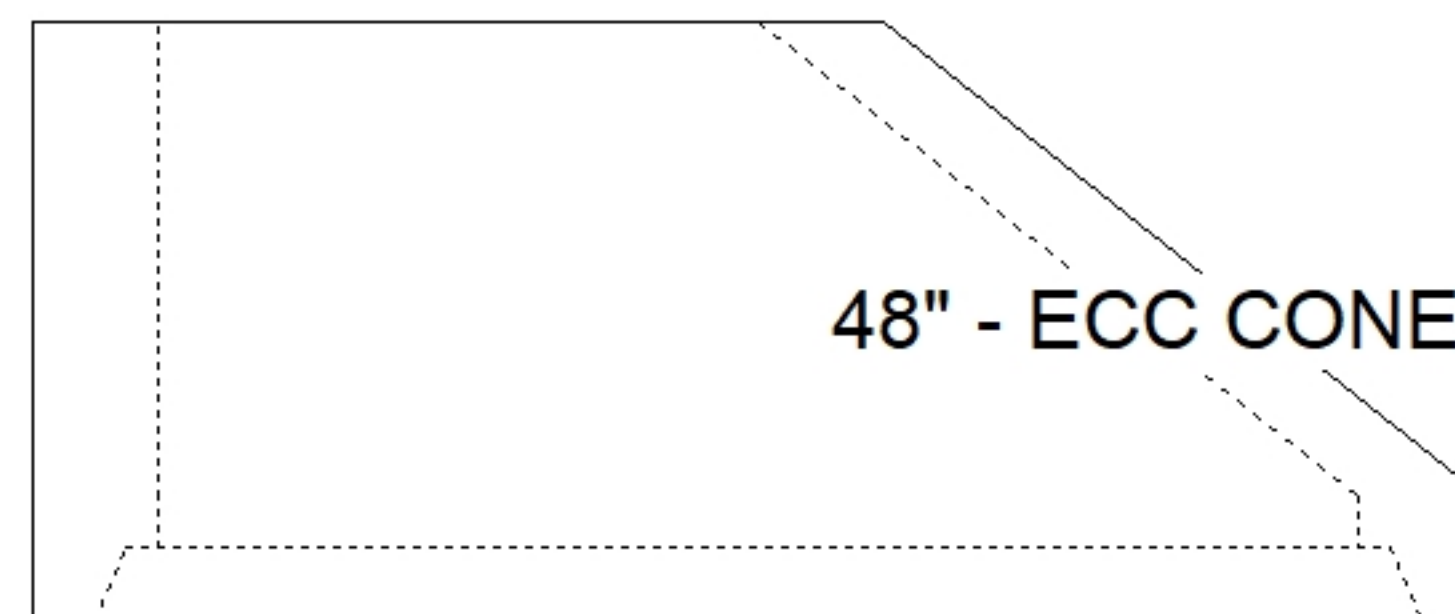
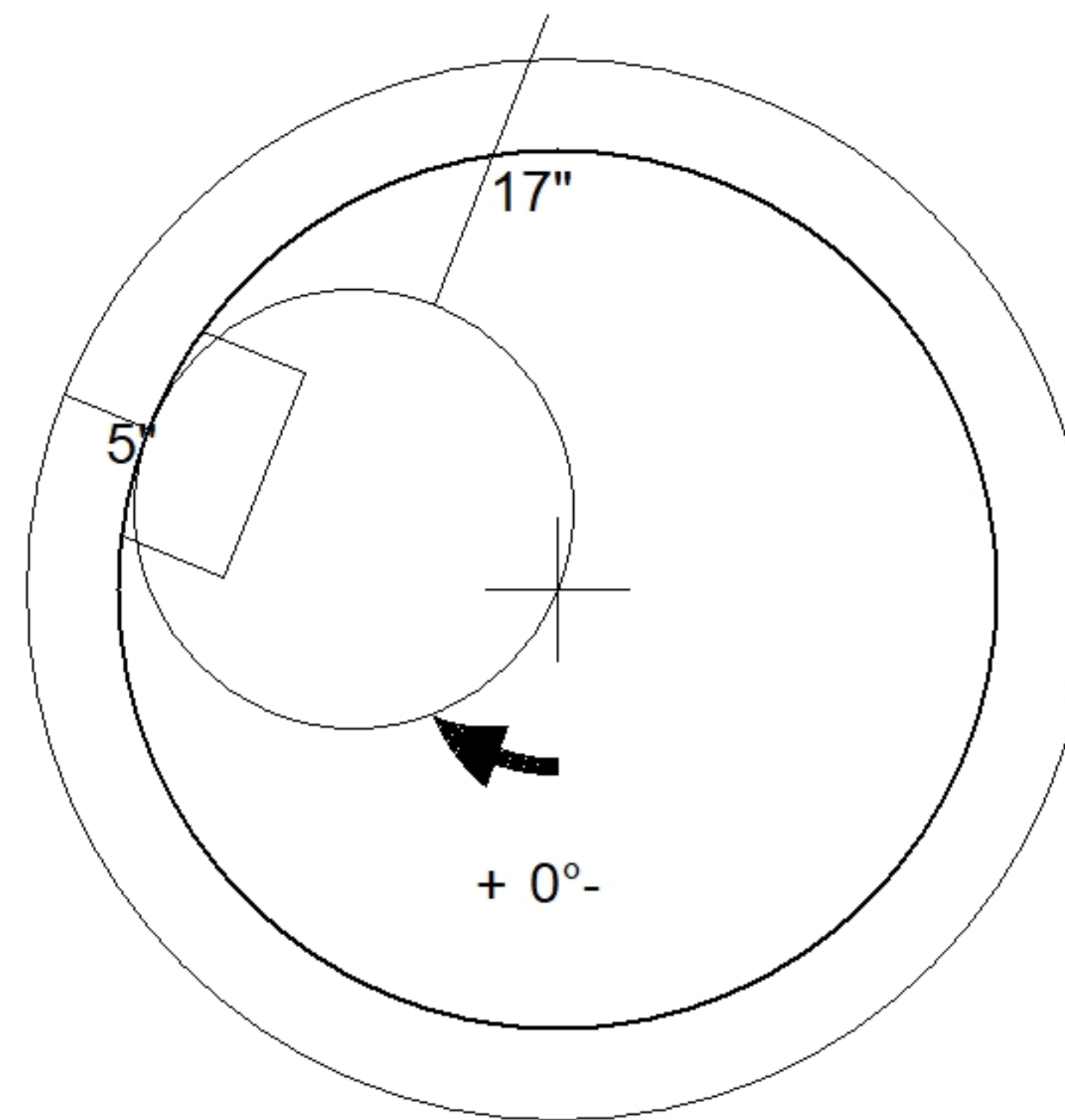
ECC CONE w/ 24" HOLE F/G

- P3) 24" - CASTING HEIGHT - 7"
- P2) 48" - ECC CONE w/ 24" HOLE F/G - 24"
- P1) 48" - MH BASE T/n - 48"
- 1) CASTING - HOE MC-350 F/C Storm
- 1) 48" - Conseal CS-102 1.00"
- 2) Hole - 24"
- 6) MH Step ML-10-TDS-NCR - 10"

	0 lb
	1550 lb
	4289 lb
	305 lb
	0 lb
	0 lb
	0 lb
Structure Total:	6144 lb

Structure Notes:
 ** KYTC STATE PROJECT **
 1. PER KYTC CBI TYPE A / ASTM C913 SPEC'S.
 2. CONCRETE = 4,000 PI AT 28 DAYS.
 3. CASTING BY ICAST (HOE MS-350 F/C)

REINFORCING PER ASTM A615 (GRADE 60).
 - CONE/RISER (As .12).
 - FLOOR (As .31) #5 BARS AT 12" C.C.E.W.



Coating (Int):	Seam Up: Flat	Wall Thickness: 5"	Height (Ext): 24"	Weight (Net): 1550 lb
Coating (Ext):	Seam Dn: Groove			Volume (Net): 0.33cu.yd