

Job Name: 25-1511 Halfhill Estates Ph.3
Job Location: Nicholasville, KY
Contractor: Perdue Environmental Contracting Co., Inc.

PC: J. Jarvis
 TECH: J. Horsley
 Plant: Beaver Dam



Structure ID: **MH 1910**
 Spec: Storm-Pipe Centered
 Type: STM.MH (Recessed pipe)
 Size: 48"

Rim: 900.73'
 Invert: 891.68'
 Rim to Invert: 9.05'

Sump: 0"
 Floor (Top): 891.68'
 Floor Height: 6"

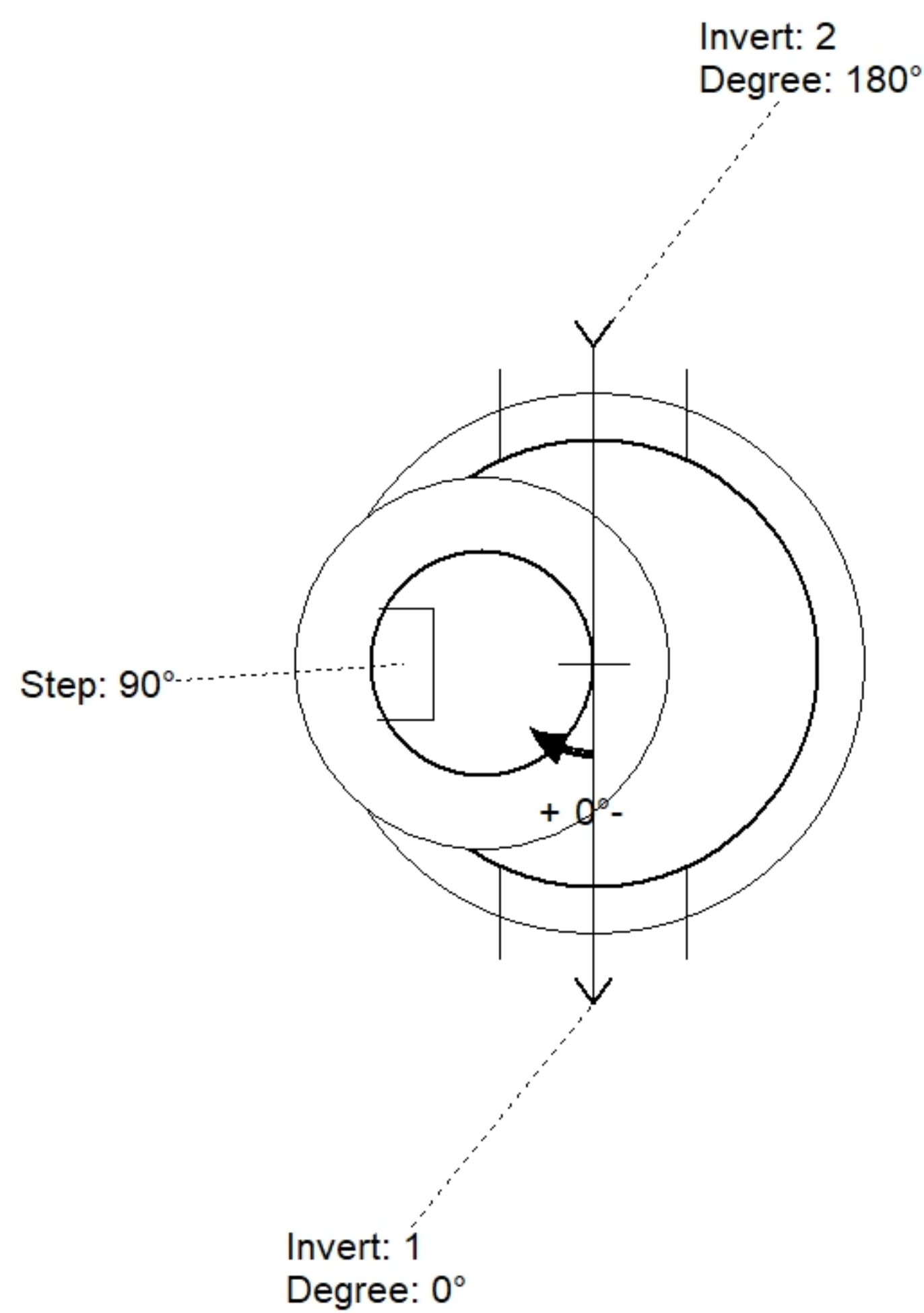
Floor (Bot): 891.18'
 Overall Height: 9.5'
 Slack: 0.6"

Structure Notes:

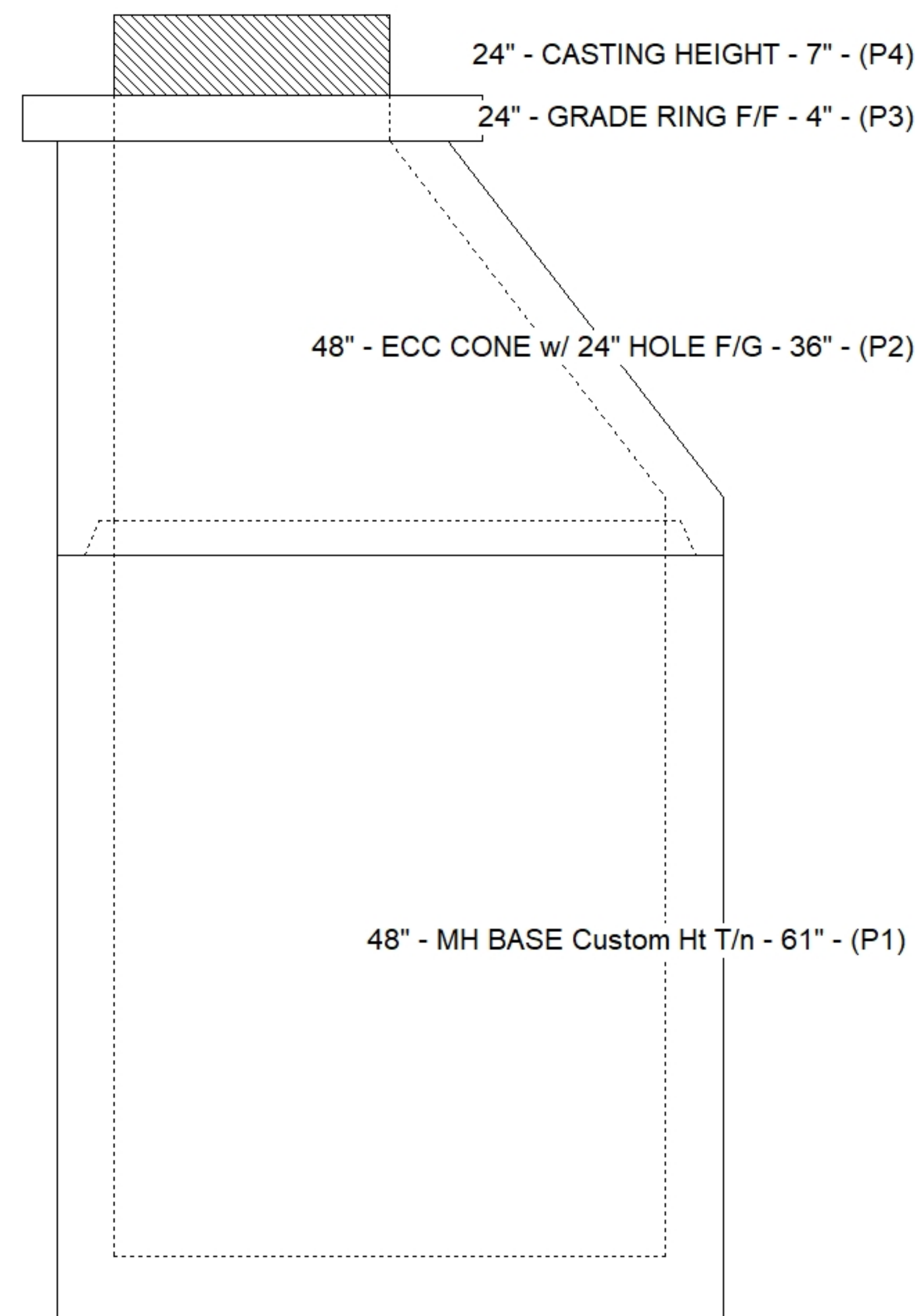
- ** KYTC STATE PROJECT **
- PER KYTC CBI TYPE A / ASTM C913 SPEC'S.
 - CONCRETE = 4,000 PI AT 28 DAYS.
 - NO INVERT CHANNEL.
- REINFORCING PER ASTM A615 (GRADE 60).
 - CONE/RISER (As .12)
 - FLOOR (As .31) #5 BARS AT 12" C.C.E.W.

STRUCTURE SUMMARY:

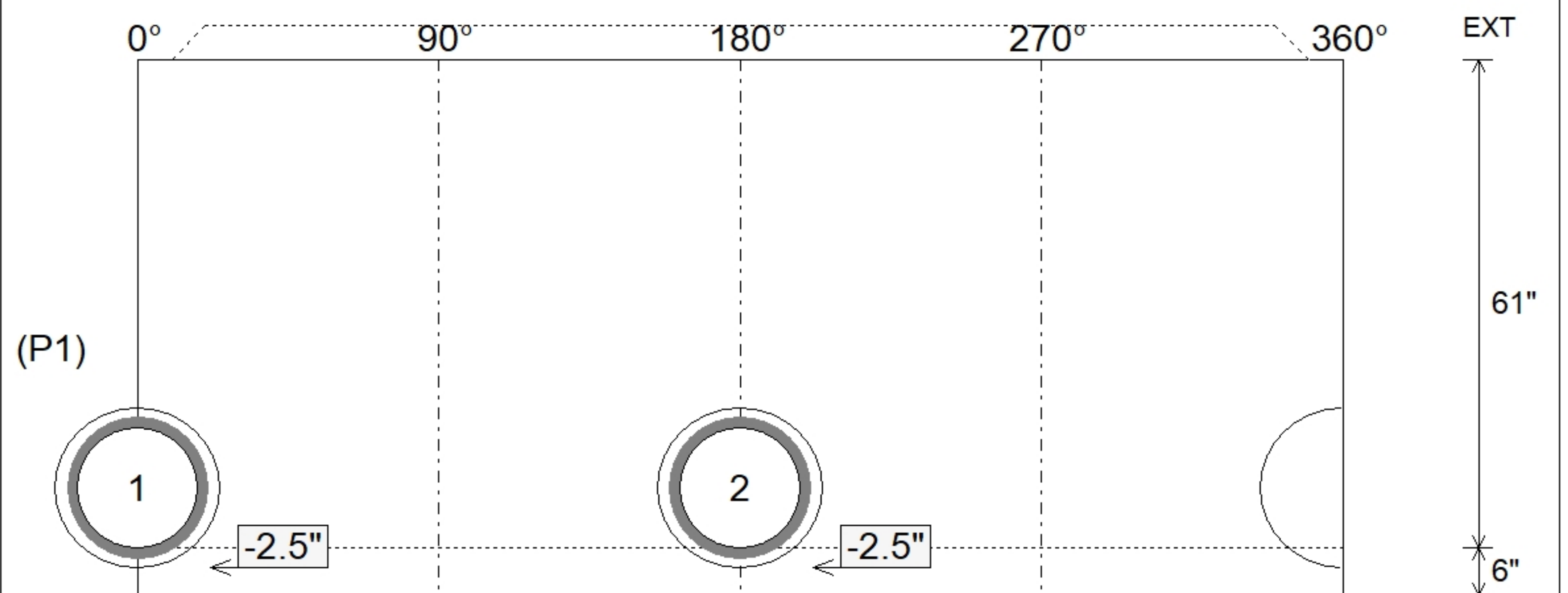
P4) 24" - CASTING HEIGHT - 7"	0 lb
P3) 24" - GRADE RING F/F - 4"	270 lb
P2) 48" - ECC CONE w/ 24" HOLE F/G - 36"	3000 lb
P1) 48" - MH BASE Custom Ht T/n - 61"	5321 lb
1) CASTING - HOE KY-206 F/C (KY TY1)	206 lb
1) 48" - Conseal CS-102 1.00"	0 lb
2) Hole - 20	0 lb
8) MH Step ML-10-TDS-NCR - 10"	0 lb
Structure Total:	8797 lb



Position	Elev	Angle	Pipe	Pipe OD	Hole	Connector	Up ()	Ref
Rim	900.73'							
Reducer								
Invert 1	891.68'	0°	15" HDPE	17.6"	20"	Hole 20	-2.5"	P1
Invert 2	891.68'	180°	15" HDPE	17.6"	20"	Hole 20	-2.5"	P1
Invert 3								
Invert 4								
Invert 5								
Invert 6								
Invert 7								
Invert 8								



Cast (Int. Dim.) - Interior Dimensions



Submittal Drawing
 12/16/2025 4:34:47 PM

SUBMITTAL
 APPROVED BY: