

Job Name: 25-1511 Halfhill Estates Ph.3
 Job Location: Nicholasville, KY
 Contractor: Perdue Environmental Contracting Co., Inc.

Plant: Beaver Dam
 12/16/2025 4:37:02 PM

Tech: J. Horsley
 PC: J. Jarvis



Structure ID: MH 1910

P2 MH048CN36

ECC CONE w/ 24" HOLE F/G

- P4) 24" - CASTING HEIGHT - 7"
- P3) 24" - GRADE RING F/F - 4"
- P2) 48" - ECC CONE w/ 24" HOLE F/G - 36"
- P1) 48" - MH BASE Custom Ht T/n - 61"
- 1) CASTING - HOE KY-206 F/C (KY TY1)
- 1) 48" - Conseal CS-102 1.00"
- 2) Hole - 20
- 8) MH Step ML-10-TDS-NCR - 10"

0 lb
 270 lb
 3000 lb
 5321 lb
 206 lb
 0 lb
 0 lb
 0 lb

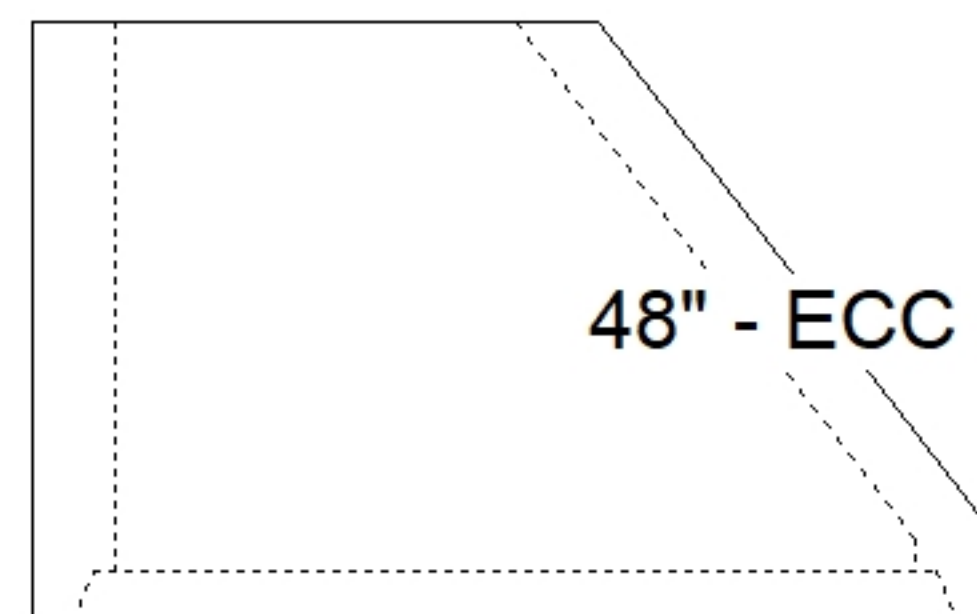
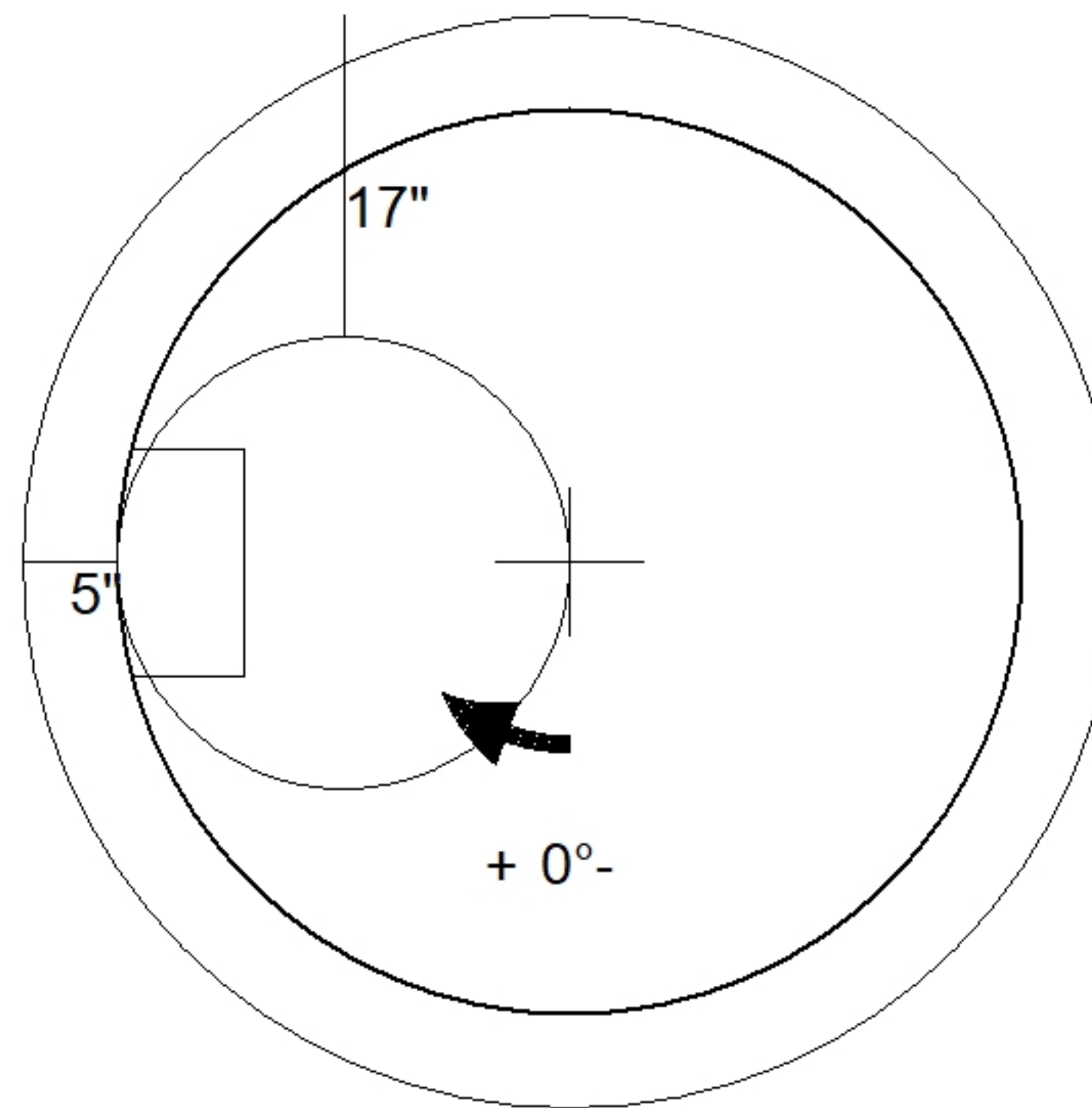
 0 lb

Structure Total: 8797 lb

Structure Notes:

- ** KYTC STATE PROJECT ****
1. PER KYTC CBI TYPE A / ASTM C913 SPEC'S.
 2. CONCRETE = 4,000 PI AT 28 DAYS.
 3. NO INVERT CHANNEL.

REINFORCING PER ASTM A615 (GRADE 60).
 - CONE/RISER (As .12)
 - FLOOR (As .31) #5 BARS AT 12" C.C.E.W.



48" - ECC CONE w/ 24" HOLE F/G - 36" - (P2)

Coating (Int):
 Coating (Ext):

Seam Up: Flat
 Seam Dn: Groove

Wall Thickness: 5"

Height (Ext): 36"

Weight (Net): 3000 lb
 Volume (Net): 0.5cu.yd