

Job Name: 25-1511 Halfhill Estates Ph.3
Job Location: Nicholasville, KY
Contractor: Perdue Environmental Contracting Co., Inc.

PC: J. Jarvis
 TECH: J. Horsley
 Plant: Beaver Dam



Structure ID: **MH 1905**
 Spec: Storm-Pipe Centered
 Type: STM.MH
 Size: 48"

Rim: 888.61'
 Invert: 880.31'
 Rim to Invert: 8.3'

Sump: 3"
 Floor (Top): 880.06'
 Floor Height: 6"

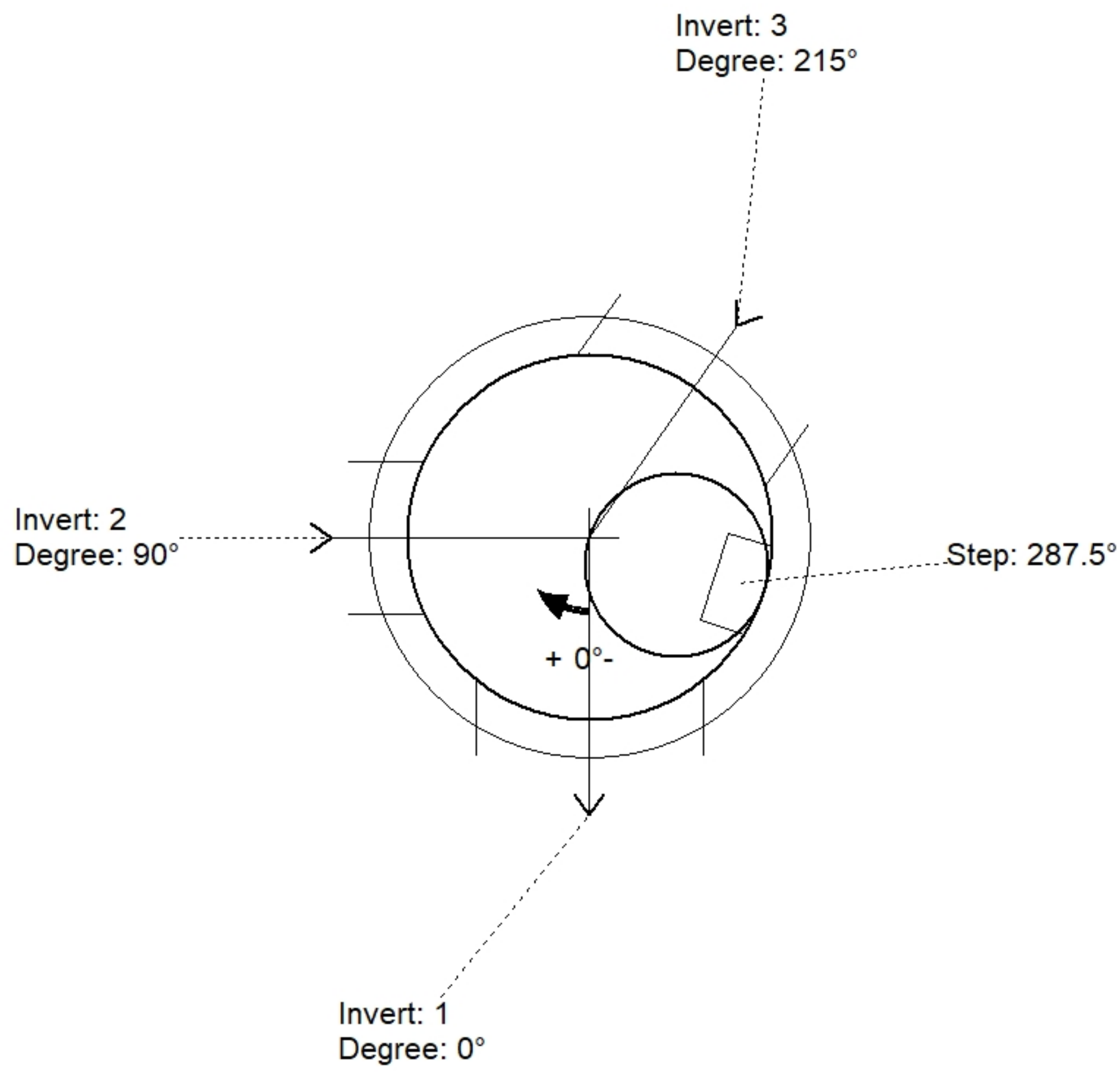
Floor (Bot): 879.56'
 Overall Height: 9'
 Slack: 0.6"

Structure Notes:

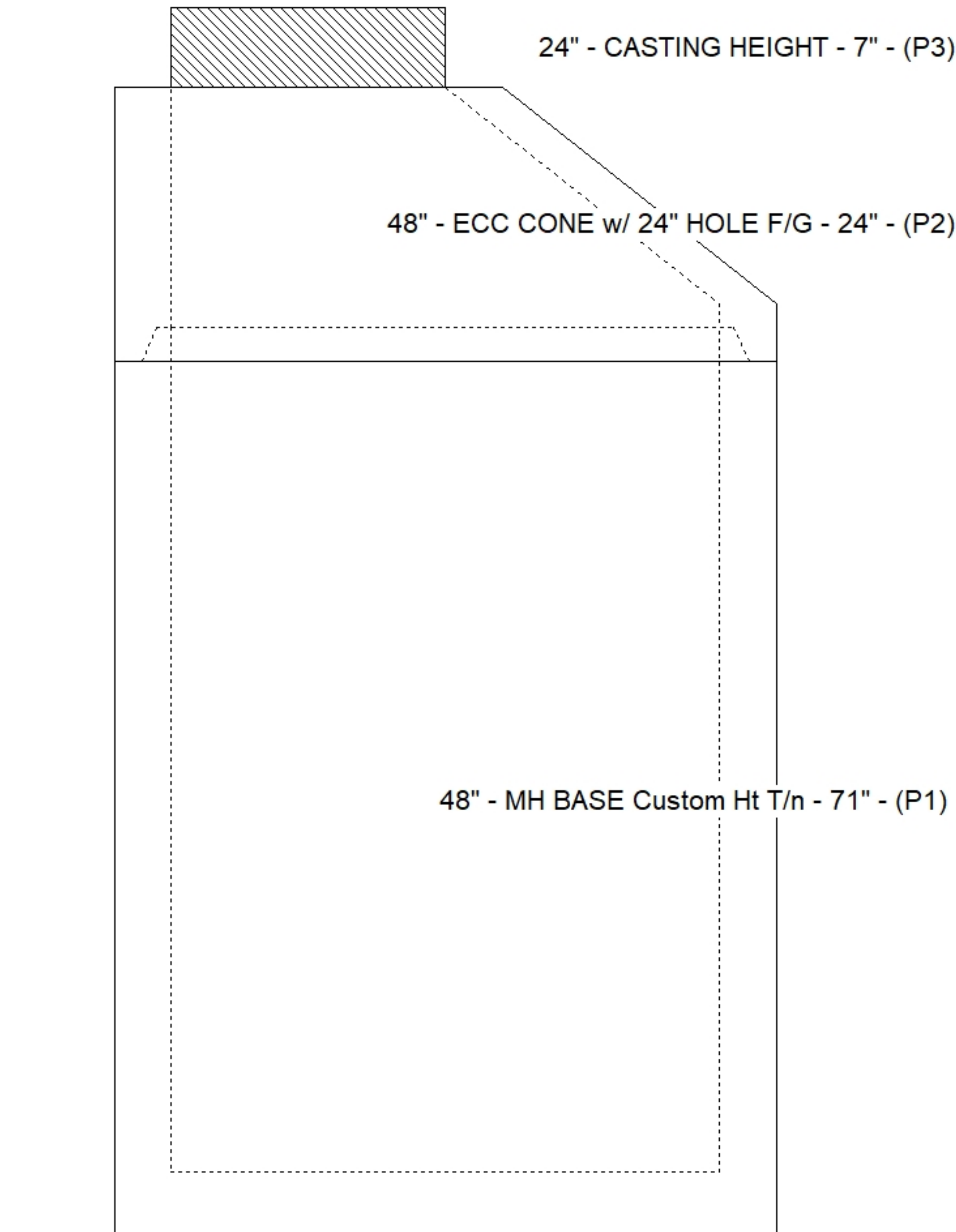
- ** KYTC STATE PROJECT **
- PER KYTC CBI TYPE A / ASTM C913 SPEC'S.
 - CONCRETE = 4,000 PI AT 28 DAYS.
 - NO INVERT CHANNEL.
 - CASTING BY ICAST (HOE MC-350 F/C).
- REINFORCING PER ASTM A615 (GRADE 60).
 - CONE/RISER (As .12)
 - FLOOR (As .31) #5 BARS AT 12" C.C.E.W.

STRUCTURE SUMMARY:

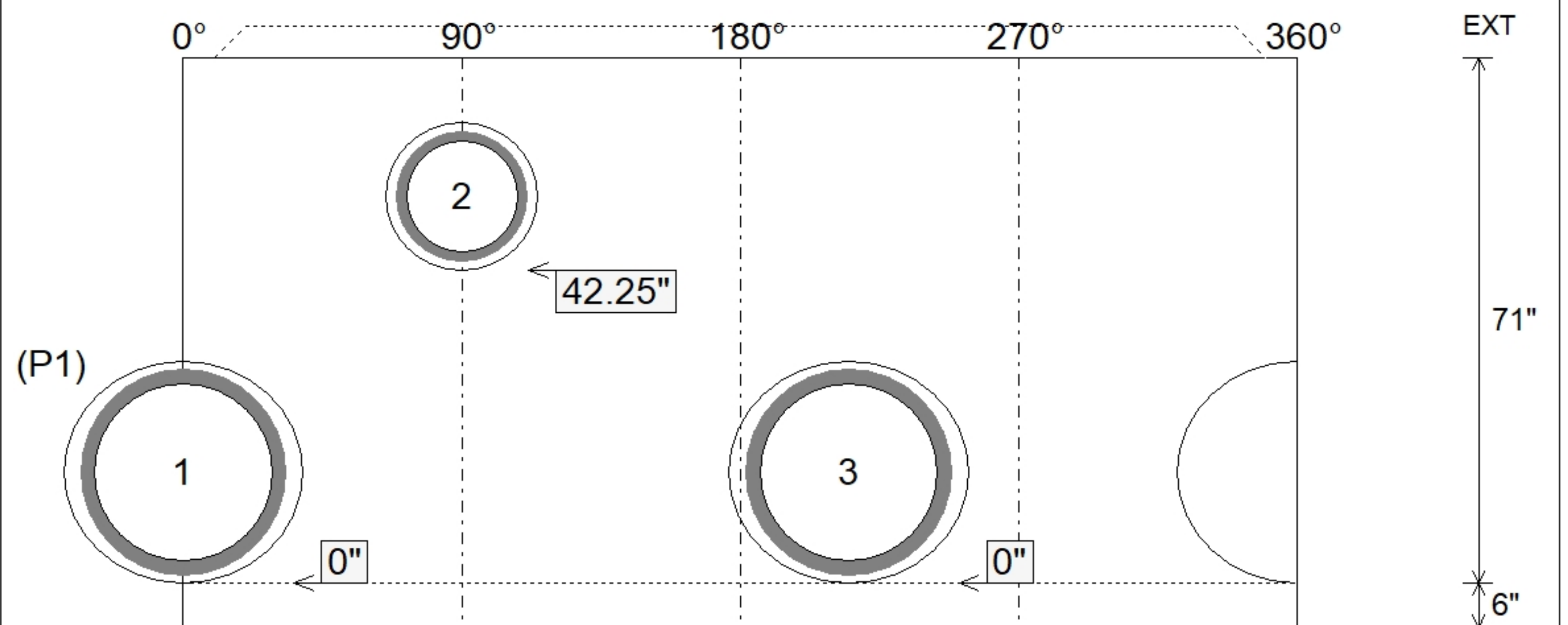
P3) 24" - CASTING HEIGHT - 7"	0 lb
P2) 48" - ECC CONE w/ 24" HOLE F/G - 24"	1550 lb
P1) 48" - MH BASE Custom Ht T/n - 71"	5523 lb
1) CASTING - HOE KY-206 F/C (KY TY1)	206 lb
1) 48" - Conseal CS-102 1.00"	0 lb
2) Hole - 30	0 lb
1) Hole - 20	0 lb
8) MH Step ML-10-TDS-NCR - 10"	0 lb
Structure Total:	7279 lb



Position	Elev	Angle	Pipe	Pipe OD	Hole	Connector	Up (")	Ref
Rim	888.61'							
Reducer								
Invert 1	880.31'	0°	24" HDPE	27.8"	30"	Hole 30	0"	P1
Invert 2	883.79'	90°	15" HDPE	17.6"	20"	Hole 20	42.25"	P1
Invert 3	880.31'	215°	24" HDPE	27.8"	30"	Hole 30	0"	P1
Invert 4								
Invert 5								
Invert 6								
Invert 7								
Invert 8								



Cast (Int. Dim.) - Interior Dimensions



Submittal Drawing
 12/16/2025 4:34:45 PM

SUBMITTAL
 APPROVED BY: