

Job Name: 25-1511 Halfhill Estates Ph.3  
 Job Location: Nicholasville, KY  
 Contractor: Perdue Environmental Contracting Co., Inc.

Plant: Beaver Dam  
 12/16/2025 4:37:01 PM

Tech: J. Horsley  
 PC: J. Jarvis



**Structure ID: MH 1905**

**P2 MH048CN24**

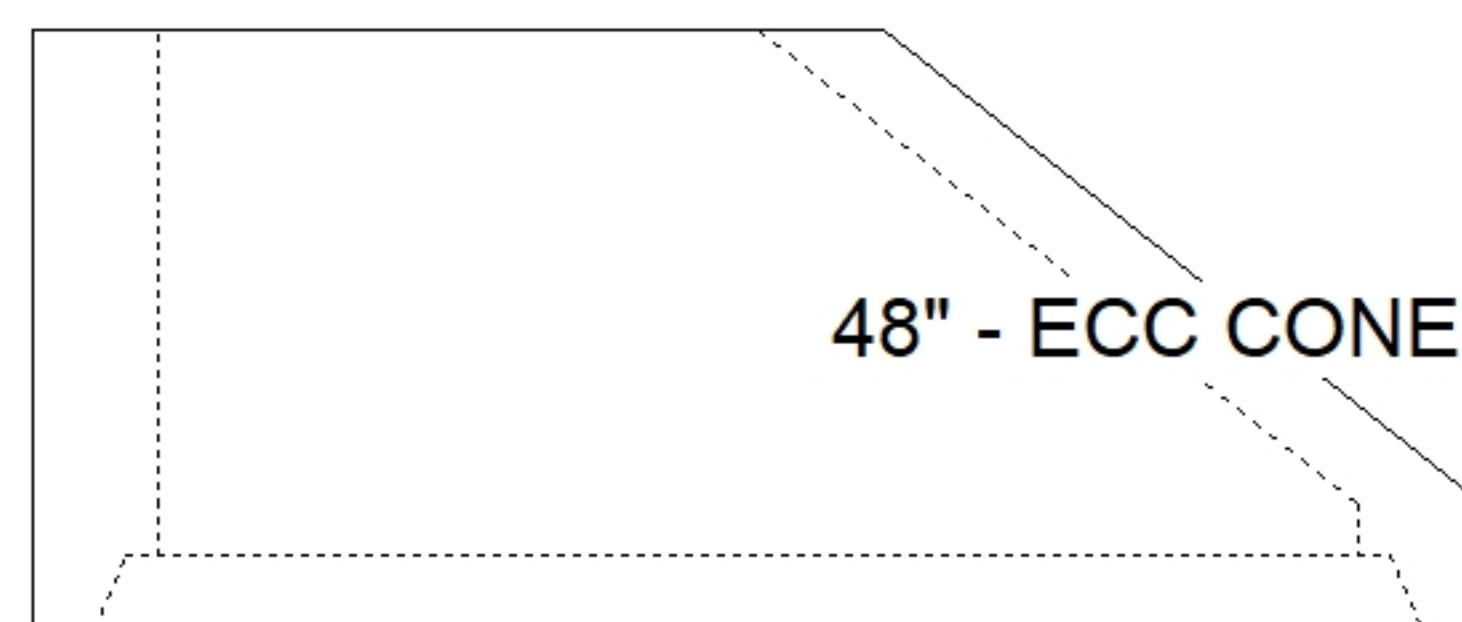
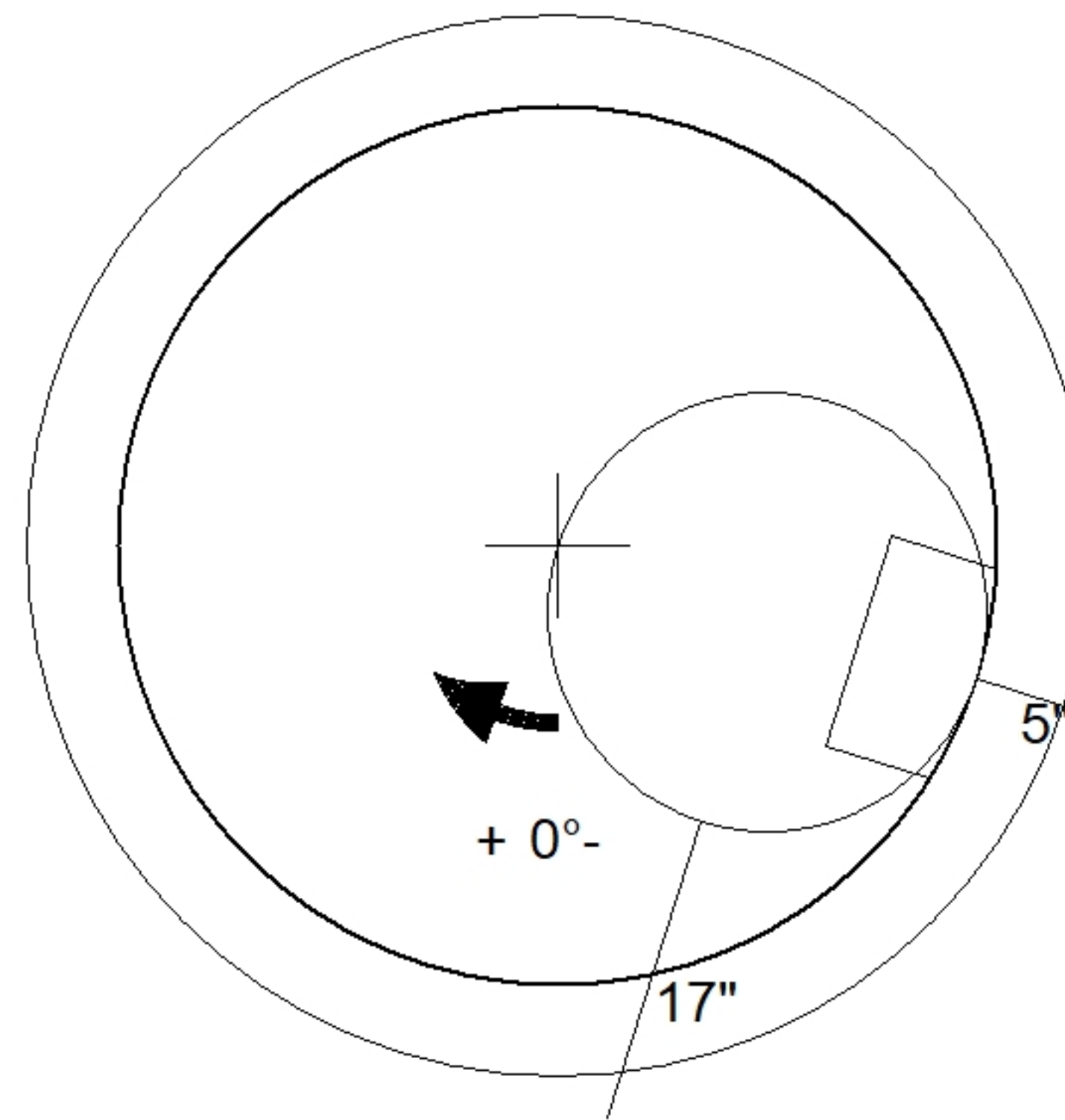
**ECC CONE w/ 24" HOLE F/G**

- P3) 24" - CASTING HEIGHT - 7"
- P2) 48" - ECC CONE w/ 24" HOLE F/G - 24"
- P1) 48" - MH BASE Custom Ht T/n - 71"
- 1) CASTING - HOE KY-206 F/C (KY TY1)
- 1) 48" - Conseal CS-102 1.00"
- 2) Hole - 30
- 1) Hole - 20
- 8) MH Step ML-10-TDS-NCR - 10"

0 lb  
 1550 lb  
 5523 lb  
 206 lb  
 0 lb  
 0 lb  
 0 lb  
 0 lb  
 0 lb

Structure Total: 7279 lb

Structure Notes:  
 \*\* KYTC STATE PROJECT \*\*  
 1. PER KYTC CBI TYPE A / ASTM C913 SPEC'S.  
 2. CONCRETE = 4,000 PI AT 28 DAYS.  
 3. NO INVERT CHANNEL.  
 4. CASTING BY ICAST (HOE MC-350 F/C).  
  
 REINFORCING PER ASTM A615 (GRADE 60).  
 - CONE/RISER (As .12)  
 - FLOOR (As .31) #5 BARS AT 12" C.C.E.W.



48" - ECC CONE w/ 24" HOLE F/G - 24" - (P2)

Coating (Int): Coating (Ext):	Seam Up: Flat Seam Dn: Groove	Wall Thickness: 5"	Height (Ext): 24"	Weight (Net): 1550 lb Volume (Net): 0.33cu.yd
----------------------------------	----------------------------------	--------------------	-------------------	--