

**Structure ID: MH 1905**

**P1 MH048BAVF**

**MH BASE Custom Ht T/n**

P3) 24" - CASTING HEIGHT - 7" P2) 48" - ECC CONE w/ 24" HOLE F/G - 24" P1) 48" - MH BASE Custom Ht T/n - 71" 1) CASTING - HOE KY-206 F/C (KY TY1) 1) 48" - Conseal CS-102 1.00" 2) Hole - 30 1) Hole - 20 8) MH Step ML-10-TDS-NCR - 10"	0 lb 1550 lb 5523 lb 206 lb 0 lb 0 lb 0 lb 0 lb 0 lb	Structure Total: 7279 lb
---	--	--------------------------

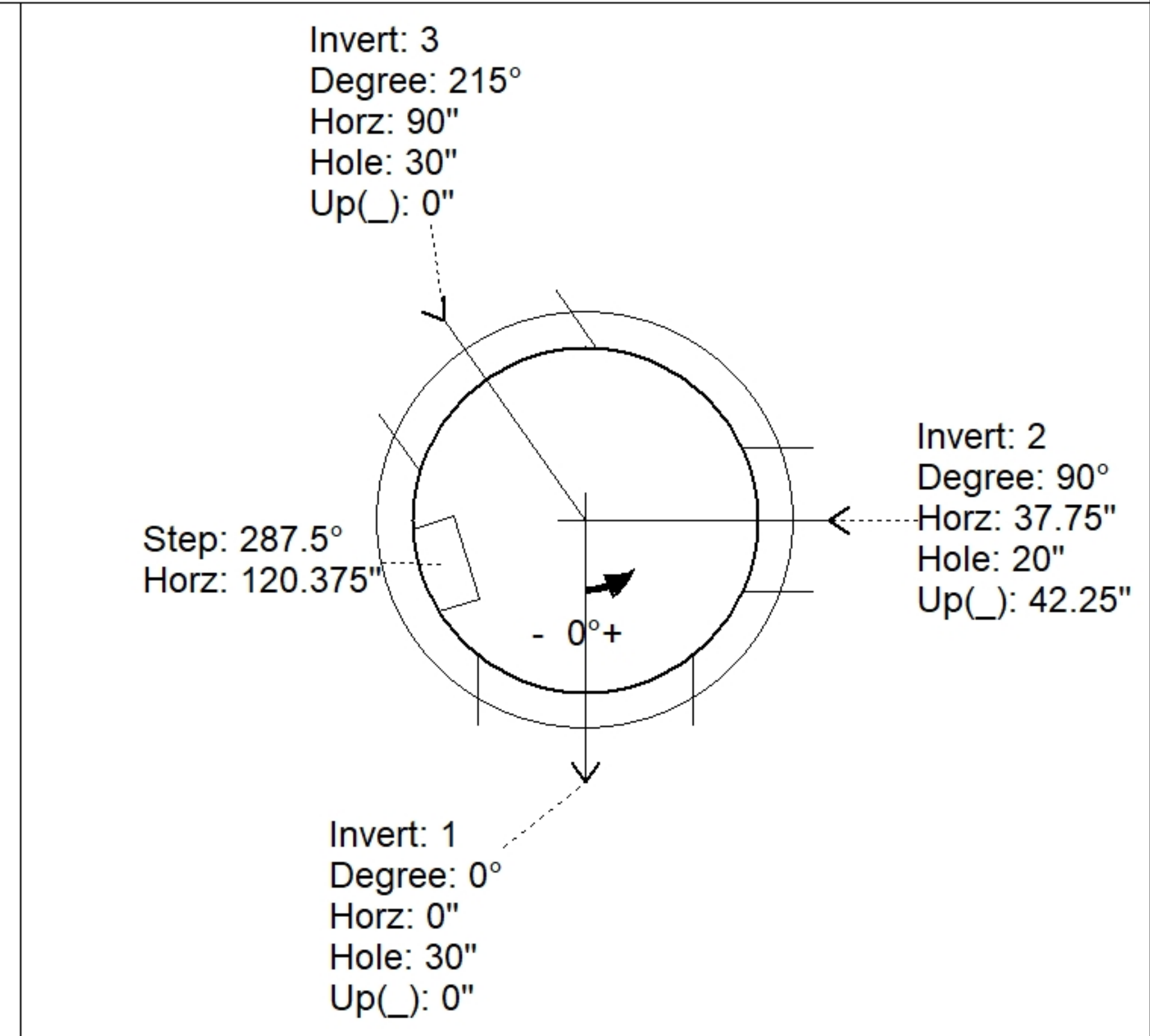
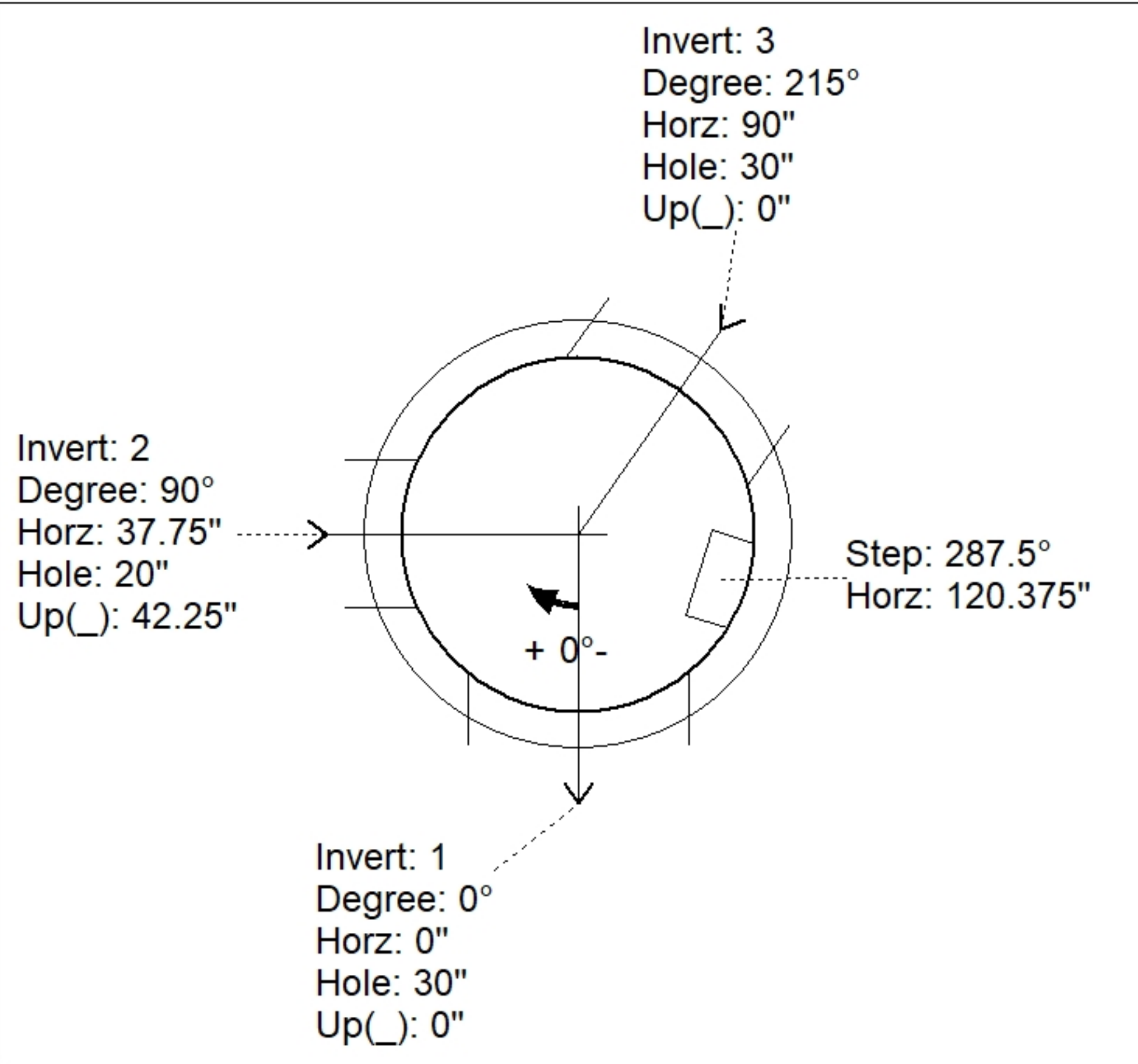
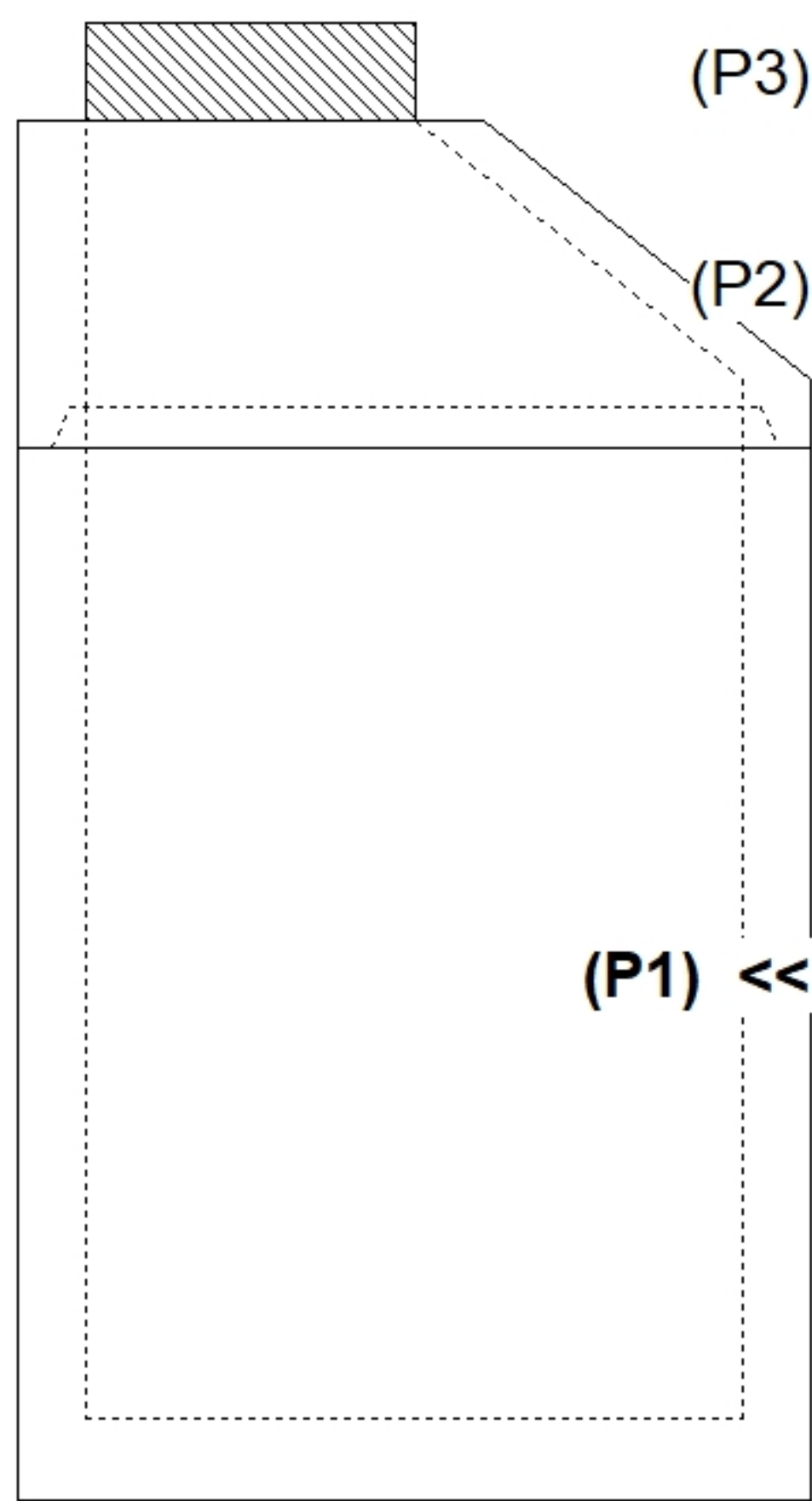
**Structure Notes:**  
 \*\* KYTC STATE PROJECT \*\*  
 1. PER KYTC CBI TYPE A / ASTM C913 SPEC'S.  
 2. CONCRETE = 4,000 PI AT 28 DAYS.  
 3. NO INVERT CHANNEL.  
 4. CASTING BY ICAST (HOE MC-350 F/C).  
  
 REINFORCING PER ASTM A615 (GRADE 60).  
 - CONE/RISER (As .12)  
 - FLOOR (As .31) #5 BARS AT 12" C.C.E.W.

Rim: 888.61'    Rim to Invert: 8.3'    Slack: 0.6"    Sump: 3"    Step Position: 287.5°

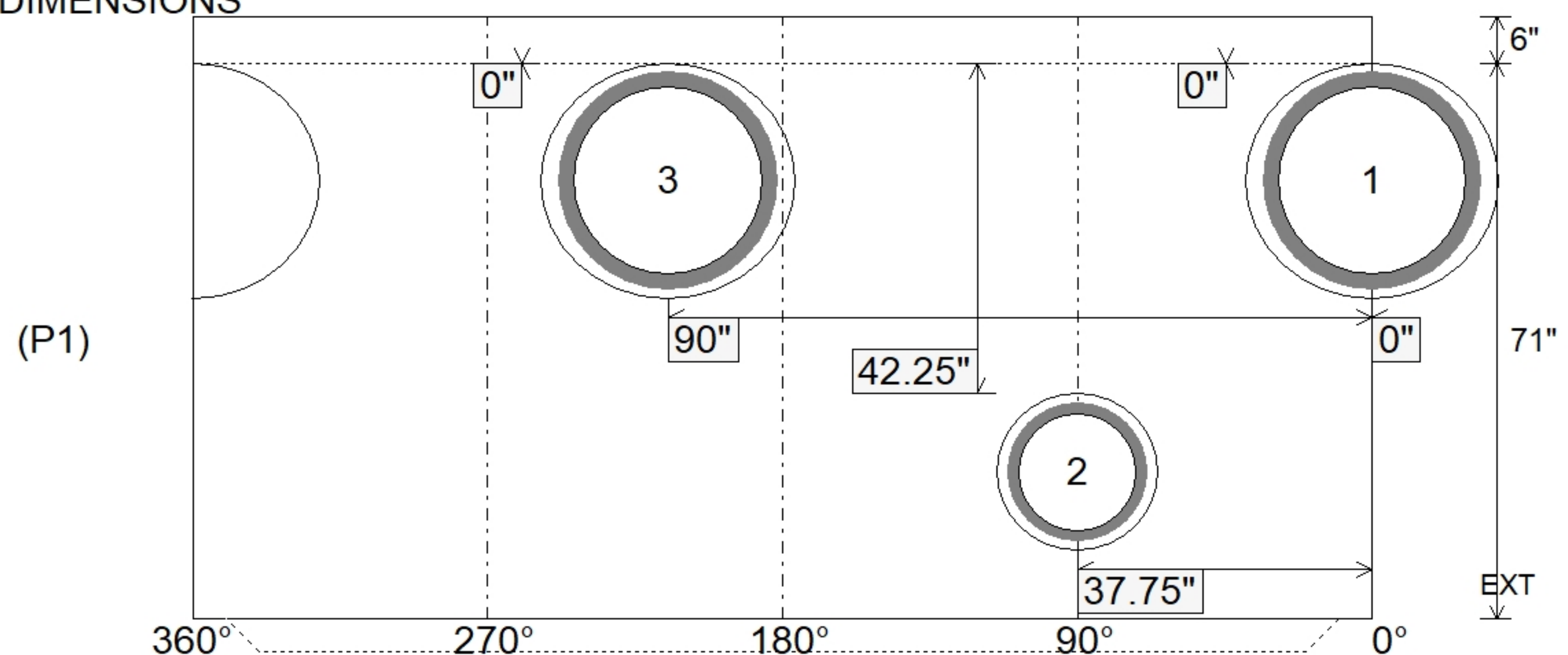
Position	Elev	Angle	Ext. (cw)	Pipe	Pipe OD	Connector	Hole	Horz Size	Up ( )	Offset
Invert 1	880.31'	0°	0"	24" HDPE	27.8"	Hole 30	30"	32.406"	0"	0"
Invert 2	883.79'	90°	45.5"	15" HDPE	17.6"	Hole 20	20"	20.629"	42.25"	0"
Invert 3	880.31'	215°	108.875"	24" HDPE	27.8"	Hole 30	30"	32.406"	0"	0"
Invert 4										
Invert 5										
Invert 6										
Invert 7										
Invert 8										

RIGHT-SIDE UP VIEW (int. dimensions)

UPSIDE-DOWN VIEW (int. dimensions)



INSIDE WALL DIMENSIONS



Coating (Int): Coating (Ext):	Seam Up: Tongue Seam Dn: n/a	Wall Thickness: 5" Floor Height: 6"	Height (Int): 71" Height (Ext): 77"	Weight (Net): 5523 lb Volume (Net): 1.41cu.yd
----------------------------------	---------------------------------	--	--	--